

# ***GENERAL PURPOSE ENGINE***

**GD410  
GD411**

**PARTS CATALOGUE**

**8**



GD410



GD411

---

FOREWORD INDEX

**1**

---

ENGINE GROUP

**2**

---

PART NUMBER INDEX

**3**

---

PART NAME INDEX

**4**

---



**Instruction for use of parts catalogue**

- **This parts catalogue was prepared based on the latest information available as of April 10, 2002.**
- See the parts catalogue news for any revision that is made after April 10, 2002.
- **Always specify the part number when ordering a part.**
- Check the model, type, serial numbers, color, maker, and the size as needed before ordering a part.
- Note that the illustrations (part drawings) can differ from the actual parts in shape. They are given just to help you to refer to the parts.
- **When modifications or additions to this parts catalogue are made, a revised edition will be issued at an appropriate time, with successively progressing revision numbers on the cover. We recommend obtaining such revisions in order to keep your parts catalogue up-to-date at all times. To check whether a parts catalogue revision has been issued, please contact your Honda distributor.**

Initial version issue date **June 20, 1988**  
**Honda Motor Co., Ltd.**

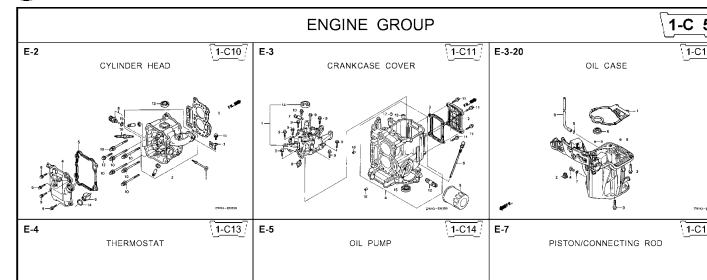
**CONTENTS**

	Page	Address No.	
● How to refer to the part information .....	2	B 2	<b>1</b>
● Part catalogue structure .....	3	B 3	
● When the parts were revised .....	4	B 4	
● Abbreviations used in the parts catalogue.....	4	B 4	
● How to check the part block and serial numbers.....	5	B 5	
● Models, parts catalogue codes and applicable serial numbers .....	6	B 6	
● Features of each type.....	9	B 9	
● Fuel hose, general purpose hoses and vinyl hose.....	16	B16	
● How to use the flat rate time (F.R.T.) .....	17	C 1	
● Illustrated index .....	19	C 3	
● ENGINE GROUP.....	23	D 1	<b>2</b>
● PART NO. INDEX.....	114	J 1	<b>3</b>
● PART NAME INDEX.....	118	K 1	<b>4</b>



How to refer to the part information

A Reference with "Illustrated index"



B Reference with "Part number index"

PART NO. INDEX

Part Number	Address	Page	Ref.	Part Number	Address	Page
06000				15212-ZW9-000	1-C14	3C
06316-ZW9-000	1-G9	88	1	15220-ZW9-003	1-C14	3C
11000				15332-ZW9-000	1-E8	55
11300-ZW9-405	1-C11	27	1	15332-ZW9-A30	1-E11	5E
11300-ZW9-406	1-C11	27	1	15400-PFB-004	1-C11	27
11340-ZW9-000	1-C11	27	2	15422-ZW9-000	1-C14	3C
11342-ZW9-000	1-C11	27	3	15473-881-000	1-C14	3C
11381-ZW9-003	1-C12	28	1	15474-ZW9-000	1-C14	3C
				15611-921-000	1-C10	2E
				15655-ZW9-000	1-C11	27
				16000		
12000				16010-ZV4-005	1-D4	3E
12000-ZW9-405ZA	1-C11	27	4	16011-ZV4-005	1-D4	3E
12155-ZV4-A00	1-C13	29	1	16013-ZW9-003	1-D4	3E
12166-ZW9-000	1-C10	26	1	16016-ZW9-003	1-D4	3E
12209-GB4-681	1-C16	32	1	16016-ZW9-721	1-D4	3E
12210-ZW9-405ZA	1-C10	26	2	16023-ZW9-003	1-D4	3E
12216-ZE2-300	1-E8	55	1	16024-ZV4-650	1-D4	3E
	1-E11	58	1	16028-ZV4-650	1-D4	3E

C Reference with "Part name index"

PART NAME INDEX

Part name	Address	Page	Ref.
[ A ]			
ABSORBER , FUEL	1-E15	62	5
ARMATURE COMP.	1-D11	43	7
ARM COMP. , LINK JOINT	1-G6	85	18
ARM COMP. , SHIFT LINK	1-G6	85	14
ARM COMP. , TILT	1-F15	79	20
ARM , FUEL PUMP ROCKER	1-C16	32	4
ARM , REVERSE LOCK	1-F15	79	18
ARM , SHIFT LINK	1-F11	74	7
ARM , STOPPER	1-D1	33	12
ARM , THROTTLE REMOTE	1-F11	74	6
ARM , VALVE ROCKER	1-C16	32	3
[ B ]			
BAG , TOOL , 160MM	1-G5	84	10
BAND	1-G6	86	37
BAND B1 , WIRE	1-F6	69	1
BAND , CORD	1-F3	67	18
BAND , TUBE CLIP , 11MM	1-E15	63	20
BAND , TUBE CLIP , 12.5MM	1-E15	63	19

Address No. 1-C10

E-2 CYLINDER HEAD

Block No.

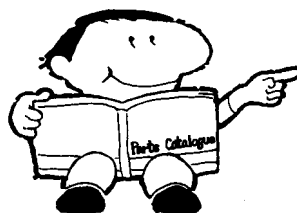
Ref No.

Ref. No.	Part No.	Description	Reqd. QTY						Serial No.	Parts catalogue code
			9901	9901	1001	1001	1001	1001		
1	12166-ZW9-000	STOPPER, ENGINE SIDE	2	2	2	2	2	2		
2	12210-ZW9-000ZA	HEAD COMP., CYLINDER	1	1	1	1	1	1		
3	12251-ZW9-003	GASKET, CYLINDER HEAD	1	1	1	1	1	1		
4	12310-ZW9-000	COVER COMP., HEAD	1	1	1	1	1	1		
5	12312-ZW9-000	PACKINGS, HEAD COVER	1	1	1	1	1	1		
6	15611-921-000	CAP, OIL (NO GAUGE)	1	1	1	1	1	1		
7	16617-ZW9-000	HOLDER, CABLE	1	1	1	1	1	1	SC,SG	
	16617-ZW9-010		1	1	1	1	1	1	1001801 LHC,LHD	
8	35673-ZW5-003	SENSOR ASSY., WATER	1	1	1	1	1	1		
9	90003-ZW9-000	BOLT, FLANGE, 6X22	4	4	4	4	4	4		
10	90007-ZW9-003	BOLT, FLANGE, 8X83	6	6	6	6	6	6		
11	90011-ZW9-000	BOLT, FLANGE, 6X14(CT200)	1	1	1	1	1	1		
12	90020-ZW9-000	BOLT, FLANGE, 8X40	2	2	2	2	2	2		
13	91002-K19-003	OIL SEAL, 20X32X6	1	1	1	1	1	1		
14	91301-805-000	O-RING, 26X2.7	1	1	1	1	1	1		
15	91307-PK2-005	O-RING, 9.5X1.5(HONDA KIKAKI)	1	1	1	1	1	1		
16	98059-55916	PLUG, SPARK (CR5EH-9)	2	2	2	2	2	2		
	98059-55926	PLUG, SPARK (U16FER9)	2	2	2	2	2	2		

2000.09.20 E

Page No.

Part catalogue structure



**3** **E-2** **2** **4** **1**

**CYLINDER HEAD** **1-C10**

Service item	F.R.T.
O-RING, 26X2.7	0.1
PLUG, SPARK	0.2
O-RING, 9.5X1.5	0.2
SENSOR ASSY., WATER TEMPERATURE	0.3
COVER COMP., HEAD	1.8
PACKING, HEAD COVER	2.4
GASKET, CYLINDER HEAD	3.1
OIL SEAL, 20X32X6	
HEAD COMP., CYLINDER	

Ref. No.	Part No.	Description	Reqd. QTY						Serial No.	Parts catalogue code
			BF 9.9D1	BFP 9.9D1	BF 10D1	BFP 10D1	BF 10B1	BFP 10B1		
1	12166-ZW9-000	STOPPER, ENGINE SIDE	2	2	2	2	2	2		
2	12210-ZW9-000ZA	HEAD COMP., CYLINDER								

**5** **6** **7** **8** **9** **10** **11** **12** **13** **14**

Ref. No.	Part No.	Description	Reqd. QTY						Serial No.	Parts catalogue code
			BF 9.9D1	BFP 9.9D1	BF 10D1	BFP 10D1	BF 10B1	BFP 10B1		
1	12166-ZW9-000	STOPPER, ENGINE SIDE	2	2	2	2	2	2		
2	12210-ZW9-000ZA	HEAD COMP., CYLINDER								
3	12251-ZW9-003	GASKET, CYLINDER HEAD	1	1	1	1	1	1		
4	12310-ZW9-000	COVER COMP., HEAD	1	1	1	1	1	1		
5	12312-ZW9-000	PACKING, HEAD COVER	1	1	1	1	1	1		
6	15611-921-000	CAP, OIL (NO GAUGE)	1	1	1	1	1	1		
7	16617-ZW9-000	HOLDER, CABLE	1	1	1	1	1	1	SC,S6	
	16617-ZW9-010		1	1	1	1	1	1	1001800 LHC,LHD	

**1 Address number**

• Address No. is provided (in place of the page No.) to help you refer to the part with the part No. or part name.

**2 Block title**

**3 Block number**

**4 Service item/Flat rate time**

**5 Reference number**

• Title number marked with the parenthesis or parentheses indicates that it continues from the previous page.

**6 Part number**

**7 Honda color code**

**8 Description**

**9 Assemblies**

• Sections framed with broken lines in the exploded view drawings are available as complete assemblies. (Their individual parts can also be obtained.)

**10 Color description**

**11 Note**

• Notes are shown with the parentheses in the part name column.

**12 Required quantity**

• Required QTY shown in the parenthesis or parentheses indicates the optional part.  
 • Required QTY marked with "N" Indicates the optional part that should be selected as needed.  
 • Required QTY indicates the number of the part used in the block.

**13 Serial number**

**14 Type**

• When the type column is blank, it indicates that the part is applicable to all types.

• As the type of the actual unit may differ from the "parts catalogue, type" please refer to "Models, types and applicable serial numbers" for confirmation.

When the parts were revised

Abbreviations used in the parts catalogue

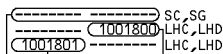
1



Be sure to check the serial number!!



Ref. No.	Part No.	Description	Reqd. QTY						Serial No.
			BF 99D1	BFP 99D1	BF 10D1	BFP 10D1	BF 10B1	BFP 10B1	
1	12166-ZW9-000	STOPPER, ENGINE SIDE .....	2	2	2	2	2	2	
2	12210-ZW9-000ZA	HEAD COMP., CYLINDER *NH8*.....DARK GRAY	1	1	1	1	1	1	
3	12251-ZW9-003	GASKET, CYLINDER HEAD .....	1	1	1	1	1	1	
4	12310-ZW9-000	COVER COMP., HEAD .....	1	1	1	1	1	1	
5	12312-ZW9-000	PACKING, HEAD COVER .....	1	1	1	1	1	1	
6	15611-921-000	CAP, OIL (NO GAUGE) .....	1	1	1	1	1	1	
7	16617-ZW9-000	HOLDER, CABLE .....	1	1	1	1	1	1	
	16617-ZW9-010	.....	1	1	1	1	1	1	



The number has been used from the initial model without revision.

When shown at the left side, it is applicable to the models of No.1001801 and the subsequent numbers.

When shown at the right side, it is applicable to the models up to No.1001800.

The following abbreviations are used in the parts name column.

- A ..... Ampere
- A.C. .... Alternating current
- ASSY. .... Assembly
- AT. .... Automatic transmission
- C.D.I. .... Capacitive discharge ignition
- COMP. ... Complete
- D.C. .... Direct current
- EX. .... Exhaust
- G.F.C.I ... Ground fault circuit interruptor
- HEX. .... Hexagonal
- H.S.T. .... Hydrostatic transmission
- FR. ....Front
- IN. ....Inlet
- L (100L) .Link (100 Links)
- L. ....Left
- MM .....Millimeter
- MT. ....Manual Transmission
- P.T.O. ....Power take off
- R. ....Right
- RR. ....Rear
- STD. ....Standard
- T (22T) ...Tooth (22 Teeth)
- V .....Volt
- W .....Watt

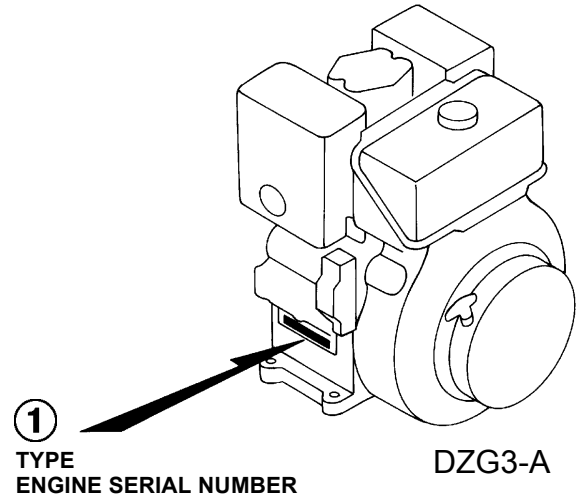
**How to check the part block and serial numbers**

**Part block** Frame parts  
E-1~



**Numbers needed** Stamped engine number

**Check point** ①





**Models, parts catalogue codes and applicable serial numbers**

**1**

Model	Type	Parts catalogue type	Applicable engine serial No.
GD410(1)	EGY	EGY	GPA-1000001~1021879
	LH	LH	GPA-1000001~*
	LHE	LHE	
	LJ	LJ	
	LJE	LJE	GPA-1000001~1021879
	LWD	LWD	
	PA	PA	
	PAA	PAA	
	PH	PH	
	PX	PX	
	QA	QA	GPA-1000001~*
	QAA	QAA	GPA-1000001~1021879
	QAAE	QAAE	
	QAE	QAE	GPA-1000001~*
	QB	QB	
	QBE	QBE	
	QFE	QFE	
	QH	QH	
QHE	QHE		

Model	Type	Parts catalogue type	Applicable engine serial No.
GD410(1)	QN	QN	GPA-1000001~1021879
	QNE	QNE	
	QX	QX	GPA-1000001~*
	QXE	QXE	
	SB	SB	
	SBE	SBE	
	SH	SH	
	SHE	SHE	
	SIE	SIE	
	SJ	SJ	GPA-1000001~1021879
	SJE	SJE	
	SN	SN	
	SNE	SNE	
	SX	SX	GPA-1000001~*
	SXE	SXE	GPA-1000001~1021879
	VA	VA	
	VAA	VAA	
	VAAE	VAAE	
	VAE	VAE	

Model	Type	Parts catalogue type	Applicable engine serial No.
GD410(1)	VB	VB	GPA-1000001~*
	VBB	VBB	
	VBE	VBE	
	VBL	VBL	
	VF	VF	
	VH	VH	
	VHE	VHE	
	VN	VN	GPA-1000001~1021879
	VNE	VNE	GPA-1000001~*
	VX	VX	
GD410(2)	VXE	VXE	GPA-1000001~1021879
	E1	E1	
	L1	L1	
	P1	P1	
	Q1	Q1	
	S1	S1	
GD411(1)	V1	V1	GPAC-1000001~
	EGY	EGY	
	LH	LH	
	LHE	LHE	

Model	Type	Parts catalogue type	Applicable engine serial No.
GD411(1)	LJ	LJ	GPAC-1000001~
	LJE	LJE	
	LTE	LTE	
	LTE1	LTE1	
	LWD	LWD	
	PA	PA	
	PAA	PAA	
	PH	PH	GPAC-1000001~
	PX	PX	
	QA	QA	GPAC-1000001~1099999
	QAA	QAA	
	QAAE	QAAE	
	QAE	QAE	
	QB	QB	GPAC-1000001~
	QBE	QBE	
	QH	QH	
	QHE	QHE	
	QHE4	QHE4	
	QHQ4	QHQ4	
	QHX	QHX	

**1**

1

Model	Type	Parts catalogue type	Applicable engine serial No.
GD411(1)	QHX4	QHX4	GPAC-1000001~
	QX	QX	
	QXE	QXE	
	QXE4	QXE4	
	SB	SB	
	SBE	SBE	
	SH	SH	
	SHE	SHE	
	SHE4	SHE4	
	SIE	SIE	
	SJ	SJ	
	SJE	SJE	
	SX	SX	
	SXE	SXE	
	SXE4	SXE4	
	SXQ4	SXQ4	
	VA	VA	GPAC-1000001~1099999
	VAA	VAA	
	VAAE	VAAE	
	VAE	VAE	

Model	Type	Parts catalogue type	Applicable engine serial No.
GD411(1)	VB	VB	GPAC-1000001~
	VBB	VBB	
	VBE	VBE	
	VBL	VBL	
	VBX	VBX	
	VBX1	VBX1	
	VGB	VGB	
	VH	VH	
	VHE	VHE	
	VX	VX	
	VXE	VXE	
GD411(2)	E1	E1	GPAC-1000001~
	L1	L1	
	P1	P1	
	Q1	Q1	
	S1	S1	
	V1	V1	

Features of each type

• See the following table for the features of each type.

Specifications		Model	GD410														
		Type	Standard equipment (1)														
		EGY	LH	LHE	LJ	LJE	LWD	PA	PAA	PH	PX	QA	QAA	QAAE	QAE	QB	QBE
Crankshaft	25mmØStraight																
	25.4mmØStraight										•	•	•	•	•	•	
	40mmØStraight		•	•	•	•	•										
	1-14NF2-THRH							•	•	•	•						
	Tapered 71(mm)	•															
	Tapered 75.5(mm)																
Air cleaner	Standard		•	•	•	•				•	•	•			•	•	•
	Wet	•					•	•	•				•	•			
Fuel tank	Standard		•	•	•	•				•		•		•	•	•	•
	Gauge						•	•	•		•	•	•	•	•	•	•
Muffler	Protector		•	•	•	•	•	•	•	•	•	•	•	•	•	•	•
	Arrester							(•)	•			•	•	•	•		
Control lever	1-Lever																
	2-Lever	•	•	•	•	•	•	•	•	•	•	•	•	•	•	•	•
Control box				•		•								•	•		•
Starter motor		•		•		•	•							•	•		•

Specifications		Model	GD410															
		Type	Standard equipment (1)															
			QFE	QH	QHE	QN	QNE	QX	QXE	SB	SBE	SH	SHE	SIE	SJ	SJE	SN	SNE
Crankshaft	25mmØStraight								•	•	•	•	•	•	•	•	•	•
	25.4mmØStraight	•	•	•	•	•	•	•										
	40mmØStraight																	
	1-14NF2-THRH																	
	Tapered 71(mm)																	
	Tapered 75.5(mm)																	
Air cleaner	Standard	•	•	•	•	•	•	•	•	•	•	•	•	•	•	•	•	•
	Wet																	
Fuel tank	Standard		•	•	•	•			•	•	•	•		•	•	•	•	
	Gauge	•					•	•										•
Muffler	Protector	•	•	•	•	•	•	•	•	•	•	•		•	•	•	•	•
	Arrester																	
Control lever	1-Lever												•					
	2-Lever	•	•	•	•	•	•	•	•	•	•	•		•	•	•	•	•
Control box		•		•		•		•		•		•		•		•		
Starter motor		•		•		•		•		•		•	•		•		•	

Specifications		Model	GD410														
		Type	Standard equipment (1)														
		SXE	VA	VAA	VAAE	VAE	VB	VBB	VBE	VBL	VF	VH	VHE	VN	VNE	VX	VXE
Crankshaft	25mmØStraight	•															
	25.4mmØStraight																
	40mmØStraight																
	1-14NF2-THRH																
	Tapered 71(mm)																
	Tapered 75.5(mm)		•	•	•	•	•	•	•	•	•	•	•	•	•	•	•
Air cleaner	Standard	•					•		•	•	•	•	•	•	•	•	•
	Wet		•	•	•	•		•									
Fuel tank	Standard						•	•	•	•		•	•	•	•		
	Gauge	•	•	•	•	•					•					•	•
Muffler	Protector	•	•	•	•	•	•	•	•	•	•	•	•	•	•	•	•
	Arrester		(•)	•	•	(•)											
Control lever	1-Lever																
	2-Lever	•	•	•	•	•	•	•	•	•	•	•	•	•	•	•	•
Control box		•			•	•			•				•		•		•
Starter motor		•			•	•			•	•			•		•		•



Specifications		Model	GD410						GD411									
		Type	Selective equipment (2)						Standard equipment (1)									
			E1	L1	P1	Q1	S1	V1	EGY	LH	LHE	LJ	LJE	LTE	LTE1	LWD	PA	PAA
Crankshaft	25mmØStraight					•												
	25.4mmØStraight				•													
	40mmØStraight		•						•	•	•	•	•	•				
	1-14NF2-THRH			•												•	•	•
	Tapered 71(mm)	•						•										
	Tapered 75.5(mm)						•											
Air cleaner	Standard	(•)	(•)	(•)	(•)	(•)	(•)		•	•	•	•						•
	Wet	(•)	(•)	(•)	(•)	(•)	(•)	•					•	•	•	•	•	
Fuel tank	Standard	(•)	(•)	(•)	(•)	(•)	(•)		•	•	•	•						•
	Gauge	(•)	(•)	(•)	(•)	(•)	(•)						•	•	•	•	•	
Muffler	Protector	(•)	(•)	(•)	(•)	(•)	(•)		•	•	•	•	•	•	•	•	•	•
	Arrester	(•)	(•)	(•)	(•)	(•)	(•)									(•)	•	
Control lever	1-Lever																	
	2-Lever	(•)	(•)	(•)	(•)	(•)	(•)	•	•	•	•	•	•	•	•	•	•	•
Control box		(•)	(•)	(•)	(•)	(•)	(•)			•		•						
Starter motor		(•)	(•)	(•)	(•)	(•)	(•)	•		•		•	•	•	•			

Specifications		Model	GD411															
		Type	Standard equipment (1)															
			PX	QA	QAA	QAAE	QAE	QB	QBE	QH	QHE	QHE4	QHQ4	QHX	QHX4	QX	QXE	QXE4
Crankshaft	25mmØStraight																	•
	25.4mmØStraight		•	•	•	•	•	•	•	•	•	•	•	•	•	•	•	
	40mmØStraight																	
	1-14NF2-THRH	•																
	Tapered 71(mm)																	
	Tapered 75.5(mm)																	
Air cleaner	Standard	•					•	•	•	•	•	•	•	•	•	•	•	•
	Wet		•	•	•	•												
Fuel tank	Standard						•	•	•	•	•	•	•					•
	Gauge	•	•	•	•	•								•	•	•		
Muffler	Protector	•	•	•	•	•	•	•	•	•	•	•	•	•	•	•	•	•
	Arrester		(•)	•	•	(•)												
Control lever	1-Lever																	
	2-Lever	•	•	•	•	•	•	•	•	•	•	•	•	•	•	•	•	•
Control box					•	•		•		•	•					•	•	
Starter motor					•	•		•		•	•					•	•	

**1**



Specifications		Model	GD411															
		Type	Standard equipment (1)															
			SBE	SH	SHE	SHE4	SIE	SJ	SJE	SX	SXE	SXE4	SXQ4	VA	VAA	VAAE	VAE	VB
Crankshaft	25mmØStraight	•	•	•	•	•	•	•	•	•	•	•						
	25.4mmØStraight																	
	40mmØStraight																	
	1-14NF2-THRH																	
	Tapered 71(mm)																	
	Tapered 75.5(mm)													•	•	•	•	•
Air cleaner	Standard	•	•	•	•	•	•	•	•	•	•	•					•	
	Wet												•	•	•	•		•
Fuel tank	Standard	•	•	•	•		•	•									•	•
	Gauge								•	•	•	•	•	•	•	•		
Muffler	Protector	•	•	•	•		•	•	•	•	•	•	•	•	•	•	•	•
	Arrester												(•)	•	•	(•)		
Control lever	1-Lever					•												
	2-Lever	•	•	•	•		•	•	•	•	•	•	•	•	•	•	•	•
Control box		•		•	•			•		•	•				•	•		
Starter motor		•		•	•	•		•		•	•				•	•		

Specifications		Model	GD411													
		Type	Standard equipment (1)							Selective equipment (2)						
			VBE	VBL	VBX	VBX1	VGB	VH	VHE	VX	VXE	E1	L1	P1	Q1	S1
Crankshaft	25mmØStraight														•	
	25.4mmØStraight														•	
	40mmØStraight											•				
	1-14NF2-THRH												•			
	Tapered 71(mm)										•					
	Tapered 75.5(mm)	•	•	•	•	•	•	•	•	•						•
Air cleaner	Standard	•	•		•	•	•	•	•	•	(•)	(•)	(•)	(•)	(•)	(•)
	Wet			•							(•)	(•)	(•)	(•)	(•)	(•)
Fuel tank	Standard	•	•	•	•		•	•			(•)	(•)	(•)	(•)	(•)	(•)
	Gauge					•			•	•	(•)	(•)	(•)	(•)	(•)	(•)
Muffler	Protector	•	•	•	•	•	•	•	•	•	(•)	(•)	(•)	(•)	(•)	(•)
	Arrester										(•)	(•)	(•)	(•)	(•)	(•)
Control lever	1-Lever															
	2-Lever	•	•	•	•	•	•	•	•	•	(•)	(•)	(•)	(•)	(•)	(•)
Control box		•						•		•	(•)	(•)	(•)	(•)	(•)	(•)
Starter motor		•	•					•		•	(•)	(•)	(•)	(•)	(•)	(•)

## Fuel hose, general purpose hoses and vinyl hose

- The standard part fuel hose, general purpose hose and vinyl hose may be substituted by the coiled bulk part.
- When ordering the standard part fuel hose, general purpose hose and vinyl hose use the bulk part number written in the parts catalog in brackets ( ) underneath the part name.
- When exchanging the hose, cut and use at the specified length as mentioned in the part name.  
(For the method of cutting the bulk part, and method of filling out orders etc., please refer to the instructions issued with the bulk part.)

### Bulk part number of fuel hose, general purpose hose and vinyl hose.

Example: 9 5 0 0 1 - 7 5 0 0 1 - 5 0 M

**Bulk part number:**  
Refers to the bulk part.

**Marking code (fuel hose and general purpose hose)**

**Change code (Vinyl hose)**

Indicates number mark or change sequence, however, the code for the bulk part must be strictly 0 (zero).

**Types of code:**

- |             |  |                |  |              |   |
|-------------|--|----------------|--|--------------|---|
| • Fuel hose | 2: Red outside braid<br>(3 mm inside dia. only)        | • General hose | 1: Ash gray<br>2: Ash gray<br>3: Black<br>5: Black | • Vinyl hose | 1: Clear<br>2: Black<br>3: Light red<br>6: Light red<br>7: Pale black |
|             | 5: Black inside braid                                  |                |  |              |   |
|             | 3: Red (3 mm inside dia. only)                         |                |  |              |   |
|             | 4: Ash gray with red stripe<br>(3 mm inside dia. only) |                |  |              |   |
|             | 6: Black   |                |  |              |   |

**Lengths:**

- 001: 1 m (standard)  
003: 3 m  
008: 8 m } Application or specification of some parts is not settled.

**I.D code: (fuel hose and general purpose hose)**

- |            |                    |                    |                             |                             |
|------------|--------------------|--------------------|-----------------------------|-----------------------------|
| 30: 3.0 mm | 50: 5.0 mm         | 70: 7.0 mm         | 11: 11 mm                   | 12: 12 (outside dia. 17) mm |
| 35: 3.5 mm | 55: 5.3 mm, 5.5 mm | 75: 7.3 mm, 7.5 mm | 91: 12 (outside dia. 15) mm | 14: 14 mm                   |
| 45: 4.5 mm | 65: 6.5 mm         | 80: 8.0 mm         | 92: 12 (outside dia. 16) mm | 17: 17 mm                   |

**ID./OD. code: (vinyl hose)**

- |                         |                          |                           |                           |                           |
|-------------------------|--------------------------|---------------------------|---------------------------|---------------------------|
| 01: ID. 2.9, OD. 6.8 mm | 12: ID. 5.0, OD. 7.0 mm  | 21: ID. 8.0, OD. 9.0 mm   | 37: ID. 11.0, OD. 15.0 mm | 50: ID. 16.0, OD. 19.0 mm |
| 03: ID. 3.0, OD. 6.0 mm | 10: ID. 5.0, OD. 8.0 mm  | 23: ID. 8.0, OD. 12.0 mm  | 38: ID. 12.0, OD. 13.0 mm | 55: ID. 17.5, OD. 20.5 mm |
| 05: ID. 3.5, OD. 6.5 mm | 11: ID. 5.0, OD. 9.0 mm  | 25: ID. 9.0, OD. 11.0 mm  | 39: ID. 12.0, OD. 14.0 mm | 60: ID. 22.0, OD. 27.0 mm |
| 07: ID. 4.0, OD. 7.0 mm | 14: ID. 6.0, OD. 9.0 mm  | 27: ID. 9.0, OD. 13.0 mm  | 40: ID. 12.0, OD. 16.0 mm |                           |
| 08: ID. 4.5, OD. 6.5 mm | 17: ID. 7.0, OD. 9.0 mm  | 33: ID. 10.0, OD. 14.0 mm | 43: ID. 13.0, OD. 15.0 mm |                           |
| 09: ID. 4.5, OD. 8.0 mm | 19: ID. 7.0, OD. 11.0 mm | 36: ID. 11.0, OD. 13.0 mm | 45: ID. 14.0, OD. 18.0 mm |                           |

**Hose type:**

- 1: Fuel hose  
3: Vinyl hose  
5: General hose

⊙ **CAUTION: It is DANGEROUS to confuse the fuel hose with the general purpose hose or vinyl hose.**

Never use a general purpose hose or vinyl hose in place of a fuel hose or vice versa. Always use the correct bulk part in the parts catalogue, according to the service manual or the instructions issued with the bulk part.

### How to use the flat rate time (F.R.T.)

This F.R.T. (Flat Rate Time) is used to determine the standard labor time allowed for replacement of parts covered by the warranty during the period the warranty is in effect. The F.R.T. for those parts which are not listed herein should be determined from the operation closely related to the replacement of that part.

#### 1. The F.R.T. is based on the following servicing conditions

- a. A liberal allowance is added to the net servicing time.
- b. Standard times specified are based on the condition that the necessary servicing tools listed in the service manual which describes the Honda service policy are available close at hand and the work performed by a mechanic with normal skill.
- c. Time required for inspection and operational test following the servicing is included in the F.R.T.
- d. The F.R.T. for “•” marked parts are same as the F.R.T. for the representative part above.
- e. The F.R.T. shown with (\*) includes engine removal and installation.

#### 2. Method of computing

The job times are listed in tenth of an hour to simplify computation.

(Example) 0.3 = 18 minutes  
5.6 = 5 hours and 36 minutes

CONVERSION CHART			
Hours	Minutes	Hours	Minutes
0.1	6	0.6	36
0.2	12	0.7	42
0.3	18	0.8	48
0.4	24	0.9	54
0.5	30	1.0	60

### 3. Computing the F.R.T.

The following are only examples and do not reflect the actual F.R.T. for this product.

When several jobs are performed at the same time, make the calculation in the following manner.

#### a. Jobs of non duplicated nature

The F.R.T. for the job is obtained by totalling the F.R.T. for each part replaced.

(Example) Replacement of head cover gasket and oil filter.

Service item	F.R.T.
Packing, cylinder head cover	0.5
Cartridge, oil filter	0.5

The F.R.T. for the job is:  $0.5 + 0.5 = 1.0$

#### b. Jobs of duplicated nature

Take the F.R.T. for the last part to be replaced.

(Example) Replacement of piston and cylinder head gasket.

Service item	F.R.T.
Gasket comp., cylinder head	3.0
Piston	*5.0

The F.R.T. for the job is: 5.0

#### c. Jobs of partially related nature

Total up the F.R.T. for all of the parts replaced and then subtract the F.R.T. for the duplicated operation (i.e., cylinder head gasket service).

(Example) Replacement of valve and cylinder head.

Service item	F.R.T.
Valve	*3.0
Head assy., cylinder	*4.0
Gasket comp., cylinder head	*2.5

The F.R.T. for the job is:  $(3.0 + 4.0) - 2.5 = 4.5$

- The F.R.T. shown with (\*) includes engine removal and installation.
- The parts, having the same number of man-hour, are identified by a mark "\*", and classified under the title of their representative work.

### 4. Adjustment, cleaning

Item	Service item	F.R.T.
Adjustment	Tappets	0.3
	Opening pressure	0.5
Cleaning	Air cleaner element	0.2
	Injection nozzle	0.3

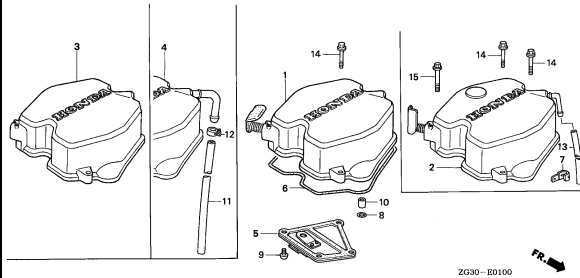
# ENGINE GROUP

C 3

E-1

CYLINDER HEAD COVER

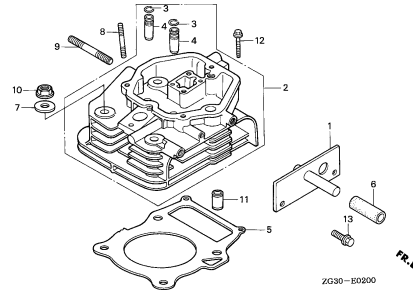
D 1



E-2

CYLINDER HEAD

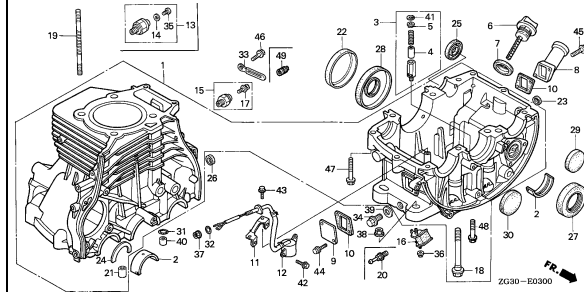
D 4



E-3

CYLINDER BARREL

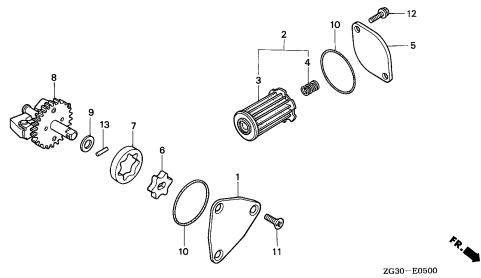
D 6



E-5

OIL PUMP

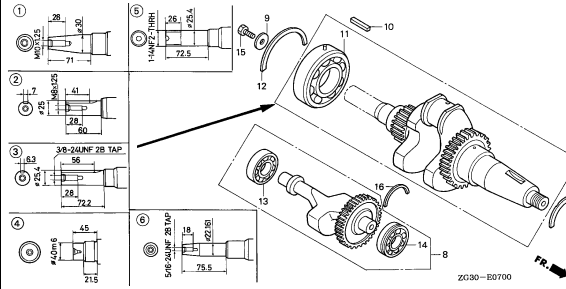
D13



E-7

CRANKSHAFT

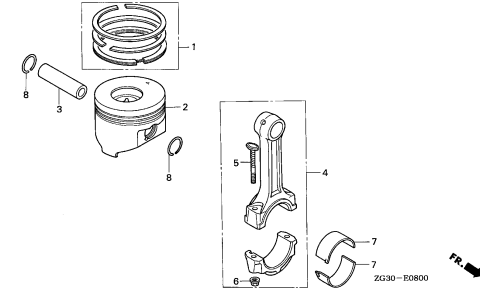
D15



E-8

PISTON

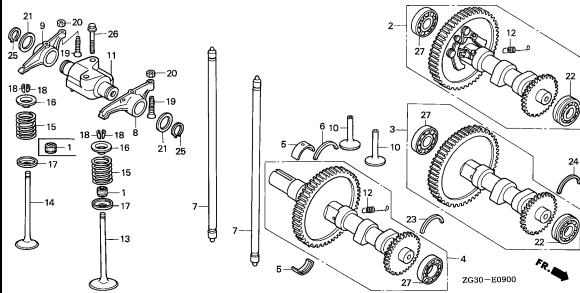
E 1



E-9

CAMSHAFT

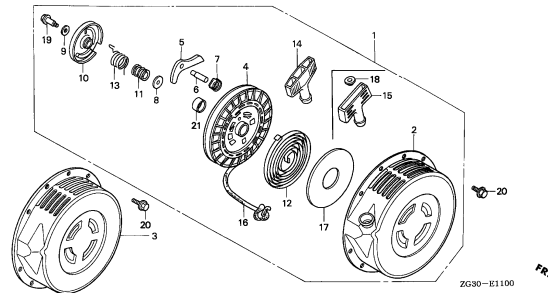
E 4



E-11

RECOIL STARTER(1)

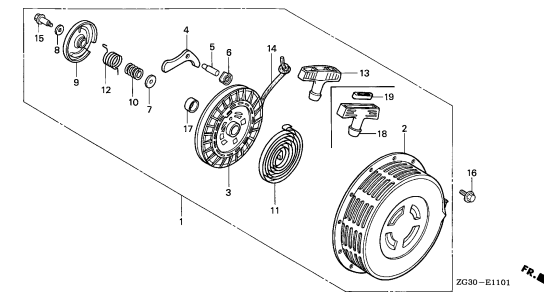
E 7



E-11-1

RECOIL STARTER(2)

E14



2

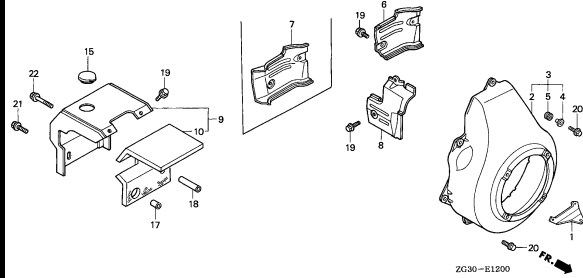
# ENGINE GROUP

C 4

E-12

FAN COVER(1)

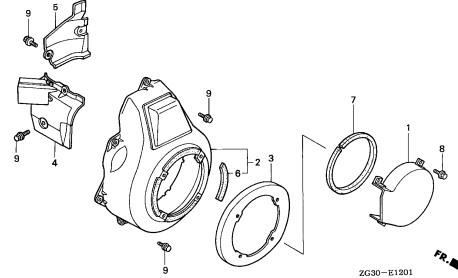
F 1



E-12-1

FAN COVER(2)

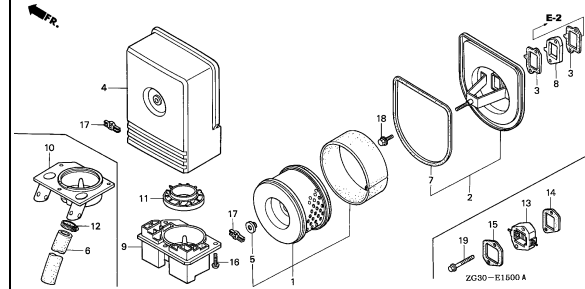
F 3



E-15

AIR CLEANER

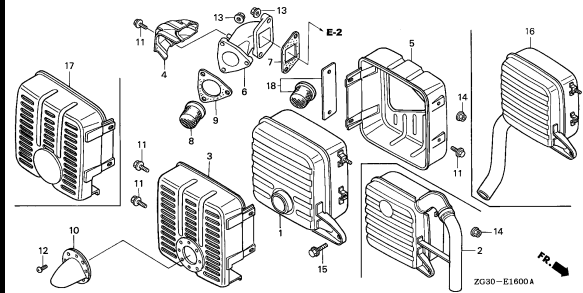
F 4



E-16

MUFFLER(1)

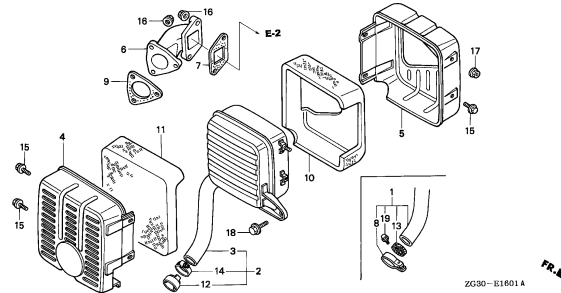
F 6



E-16-1

MUFFLER(2)

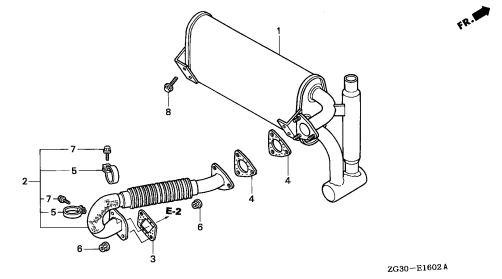
F 9



E-16-2

MUFFLER(3)

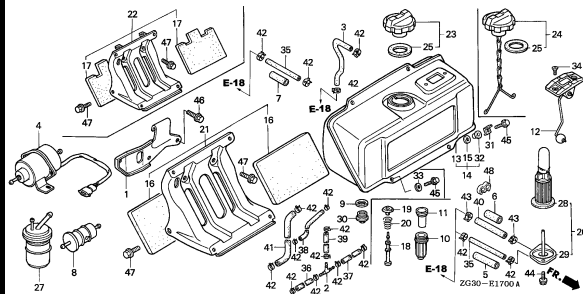
F 11



E-17

FUEL TANK(1)

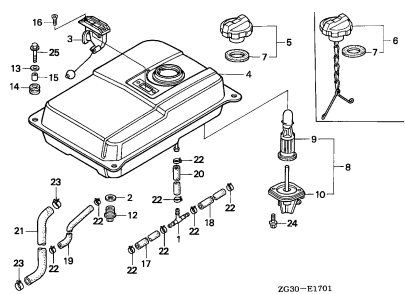
F 12



E-17-1

FUEL TANK(2)

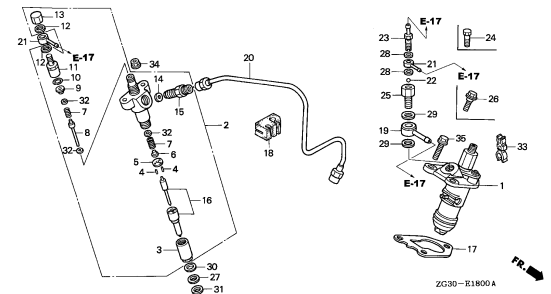
G 2



E-18

FUEL INJECTION PUMP

G 4



2

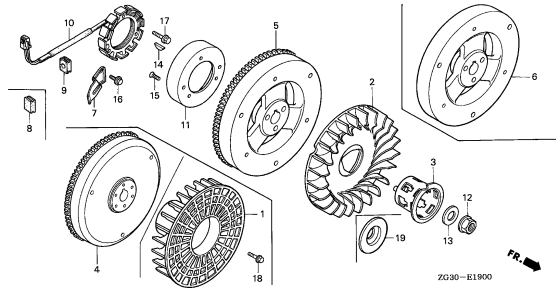
# ENGINE GROUP

C 5

E-19

FLYWHEEL

G10

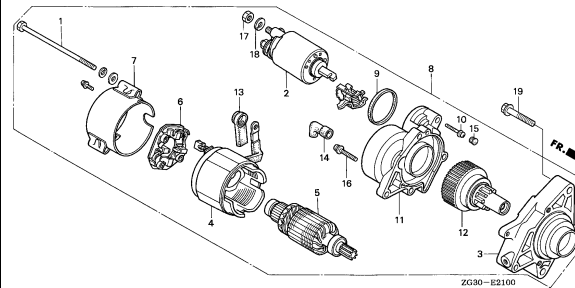


ZG30-E1900

E-21

STARTER MOTOR(1)

G13

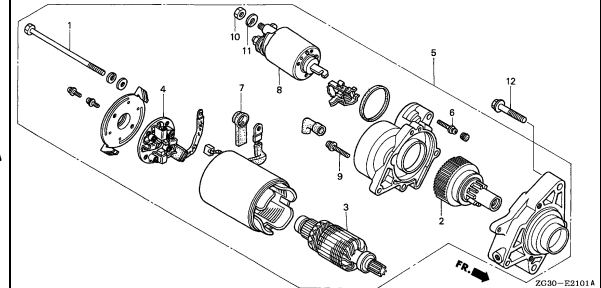


ZG30-E2100

E-21-1

STARTER MOTOR(2)

H 2

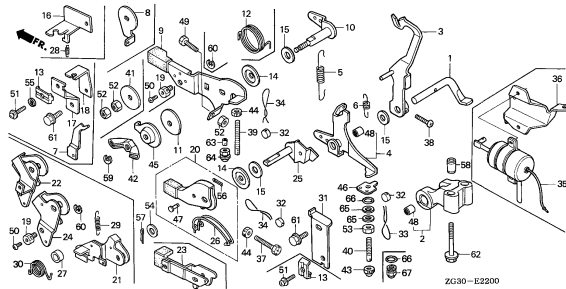


ZG30-E2101A

E-22

CONTROL LEVER

H 4

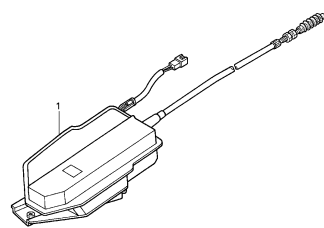


ZG30-E2200

E-22-20

ENGINE STOP MOTOR

H12

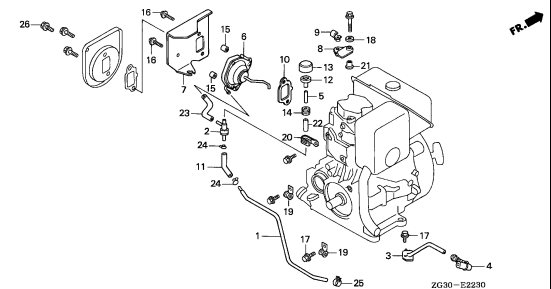


ZG30-E2220

E-22-30

DIAPHRAGM

H13

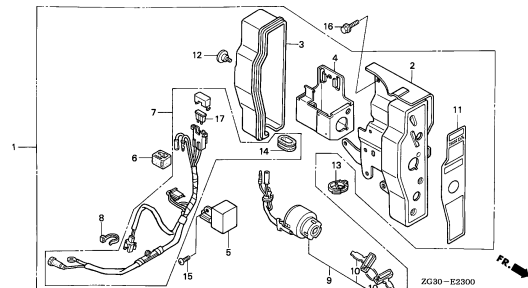


ZG30-E2230

E-23

CONTROL BOX

H16

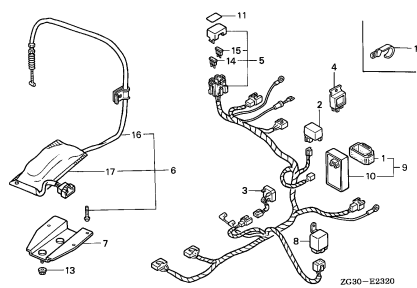


ZG30-E2300

E-23-20

ENGINE STOP MOTOR/SUB WIRE HARNESS

I 3

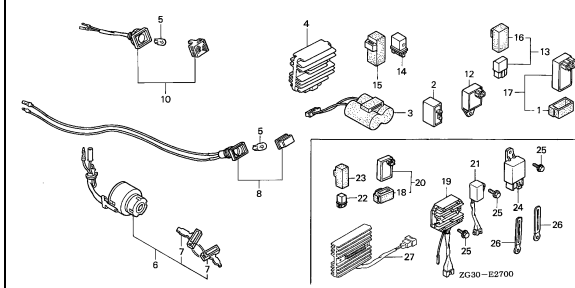


ZG30-E2320

E-27

COMBINATION SWITCH

I 4



ZG30-E2700

2



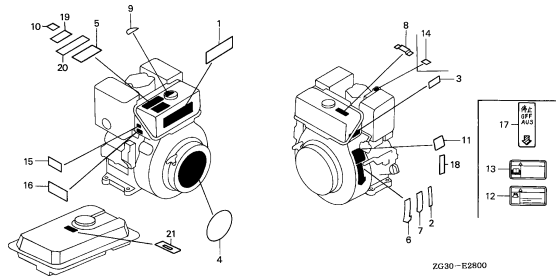
# ENGINE GROUP

C 6

E-28

LABELS

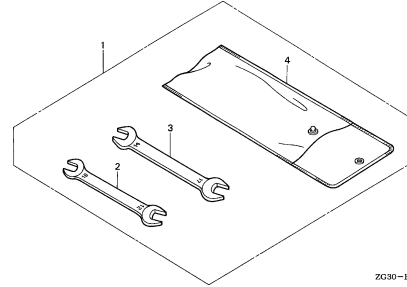
I 6



E-29

TOOLS

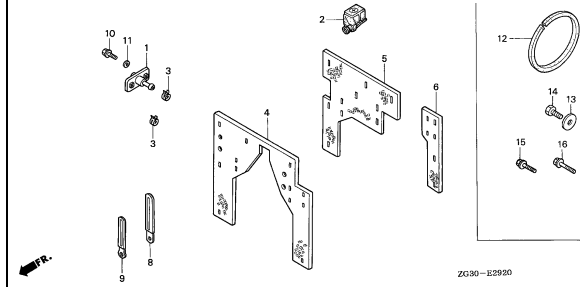
I 10



E-29-20

SEPARATOR INSULATOR

I 11

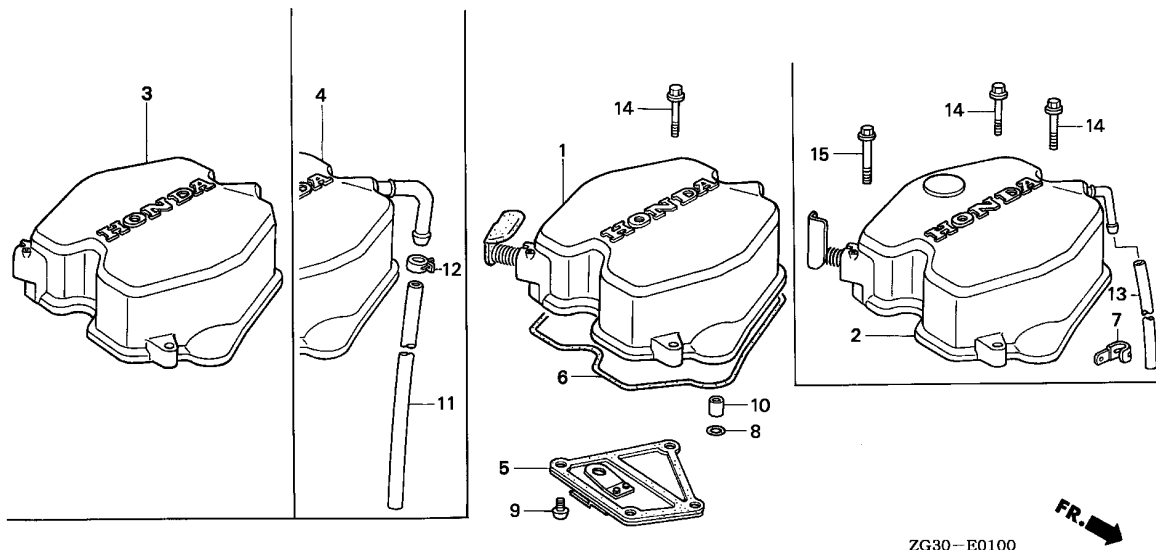


2

E-1

CYLINDER HEAD COVER

D 1

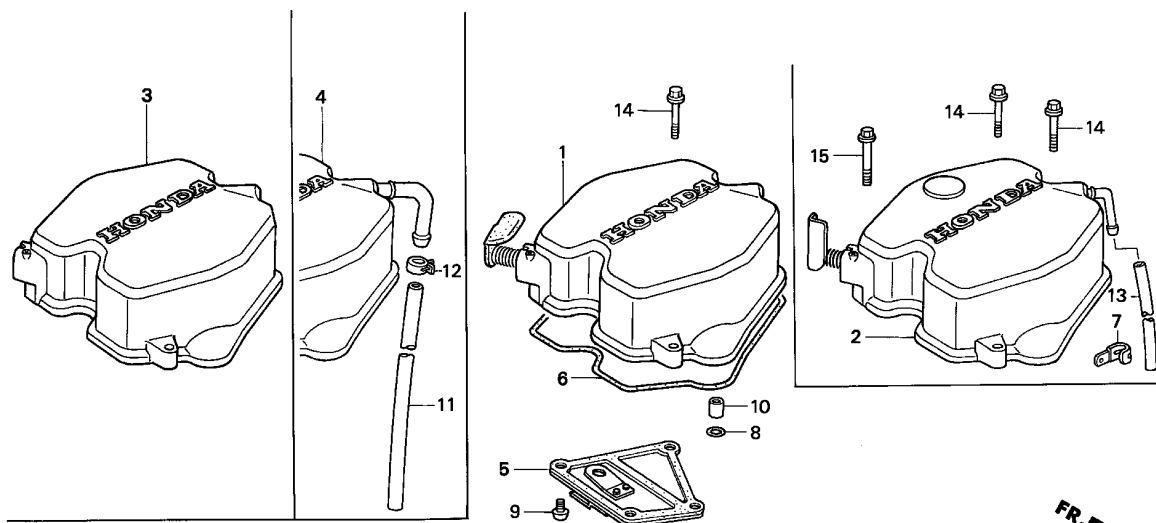


ZG30-E0100

Service item	F.R.T.
COVER COMP., HEAD .....	0.1
.COVER, CYLINDER HEAD	
.O-RING, HEAD COVER	
.TUBE, FUEL, 7.3X500	
COVER COMP., CYLINDER HEAD ...	0.2
.PLATE COMP., BREATHER	

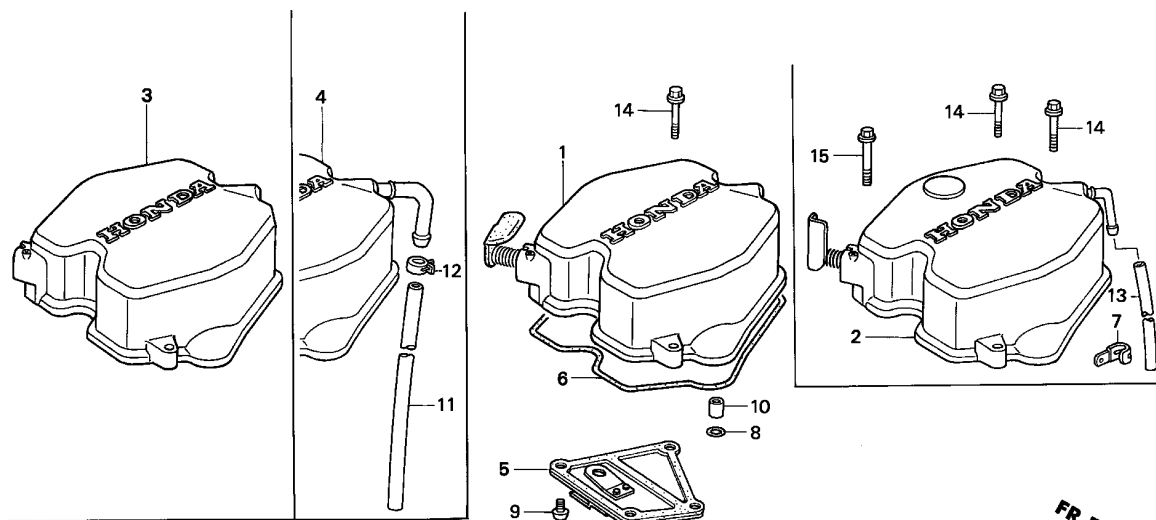
Ref. No.	Part No.	Description	Reqd. QTY				Serial No.	Parts catalogue code
			GD410		GD411			
			(1)	(2)	(1)	(2)		
1	12310-ZG3-800	COVER COMP., CYLINDER HEAD (SEL)	1	(1)	-	-	1001551 P1,QAE,QFE,QHE,QXE,Q1,SHE,SJE,SXE,S1,VHE,VXE,V1	
	12310-ZG3-801	.....	1	(1)	1	-	E1,LHE,LJE,LTE,LTE1,LWD,L1,QAAE,QHE4,QXE4,SHE4,SXE4,VAE,VAE	
			1	(1)	-	-	1001552 P1,QAE,QFE,QHE,QXE,Q1,SHE,SJE,SXE,S1,VHE,VXE,V1	
			-	-	1	-	QAE,QBE,QHE,QXE,SBE,SHE,SJE,SXE,VBE,VHE,VXE	
			-	-	-	(1)		
	12310-ZG3-820	COVER COMP., CYLINDER HEAD ..	1	-	-	-	QBE,QNE,SBE,SNE,VBE,VNE	
2	12310-ZJ7-871	COVER COMP., HEAD (ALERT) ...	-	-	1	-	QHX,QHX4,VBX,VBX1	
			-	-	-	(1)		
3	12311-ZG3-000	COVER, CYLINDER HEAD .....	1	(1)	-	-	1001159 PH,PX,P1,QA,QH,QX,Q1,SH,SJ,SX,S1,VF,VH,VX,V1	
	12311-ZG3-010	.....	1	(1)	1	-	E1,LH,LJ,L1,PA,PAA,QAA,QHQ4,SXQ4,VA,VAA,VGB	
			1	(1)	-	-	1001160 PH,PX,P1,QA,QH,QX,Q1,SH,SJ,SX,S1,VF,VH,VX,V1	
			-	-	1	-	PH,PX,QA,QB,QH,QX,SB,SH,SJ,SX,VB,VBB,VBL,VH,VX	
			-	-	-	(1)		
	12311-ZG3-810	.....	1	-	1	-	EGY,QN,SN,VN	
			1	-	-	-	QB,SB,VB,VBB,VBL	
4	12311-ZG3-900	COVER, CYLINDER HEAD .....	1	-	1	-	SIE	
5	12380-ZG3-000	PLATE COMP., BREATHER .....	1	-	1	-	LH,LHE,PA,PAA,PH,PX,QA,QAA,QAAE,QAE,QB,QBE,QFE,QH,QHE,QHE4	
							QHQ4,QN,QNE,QX,QXE,QXE4,SB,SBE,SH,SHE,SHE4,SN,SNE,SX,SXE,SXE4	
							SXQ4,VA,VAA,VAE,VAE,VB,VBB,VBE,VBL,VF,VGB,VH,VHE,VN,VNE,VX	
							VXE	
	12380-ZJ7-870	PLATE COMP., BREATHER (ALERT)	-	-	1	-	QHX,QHX4,VBX,VBX1	
			-	-	-	(1)	1001658	
	12380-ZG3-000	PLATE COMP., BREATHER .....	1	-	1	-	EGY,LJ,LJE,LTE,LTE1,LWD,SIE,SJ,SJE	
			-	1	-	-		
			-	-	1	-	1001658	
			-	-	-	(1)	1001659	
6	12391-ZG3-000	O-RING, HEAD COVER .....	1	1	1	1		

2



ZG30-E0100

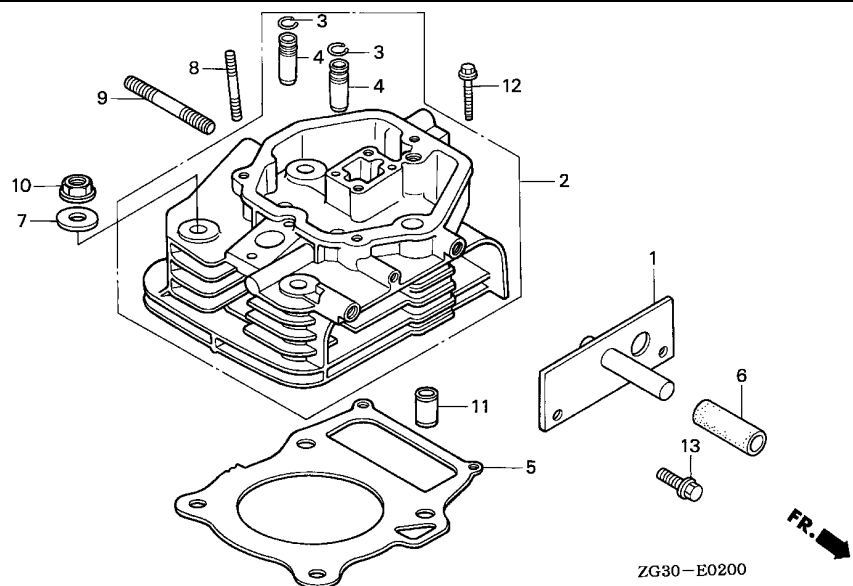
Ref. No.	Part No.	Description	Reqd. QTY				Serial No.	Parts catalogue code
			GD410		GD411			
			(1)	(2)	(1)	(2)		
7	32925-958-000	CLIP, PULSER CORD .....	-	-	1	-	----- QHX,QHX4,VBX1	
			-	-	1	-	1001473 ----- VBX	
			-	-	-	(1)		
8	51866-SA5-801	O-RING .....	1	1	1	1		
9	90009-ZG3-000	SCREW, PAN, 6X8 .....	4	4	-	-	----- 1011687 E1,LH,LHE,PA,PAA,PH,PX,P1,QA,QAA,QAAE,QAE,QFE,QH,QHE,QX,QXE,Q1	
							SH,SHE,SJ,SJE,SX,SXE,S1,VA,VAA,VAAE,VAE,VBB,VF,VH,VHE,VX,VXE	
							V1	
			4	4	-	-	----- 1012165 LJ,LJE,L1	
			4	-	-	-	----- QN,QNE,SN,SNE,VN,VNE	
			4	-	-	-	----- 1011521 QB,QBE,SB,SBE,VB,VBE	
			4	-	-	-	----- 1011690 SIE	
	93500-06008-0A	.....	4	4	-	-	----- 1011688 E1,LH,LHE,PA,PAA,PH,PX,P1,QA,QAA,QAAE,QAE,QFE,QH,QHE,QX,QXE,Q1	
							SH,SHE,SJ,SJE,SX,SXE,S1,VA,VAA,VAAE,VAE,VBB,VF,VH,VHE,VX,VXE	
							V1	
			4	4	-	-	----- 1012166 LJ,LJE,L1	
			4	-	-	-	----- EGY,LWD,VBL	
			4	-	-	-	----- 1011522 QB,QBE,SB,SBE,VB,VBE	
			4	-	-	-	----- 1011691 SIE	
			-	-	4	4		
10	94301-06100	DOWEL PIN, 6X10 .....	1	-	-	-		
			-	(1)	-	-	----- 1008802	
			-	-	1	-	----- QHE4,QHQ4,QHX4,QXE4,SHE4,SXE4,SXQ4	
			-	1	-	-	----- 1008803	
			-	-	1	1		
11	95001-75500-40	TUBE, FUEL, 7.3X500 (95001-75001-60M)	1	-	1	-	----- SIE	
12	95002-41200-08	CLAMP, TUBE (D12) .....	1	-	1	-	----- SIE	



ZG30-E0100

Ref. No.	Part No.	Description	Reqd. QTY				Serial No.	Parts catalogue code
			GD410		GD411			
			(1)	(2)	(1)	(2)		
13	95005-70430-30	TUBE, 7X430(95005-70001-30M)	-	-	1	-	----- QHX,QHX4,VBX,VBX1	
14	95701-06028-00	BOLT, FLANGE, 6X28 .....	3	(3)	-	-	----- 1001159 PH,PX,P1,QA,QAE,QFE,QH,QHE,QN,QNE,QX,QXE,Q1,SH,SHE,SJ,SJE,SN SNE,SX,SXE,S1,VF,VH,VHE,VN,VNE,VX,VXE,V1	
	95701-06032-00	BOLT, FLANGE, 6X32 .....	3	-	-	-	----- EGY,LH,LHE,LJ,LJE,LWD,PA,PAA,QAA,QAAE,QB,QBE,SB,SBE,SIE,VA,VAA VAAE,VAE,VB,VBB,VBE,VBL	
			3	-	-	1001160	----- PH,PX,QA,QAE,QFE,QH,QHE,QN,QNE,QX,QXE,SH,SHE,SJ,SJE,SN,SNE,SX SXE,VF,VH,VHE,VN,VNE,VX,VXE	
			-	(3)	-	-	----- 1008802 E1,L1	
			-	(3)	-	1001160	----- 1008802 P1,Q1,S1,V1	
			-	3	-	1008803	-----	
			-	-	2	-	----- QHX,QHX4,VBX,VBX1	
			-	-	3	-	----- EGY,LH,LHE,LJ,LJE,LTE,LTE1,LWD,PA,PAA,PH,PX,QA,QAA,QAAE,QAE,QB QBE,QH,QHE,QHE4,QHQ4,QX,QXE,QXE4,SB,SBE,SH,SHE,SHE4,SIE,SJ,SJE SX,SXE,SXE4,SXQ4,VA,VAA,VAAE,VAE,VB,VBB,VBE,VBL,VGB,VH,VHE,VX VXE	
15	95701-06045-00	BOLT, FLANGE, 6X45 .....	-	-	-	(N)	----- QHX,QHX4,VBX,VBX1	
			-	-	-	(1)	-----	





Service item	F.R.T.
HANGER, ENGINE .....	0.1
BOLT, STUD, 6X32 .....	0.2
(ADD 0.1 FOR EACH.)	
BOLT, STUD, 8X22 .....	
(ADD 0.1 FOR EACH.)	
GASKET, CYLINDER HEAD .....	0.9
HEAD COMP., CYLINDER .....	1.5

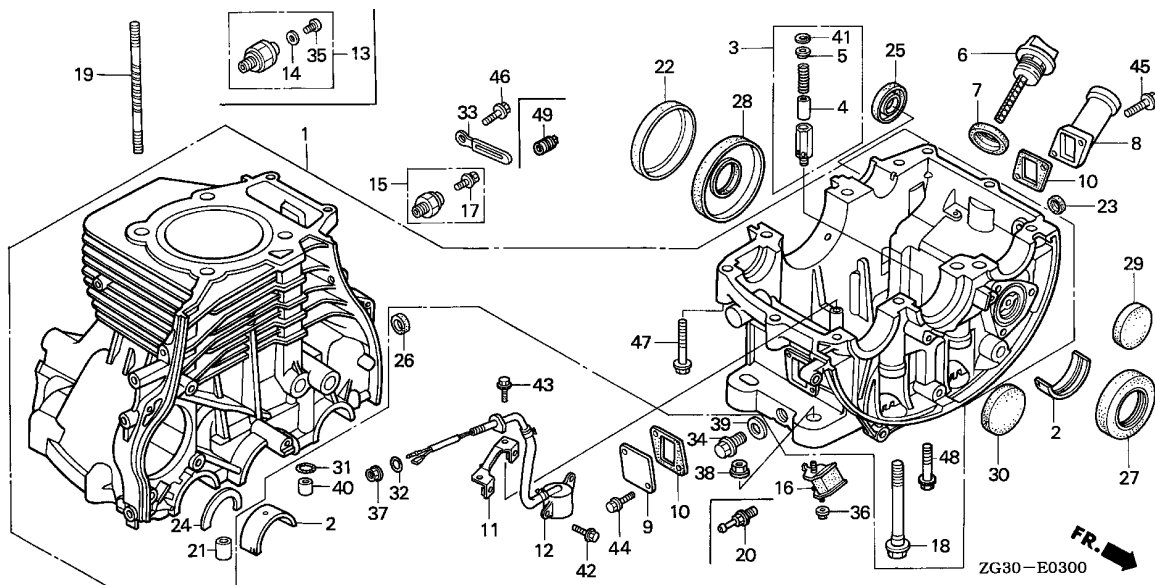
ZG30-E0200

Ref. No.	Part No.	Description	Reqd. QTY				Serial No.	Parts catalogue code
			GD410		GD411			
			(1)	(2)	(1)	(2)		
1	11911-ZG3-E01	HANGER, ENGINE .....	1	-	1	-	EGY	
2	122A0-ZG3-000	HEAD COMP., CYLINDER .....	1	1	-	-	1001159 PH,PX,P1,QA,QAE,QFE,QH,QHE,QN,QNE,QX,QXE,Q1,SH,SHE,SJ,SJE,SN SNE,SX,SXE,S1,VF,VH,VHE,VN,VNE,VX,VXE,V1	
	12200-ZG3-010	.....	1	1	1	-	EGY,E1,LJ,LJE,LTE,LTE1,LWD,L1,SIE	
			1	1	-	-	1001160 PH,PX,P1,QA,QAE,QFE,QH,QHE,QN,QNE,QX,QXE,Q1,SH,SHE,SJ,SJE,SN SNE,SX,SXE,S1,VF,VH,VHE,VN,VNE,VX,VXE,V1	
			1	-	-	-	LH,LHE,PA,PAA,QAA,QAAE,VA,VAA,VAAE,VAE	
			1	-	-	-	1009285 VBB,VBL	
			1	-	-	-	1009472 QB,QBE,SB,SBE,VB,VBE	
			-	-	1	-	SJ,SJE	
	122A0-ZG3-880	.....	1	-	-	1	1009286 1011968 VBB,VBL	
			1	-	-	-	1009473 1011957 QB,QBE,SB,SBE,VB,VBE	
	12200-ZG3-010	.....	1	-	-	-	1011958 QB,QBE,SB,SBE,VB,VBE	
			1	-	-	-	1011969 VBB,VBL	
			-	-	1	-	LH,LHE,PA,PAA,PH,PX,QA,QAA,QAAE,QAE,QB,QBE,QH,QHE,QHE4,QHQ4 QHX,QHX4,QX,QXE,QXE4,SB,SBE,SH,SHE,SHE4,SN,SNE,SX,SXE,SXE4,SXQ4,VA VAA,VAAE,VAE,VB,VBB,VBE,VBL,VBX,VBX1,VGB,VH,VHE,VX,VXE	
3	12216-ZE2-300	CLIP, VALVE GUIDE .....	2	2	2	2		
4	12218-ZG3-003	GUIDE, VALVE (OVER SIZE) .....	(2)	(2)	(2)	(2)		
5	12251-ZG3-000	GASKET, CYLINDER HEAD (A)(1.1)	1	-	1	-	LH,LHE,PA,PAA,PH,PX,QA,QAA,QAAE,QAE,QB,QBE,QFE,QH,QHE,QHE4 QHQ4,QHX,QHX4,QN,QNE,QX,QXE,QXE4,SB,SBE,SH,SHE,SHE4,SN,SNE,SX,SXE,SXE4,SXQ4,VA,VAA,VAAE,VAE,VB,VBB,VBE,VBL,VBX,VBX1,VF,VGB VH,VHE,VN,VNE,VX,VXE	
			(1)	-	(1)	-	EGY,LJ,LJE,LTE,LTE1,LWD,SIE,SJ,SJE	
			-	(1)	-	(1)		



Ref. No.	Part No.	Description	Reqd. QTY				Serial No.	Parts catalogue code
			GD410		GD411			
			(1)	(2)	(1)	(2)		
(5)	12252-ZG3-000	GASKET, CYLINDER HEAD (B)(1.2)	1	-	1	-	-----	LH,LHE,PA,PAA,PH,PX,QA,QAA,QAAE,QAE,QB,QBE,QFE,QH,QHE,QHE4,QHQ4,QHX,QHX4,QN,QNE,QX,QXE,QXE4,SB,SBE,SH,SHE,SHE4,SN,SNE,SX,SXE,SXE4,SXQ4,VA,VAA,VAAE,VAE,VB,VBB,VBE,VBL,VBX,VBX1,VF,VGB,VH,VHE,VN,VNE,VX,VXE
			(1)	-	(1)	-	-----	EGY,LJ,LJE,LTE,LTE1,LWD,SIE,SJ,SJE
	12253-ZG3-000	GASKET, CYLINDER HEAD (C)(1.3)	1	-	1	-	-----	LH,LHE,PA,PAA,PH,PX,QA,QAA,QAAE,QAE,QB,QBE,QFE,QH,QHE,QHE4,QHQ4,QHX,QHX4,QN,QNE,QX,QXE,QXE4,SB,SBE,SH,SHE,SHE4,SN,SNE,SX,SXE,SXE4,SXQ4,VA,VAA,VAAE,VAE,VB,VBB,VBE,VBL,VBX,VBX1,VF,VGB,VH,VHE,VN,VNE,VX,VXE
			(1)	-	(1)	-	-----	EGY,LJ,LJE,LTE,LTE1,LWD,SIE,SJ,SJE
	12254-ZG3-000	GASKET, CYLINDER HEAD (D)(1.4)	(1)	(1)	-	-	-----	1000470 PH,PX,P1,QA,QAE,QFE,QH,QHE,QN,QNE,QX,QXE,Q1,SH,SHE,SJ,SJE,SN,SNE,SX,SXE,S1,VF,VH,VHE,VN,VNE,VX,VXE,V1
6	50318-ZC6-000	RUBBER, STOPPER .....	1	-	1	-	-----	EGY
7	90404-ZG3-000	WASHER, 10MM .....	4	4	4	4		
8	92900-06032-3B	BOLT, STUD, 6X32 .....	2	2	2	2		
9	92900-08022-0B	BOLT, STUD, 8X22 .....	2	-	2	-	-----	EGY
	92900-08028-0B	BOLT, STUD, 8X28 .....	2	-	2	-	-----	LH,LHE,LJ,LJE,LTE,LTE1,LWD,PA,PAA,PH,PX,QA,QAA,QAAE,QAE,QB,QBE,QFE,QH,QHE,QHE4,QHQ4,QHX,QHX4,QN,QNE,QX,QXE,QXE4,SB,SBE,SH,SHE,SHE4,SIE,SJ,SJE,SN,SNE,SX,SXE,SXE4,SXQ4,VA,VAA,VAAE,VAE,VB,VBB,VBE,VBL,VBX,VBX1,VF,VGB,VH,VHE,VN,VNE,VX,VXE
10	94050-10000	NUT, FLANGE, 10MM .....	-	2	-	2		
			4	4	4	4		
11	94301-12200	DOWEL PIN, 12X20 .....	2	-	-	-		
			-	(2)	-	-	-----	1008802
			-	2	-	-	-----	1008803
			-	-	2	2		
12	95701-06028-00	BOLT, FLANGE, 6X28 .....	2	2	2	2		
13	95701-08020-00	BOLT, FLANGE, 8X20 .....	2	-	2	-	-----	EGY





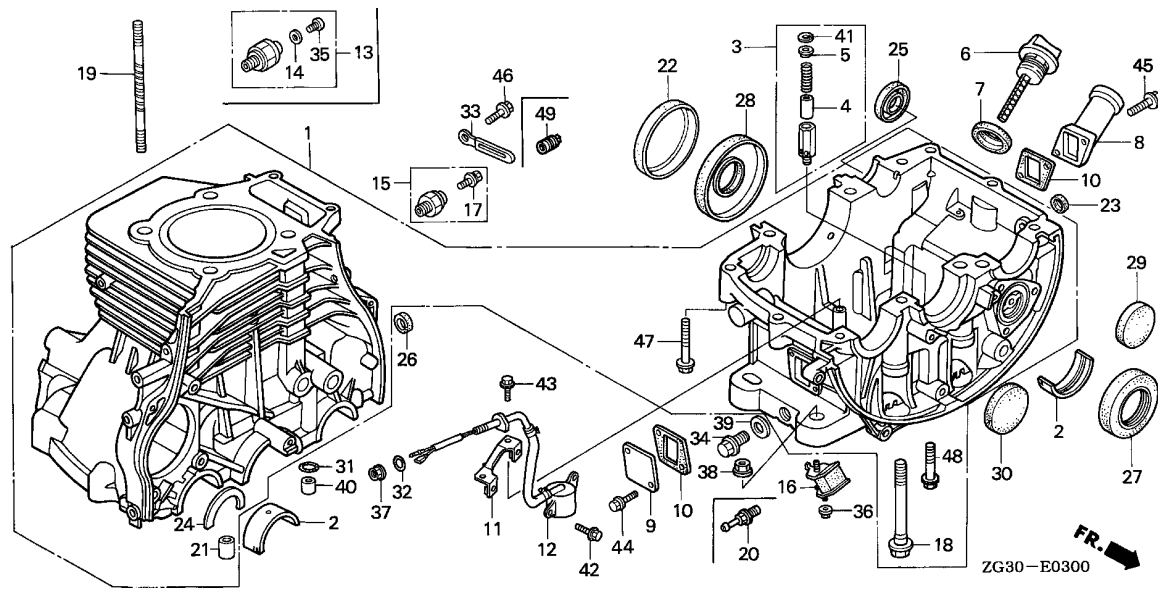
Service item	F.R.T.
EXTENSION, OIL FILLER .....	0.1
.RUBBER, ENGINE BOTTOM (ADD 0.1 FOR EACH.)	
.SWITCH, OIL PRESSURE	
PACKING, EXTENSION OIL FILLER	0.2
VALVE, RELIEF .....	1.0
OIL SEAL, 36X90X9 .....	1.1
O-RING, 14MM .....	1.2
.SWITCH ASSY., OIL LEVEL	
BEARING A, MAIN .....	1.6
BARREL ASSY., CYLINDER .....	2.8

Ref. No.	Part No.	Description	Reqd. QTY				Serial No.	Parts catalogue code
			GD410		GD411			
			(1)	(2)	(1)	(2)		
1	12000-ZG3-000	BARREL ASSY., CYLINDER .....	1	(1)	1	(1)	----- E1,SB,SH,SJ,SN,SX,SXQ4,S1	
	12000-ZG3-610	BARREL ASSY., CYLINDER (L-TYPE)	1	(1)	1	(1)	----- LH,LJ,L1	
	12000-ZG3-800	BARREL ASSY., CYLINDER (SEL)	1	(1)	1	(1)	----- EGY,E1,SBE,SHE,SHE4,SIE,SJE,SNE,SXE,SXE4,S1	
	12000-ZG3-830	BARREL ASSY., CYLINDER (L-TYPE/SEL)	1	(1)	1	(1)	----- LHE,LJE,LTE,LTE1,LWD,L1	
	12000-ZJ7-700	BARREL ASSY., CYLINDER (P-OIL ALERT)	-	-	-	(1)	----- P1	
	12000-ZJ7-860	BARREL ASSY., CYLINDER (S-OIL ALERT)	-	-	-	(1)	----- E1,S1	
	12000-ZJ7-871	BARREL ASSY., CYLINDER (Q-OIL ALERT)	-	-	1	(1)	----- QHX,QHX4,Q1,VBX,VBX1,V1	
	12000-ZJ7-880	BARREL ASSY., CYLINDER (L-OIL ALERT)	-	-	-	(1)	----- L1	
	12000-ZG3-600	BARREL ASSY., CYLINDER .....	1	(1)	1	(1)	----- QA,QAA,QB,QH,QHQ4,QN,QX,Q1,VA,VAA,VB,VBB,VF,VGB,VH,VN,VX,V1	
			1	-	-	-	1001307 PH,PX	
			-	(1)	-	-	1001059 P1	
	12000-ZG3-650	.....	1	-	1	(1)	PA,PAA,P1	
			1	-	-	-	1001308 PH,PX	
			-	(1)	-	-	1001060 P1	
			-	-	1	-	PH,PX	
	12000-ZG3-850	BARREL ASSY., CYLINDER (P-TYPE/SEL)	-	(1)	-	(1)	----- P1	
	12000-ZG3-820	BARREL ASSY., CYLINDER (Q-SEL)	1	-	1	(1)	----- P1,QAAE,QAQ,QBE,QFE,QHE,QHE4,QNE,QXE,QXE4,VAAE,VAE,VBE,VBL,VHE VNE,VXE	
			-	(1)	-	(1)	----- Q1,V1	
	12000-ZG3-871	BARREL ASSY., CYLINDER (L-TYPE/OIL ALERT)	-	(1)	-	(1)	----- L1	

Ref. No.	Part No.	Description	Reqd. QTY				Serial No.	Parts catalogue code
			GD410		GD411			
			(1)	(2)	(1)	(2)		
(1)	12000-ZG3-890	BARREL ASSY., CYLINDER (Q-OIL ALERT)	-	-	-	(1)	----- 1001658 Q1,V1	
	12000-ZG3-701	BARREL ASSY., CYLINDER (P-OIL ALERT)	-	(1)	-	(1)	----- P1	
	12000-ZG3-891	BARREL ASSY., CYLINDER (Q-OIL ALERT)	-	(1)	-	-	----- Q1,V1	
			-	-	-	(1)	1001659 ----- Q1,V1	
	12000-ZG3-861	BARREL ASSY., CYLINDER (S-OIL ALERT)	-	(1)	-	(1)	----- E1,S1	
2	13321-ZG3-003	BEARING A, MAIN (BLUE) .....	2	2	2	2		
	13322-ZG3-003	BEARING B, MAIN (BLACK) .....	2	2	2	2		
	13323-ZG3-003	BEARING C, MAIN (BROWN) .....	2	2	2	2		
	13324-ZG3-003	BEARING D, MAIN (GREEN) .....	2	2	2	2		
	13325-ZG3-003	BEARING E, MAIN (YELLOW) .....	2	2	2	2		
	13326-ZG3-003	BEARING F, MAIN (PINK) .....	2	2	2	2		
	13327-ZG3-003	BEARING G, MAIN (RED) .....	2	2	2	2		
	13332-ZG3-000	BEARING A, MAIN (UNDER SIZE 0.25)(BLACK)	(2)	-	(2)	-	----- LH,LHE,PA,PAA,PH,PX,QA,QAA,QAAE,QAE,QB,QBE,QFE,QH,QHE,QHE4 QHQ4,QHX,QHX4,QN,QNE,QX,QXE,QXE4,SB,SBE,SH,SHE,SHE4,SJ,SJE,SN SNE,SX,SXE,SXE4,SXQ4,VA,VAA,VAAE,VAE,VB,VBB,VBE,VBL,VBX,VBX1 VF,VGB,VH,VHE,VN,VNE,VX,VXE ----- LJ,LJE,LWD,SIE	
			(2)	-	-	-	-----	
			-	(2)	-	(2)		
	13333-ZG3-000	BEARING B, MAIN (UNDER SIZE 0.25)(BROWN)	(2)	-	(2)	-	----- LH,LHE,PA,PAA,PH,PX,QA,QAA,QAAE,QAE,QB,QBE,QFE,QH,QHE,QHE4 QHQ4,QHX,QHX4,QN,QNE,QX,QXE,QXE4,SB,SBE,SH,SHE,SHE4,SJ,SJE,SN SNE,SX,SXE,SXE4,SXQ4,VA,VAA,VAAE,VAE,VB,VBB,VBE,VBL,VBX,VBX1 VF,VGB,VH,VHE,VN,VNE,VX,VXE ----- LJ,LJE,LWD,SIE	
			(2)	-	-	-	-----	
			-	(2)	-	(2)		
	13334-ZG3-000	BEARING C, MAIN (UNDER SIZE 0.25)(GREEN)	(2)	-	(2)	-	----- LH,LHE,PA,PAA,PH,PX,QA,QAA,QAAE,QAE,QB,QBE,QFE,QH,QHE,QHE4 QHQ4,QHX,QHX4,QN,QNE,QX,QXE,QXE4,SB,SBE,SH,SHE,SHE4,SJ,SJE,SN SNE,SX,SXE,SXE4,SXQ4,VA,VAA,VAAE,VAE,VB,VBB,VBE,VBL,VBX,VBX1 VF,VGB,VH,VHE,VN,VNE,VX,VXE ----- LJ,LJE,LWD,SIE	
			(2)	-	-	-	-----	
			-	(2)	-	(2)		
	13336-ZG3-000	BEARING A, MAIN (UNDER SIZE 0.50)(BLACK)	(2)	-	(2)	-	----- LH,LHE,PA,PAA,PH,PX,QA,QAA,QAAE,QAE,QB,QBE,QFE,QH,QHE,QHE4 QHQ4,QHX,QHX4,QN,QNE,QX,QXE,QXE4,SB,SBE,SH,SHE,SHE4,SJ,SJE,SN SNE,SX,SXE,SXE4,SXQ4,VA,VAA,VAAE,VAE,VB,VBB,VBE,VBL,VBX,VBX1 VF,VGB,VH,VHE,VN,VNE,VX,VXE ----- LJ,LJE,LWD,SIE	
			(2)	-	-	-	-----	
			-	(2)	-	(2)		
	13337-ZG3-000	BEARING B, MAIN (UNDER SIZE 0.50)(BROWN)	(2)	-	(2)	-	----- LH,LHE,PA,PAA,PH,PX,QA,QAA,QAAE,QAE,QB,QBE,QFE,QH,QHE,QHE4 QHQ4,QHX,QHX4,QN,QNE,QX,QXE,QXE4,SB,SBE,SH,SHE,SHE4,SJ,SJE,SN SNE,SX,SXE,SXE4,SXQ4,VA,VAA,VAAE,VAE,VB,VBB,VBE,VBL,VBX,VBX1 VF,VGB,VH,VHE,VN,VNE,VX,VXE ----- LJ,LJE,LWD,SIE	
			(2)	-	-	-	-----	
			-	(2)	-	(2)		
	13338-ZG3-000	BEARING C, MAIN (UNDER SIZE 0.50)(GREEN)	(2)	-	(2)	-	----- LH,LHE,PA,PAA,PH,PX,QA,QAA,QAAE,QAE,QB,QBE,QFE,QH,QHE,QHE4 QHQ4,QHX,QHX4,QN,QNE,QX,QXE,QXE4,SB,SBE,SH,SHE,SHE4,SJ,SJE,SN SNE,SX,SXE,SXE4,SXQ4,VA,VAA,VAAE,VAE,VB,VBB,VBE,VBL,VBX,VBX1 VF,VGB,VH,VHE,VN,VNE,VX,VXE ----- LJ,LJE,LWD,SIE	
			(2)	-	-	-	-----	
			-	(2)	-	(2)		

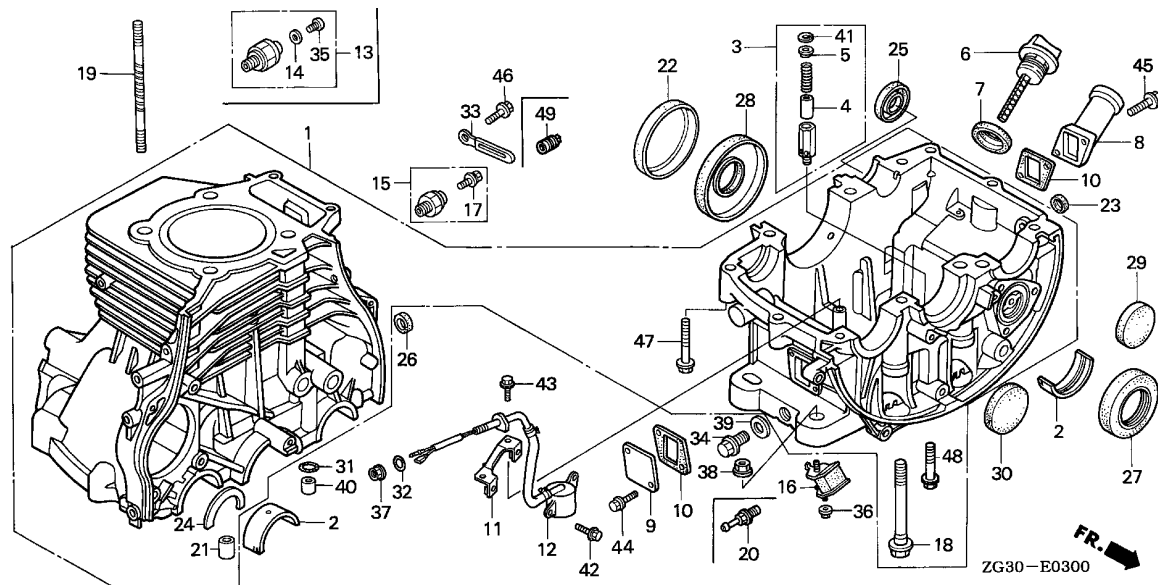






Ref. No.	Part No.	Description	Reqd. QTY				Serial No.	Parts catalogue code
			GD410		GD411			
			(1)	(2)	(1)	(2)		
(2)	13342-ZG3-000	BEARING A, MAIN (UNDER SIZE 0.75)(BLACK)	(2)	-	(2)	-	-----	LH,LHE,PA,PAA,PH,PX,QA,QAA,QAAE,QAE,QB,QBE,QFE,QH,QHE,QHE4 QHQ4,QHX,QHX4,QN,QNE,QX,QXE,QXE4,SB,SBE,SH,SHE,SHE4,SJ,SJE,SN SNE,SX,SXE,SXE4,SXQ4,VA,VAA,VAAE,VAE,VB,VBB,VBE,VBL,VBX,VBX1 VF,VGB,VH,VHE,VN,VNE,VX,VXE
			(2)	-	-	-	-----	LJ,LJE,LWD,SIE
	13343-ZG3-000	BEARING B, MAIN (UNDER SIZE 0.75)(BROWN)	(2)	-	(2)	-	-----	LH,LHE,PA,PAA,PH,PX,QA,QAA,QAAE,QAE,QB,QBE,QFE,QH,QHE,QHE4 QHQ4,QHX,QHX4,QN,QNE,QX,QXE,QXE4,SB,SBE,SH,SHE,SHE4,SJ,SJE,SN SNE,SX,SXE,SXE4,SXQ4,VA,VAA,VAAE,VAE,VB,VBB,VBE,VBL,VBX,VBX1 VF,VGB,VH,VHE,VN,VNE,VX,VXE
			(2)	-	-	-	-----	LJ,LJE,LWD,SIE
	13344-ZG3-000	BEARING C, MAIN (UNDER SIZE 0.75)(GREEN)	(2)	-	(2)	-	-----	LH,LHE,PA,PAA,PH,PX,QA,QAA,QAAE,QAE,QB,QBE,QFE,QH,QHE,QHE4 QHQ4,QHX,QHX4,QN,QNE,QX,QXE,QXE4,SB,SBE,SH,SHE,SHE4,SJ,SJE,SN SNE,SX,SXE,SXE4,SXQ4,VA,VAA,VAAE,VAE,VB,VBB,VBE,VBL,VBX,VBX1 VF,VGB,VH,VHE,VN,VNE,VX,VXE
			(2)	-	-	-	-----	LJ,LJE,LWD,SIE
3	15220-413-020	VALVE ASSY., RELIEF .....	1	1	1	1		
4	15231-413-020	VALVE, RELIEF .....	1	1	1	1		
5	15233-413-000	SEAT, RELIEF VALVE .....	1	1	1	1		
6	15620-ZG3-000	CAP, OIL FILLER .....	1	1	1	1		

Ref. No.	Part No.	Description	Reqd. QTY		Serial No.	Parts catalogue code				
			GD410 (1) (2)	GD411 (1) (2)						
7	15625-750-800	PACKING, OIL FILLER CAP .....	1	1	-	-----	1007678 E1,P1,Q1,SJ,SJE,S1,V1			
			1	1	-	-----	1008804 LJ,LJE,L1			
			1	-	-	-----	EGY,QN,QNE,SN,SNE,VN,VNE			
			1	-	-	-----	1007093 SIE			
			1	-	-	-----	1007223 QB,QBE,SB,SBE,VB,VBE			
			1	-	-	-----	1007235 PH,PX,QA,QAE,QFE,QH,QHE,QX,QXE,SH,SHE,SX,SXE,VF,VH,VHE,VX,VXE			
			1	-	-	-----	1008555 LH,LHE			
			1	-	-	-----	1009447 PA,PAA,QAA,QAAE,VA,VAA,VAAE,VAE			
			-	-	1	-----	1003033 EGY			
			15625-ZE8-000	.....	.....	1	1	-	-----	1007679 E1,P1,Q1,SJ,SJE,S1,V1
						1	1	-	-----	1008805 LJ,LJE,L1
						1	-	1	-----	LTE,LTE1,LWD,QHE4,QHQ4,QHX,QHX4,QXE4,SHE4,SXE4,SXQ4,VBB,VBL VBX,VBX1,VGB
						1	-	-	-----	1007094 SIE
						1	-	-	-----	1007224 QB,QBE,SB,SBE,VB,VBE
1	-	-				-----	1007236 PH,PX,QA,QAE,QFE,QH,QHE,QX,QXE,SH,SHE,SX,SXE,VF,VH,VHE,VX,VXE			
1	-	-				-----	1008556 LH,LHE			
1	-	-				-----	1009448 PA,PAA,QAA,QAAE,VA,VAA,VAAE,VAE			
-	-	1				-----	LH,LHE,LJ,LJE,PA,PAA,PH,PX,QA,QAA,QAAE,QAE,QB,QBE,QH,QHE,QX QXE,SB,SBE,SH,SHE,SIE,SJ,SJE,SX,SXE,VA,VAA,VAAE,VAE,VB,VBE,VH VHE,VX,VXE			
-	-	1				-----	1003034 EGY			
-	-	-				-----	1			
8	15631-ZG3-000	EXTENSION, OIL FILLER .....				1	1	1	1	
9	15634-ZG3-000	PLATE, EXTENSION .....				1	1	1	1	
10	15635-ZG3-000	PACKING, EXTENSION OIL FILLER				2	(2)	-	-----	LH,LHE,LJ,LJE,LWD,L1,QAAE,QN,QNE,SN,SNE,VN,VNE
			2	-	-	-----	1021215 SJ,SJE			
			2	-	-	-----	1021266 PA,PAA,PH,PX,QA,QAA,QAE,QB,QBE,QFE,QH,QHE,QX,QXE,SB,SBE,SH,SHE SX,SXE,VA,VAA,VAAE,VAE,VB,VBB,VBE,VBL,VF,VH,VHE,VX,VXE			
			-	(2)	-	-----	1021241 E1,P1,Q1,S1,V1			
			15635-ZG3-800	PACKING, EXTENSION OIL FILLER (NON ASBEST)	2	(2)	-	-----	EGY,L1,SIE	
					2	-	-	-----	1021216 SJ,SJE	
					-	(2)	-	-----	1021618 E1,P1,Q1,S1,V1	
					2	-	-	-----	1021267 PA,PAA,PH,PX,QA,QAA,QAE,QB,QBE,QFE,QH,QHE,QX,QXE,SB,SBE,SH,SHE SX,SXE,VA,VAA,VAAE,VAE,VB,VBB,VBE,VBL,VF,VH,VHE,VX,VXE	
					-	2	-	-----	1021619 E1,P1,Q1,S1,V1	
					-	-	2	-----	2	
			11	35418-ZG3-610	STAY, OIL LEVEL SWITCH .....	-	(1)	-	-----	L1,P1,Q1,S1,V1
						-	-	(1)	-----	
			12	35480-ZG3-611	SWITCH ASSY., OIL LEVEL .....	-	(1)	-	-----	L1,P1,Q1,S1,V1
						-	-	(1)	-----	
13	37200-935-004	SWITCH, OIL PRESSURE .....	1	-	1	-----	SIE			
14	37202-935-004	WASHER, 4MM .....	1	-	1	-----	SIE			
15	37240-ZG3-E01	SWITCH, OIL PRESSURE .....	1	-	1	-----	EGY,SIE			
16	68325-ZC8-000	RUBBER, ENGINE BOTTOM .....	4	-	4	-----	EGY			
			1	-	1	-----	EGY,SIE			
			17	90002-ZG5-004	SCREW-WASHER, 4X8 .....	4	(4)	4	(4)	
			18	90005-ZG3-003	BOLT-WASHER, 11X115 .....	4	(4)	4	(4)	
			19	90020-ZG3-003	BOLT, STUD, 10X103.5 .....	4	-	-	-----	
						-	(4)	-	-----	1009059
-	-	4	-	-	-----	1009060				
-	-	4	-	-	-----	4				
20	90031-ZG3-E00	PLUG, OIL DRAIN .....	1	-	-	-----	1018826 EGY			
			-	-	1	-----	EGY			
21	90715-PC6-000	DOWEL PIN, 13X20 .....	3	(3)	3	(3)				



Ref. No.	Part No.	Description	Reqd. QTY				Serial No.	Parts catalogue code
			GD410		GD411			
			(1)	(2)	(1)	(2)		
22	90805-ZG3-610	PLUG, SEALING, 90X8	1	1	-	-	1008854 LJ,LJE,L1	
	90805-ZG3-611	PLUG, SEALING, 90X9	1	1	-	-	1008824 LH,LHE	
			1	-	1	-	1008855 LJ,LJE,L1	
			1	-	-	-	LTE,LTE1,LWD	
			1	-	-	-	1008825 LH,LHE	
			-	-	1	1	LH,LHE,LJ,LJE,L1	
23	91201-ZE9-003	OIL SEAL, 8X14X5	1	1	1	1	EGY,LH,LHE,LJ,LJE,LTE,LTE1,LWD,L1,PA,PAA,PH,PX,QA,QAA,QAAE,QAE	
							QB,QBE,QFE,QH,QHE,QHE4,QHQ4,QHX,QHX4,QN,QNE,QX,QXE,QXE4,SB,SBE	
							SH,SHE,SHE4,SJ,SJE,SN,SNE,SX,SXE,SXE4,VA,VAA,VAAE,VAE,VB	
							VBB,VBE,VBL,VBX,VBX1,VF,VGB,VH,VHE,VN,VNE,VX,VXE	
	90851-ZG3-000	PLUG, SEALING	1	-	1	-	SIE	
			-	(1)	-	(1)		
24	91003-ZG3-000	SET RING, 90MM	1	(1)	1	(1)	PA,PAA,P1	
			1	-	-	-	1001308 PH,PX	
			1	-	1	-	PH,PX	
25	91201-ZE3-004	OIL SEAL, 35X52X8	1	-	-	-	LH,LHE,LJ,LJE,LWD	
			-	(1)	-	-	1008802 L1	
			-	1	-	-	1008803 L1	
			-	-	1	1	LH,LHE,LJ,LJE,LTE,LTE1,LWD,L1	
26	91201-ZE9-003	OIL SEAL, 8X14X5	1	(1)	1	-	E1,P1,Q1,S1,V1	
			-	-	-	(1)		
27	91201-ZG3-000	OIL SEAL, 40X67X10	1	1	-	-	1001159 PH,PX,P1,QA,QAE,QFE,QH,QHE,QN,QNE,QX,QXE,Q1,SH,SHE,SJ,SJE,SN	
							SNE,SX,SXE,S1,VF,VH,VHE,VN,VNE,VX,VXE,V1	
	91201-ZG3-003		1	1	-	-	EGY,E1,LH,LHE,LJ,LJE,LWD,L1,PA,PAA,QAA,QAAE,QB,QBE,SB,SBE,SIE	
							VA,VAA,VAAE,VAE,VB,VBB,VBE,VBL	
			1	1	-	-	1001160 PH,PX,P1,QA,QAE,QFE,QH,QHE,QN,QNE,QX,QXE,Q1,SH,SHE,SJ,SJE,SN	
			-	-	1	1	SNE,SX,SXE,S1,VF,VH,VHE,VN,VNE,VX,VXE,V1	

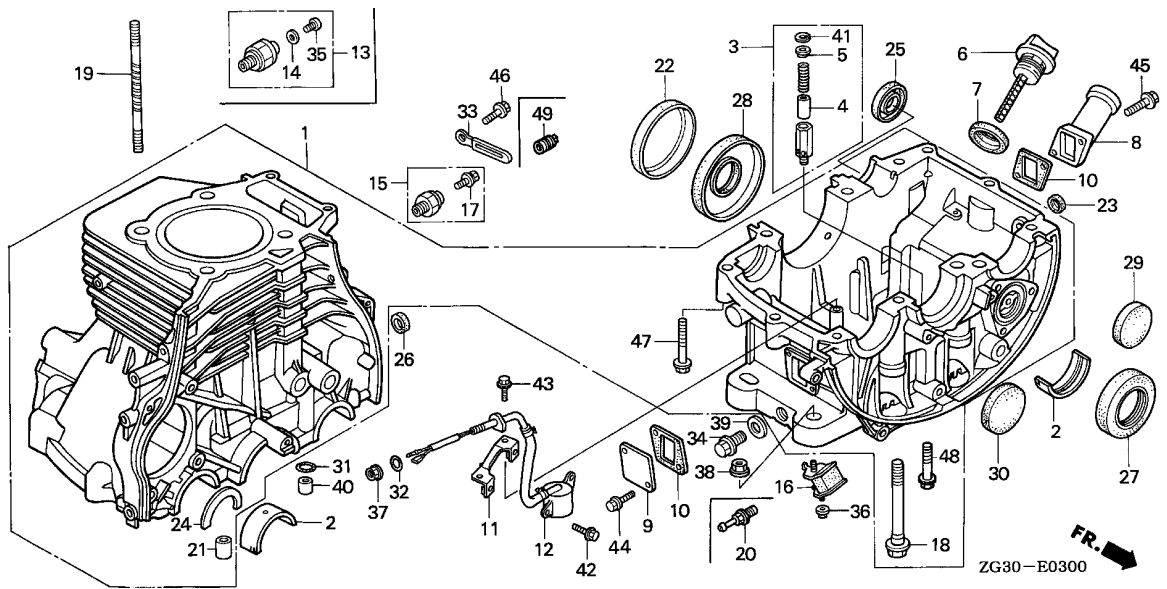
E-3

CYLINDER BARREL



Ref. No.	Part No.	Description	Reqd. QTY				Serial No.	Parts catalogue code	
			GD410 (1)	GD410 (2)	GD411 (1)	GD411 (2)			
28	91202-ZG3-000	OIL SEAL, 36X90X9 .....	1	1	-	-	1001159	PH,PX,P1,QA,QAE,QFE,QH,QHE,QN,QNE,QX,QXE,Q1,SH,SHE,SJ,SJE,SN SNE,SX,SXE,S1,VF,VH,VHE,VN,VNE,VX,VXE,V1	
	91202-ZG3-003	.....	1	1	1	1	-----	EGY,E1,PA,PAA,QAA,QAAE,QB,QBE,QHE4,QHQ4,QHX,QHX4,QXE4,SB,SBE SHE4,SIE,SXE4,SXQ4,VA,VAA,VAAE,VAE,VB,VBB,VBE,VBL,VBX,VBX1,VGB	
			1	1	-	-	1001160	-----	PH,PX,P1,QA,QAE,QFE,QH,QHE,QN,QNE,QX,QXE,Q1,SH,SHE,SJ,SJE,SN SNE,SX,SXE,S1,VF,VH,VHE,VN,VNE,VX,VXE,V1
			-	-	1	1	-----	PH,PX,P1,QA,QAE,QH,QHE,QX,QXE,Q1,SH,SHE,SJ,SJE,SX,SXE,S1,VH VHE,VX,VXE,V1	
29	91204-ZG3-000	PLUG, SEALING, 47MM .....	1	(1)	-	-	1001159	PH,PX,P1,QA,QAE,QFE,QH,QHE,QN,QNE,QX,QXE,Q1,SH,SHE,SJ,SJE,SN SNE,SX,SXE,S1,VF,VH,VHE,VN,VNE,VX,VXE,V1	
	91204-ZG3-003	.....	1	-	-	-	-----	EGY,LH,LHE,LJ,LJE,LWD,PA,PAA,QAA,QAAE,QB,QBE,SB,SBE,SIE,VA,VAA VAAE,VAE,VB,VBB,VBE,VBL	
			1	-	-	-	1001160	-----	PH,PX,QA,QAE,QFE,QH,QHE,QN,QNE,QX,QXE,SH,SHE,SJ,SJE,SN,SNE,SX SXE,VF,VH,VHE,VN,VNE,VX,VXE
			-	(1)	-	-	1008802	-----	E1,L1
			-	(1)	-	-	1001160	-----	1008802 P1,Q1,S1,V1
			-	1	-	-	1008803	-----	
			-	1	1	1			
30	91205-ZG3-000	PLUG, SEALING, 52MM .....	1	1	1	1			
31	91301-812-000	O-RING, 10MM .....	1	-	-	-			
			-	(1)	-	-	1008802	-----	
			-	1	-	-	1008803	-----	
			-	-	1	1			
32	91353-671-004	O-RING, 14MM(NOK) .....	-	(1)	-	-	-----	L1,P1,Q1,S1,V1	
			-	-	-	(1)			
33	91405-MG1-000	CLIP, WIRE HARNESS .....	1	-	1	-	-----	SIE	
34	92800-14000	BOLT, DRAIN PLUG, 14MM .....	1	-	-	-			
			-	(1)	-	-	1008802	-----	
			-	1	-	-	1008803	-----	
			-	-	1	1			
35	93500-04006-3J	SCREW, PAN, 4X6 .....	1	-	1	-	-----	SIE	
36	94050-08080	NUT, FLANGE, 8MM .....	4	-	4	-	-----	EGY	
37	94050-10000	NUT, FLANGE, 10MM .....	-	(1)	-	-	-----	L1,P1,Q1,S1,V1	
			-	-	-	(1)			
38	94050-10080	NUT, FLANGE, 10MM .....	4	-	4	-	-----	EGY	
39	94109-14000	WASHER, DRAIN PLUG, 14MM .....	1	-	-	-			
			-	(1)	-	-	1008802	-----	
			-	1	-	-	1008803	-----	
			-	-	1	1			
40	94301-10160	DOWEL PIN, 10X16 .....	1	-	-	-			
			-	(1)	-	-	1008802	-----	
			-	1	-	-	1008803	-----	
			-	-	1	1			
41	94520-12000	CIRCLIP, INTERNAL, 12MM .....	1	1	1	1			
42	95701-06012-08	BOLT, FLANGE, 6X12 .....	-	(2)	-	-	-----	L1,P1,Q1,S1,V1	
			-	-	-	(2)			
43	95701-06014-08	BOLT, FLANGE, 6X14 .....	-	(2)	-	-	-----	L1,P1,Q1,S1,V1	
			-	-	-	(2)	1001291	-----	
	90013-883-000	BOLT, FLANGE, 6X12(CT200) ...	-	-	-	(2)	1001292	-----	
44	95701-06016-00	BOLT, FLANGE, 6X16 .....	2	2	2	2			
45	95701-06022-00	BOLT, FLANGE, 6X22 .....	2	2	2	2			
46	95701-08016-00	BOLT, FLANGE, 8X16 .....	1	-	1	-	-----	SIE	



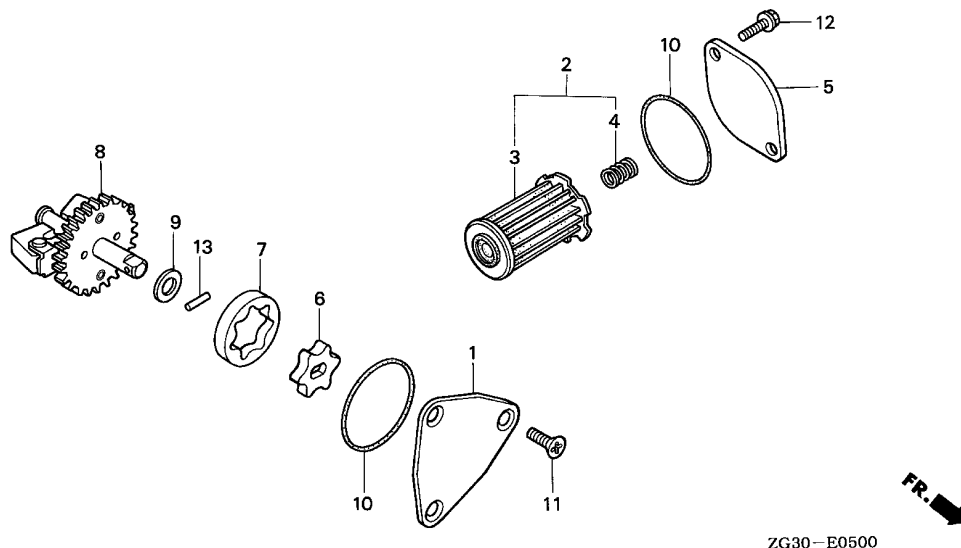


Ref. No.	Part No.	Description	Reqd. QTY		Serial No.	Parts catalogue code		
			GD410 (1) (2)	GD411 (1) (2)				
47	95701-08040-00	BOLT, FLANGE, 8X40 .....	7	(7)	-	1000905	P1,Q1,SJ,SJE,S1,V1	
			7	-	-	1004084	SIE	
			6	(6)	-	-	EGY,E1,LH,LHE,LJ,LJE,LWD,L1,PA,PAA,PH,PX,QA,QAA,QAAE,QAE,QB,QBE,QFE,QH,QHE,QN,QNE,QX,QXE,SB,SBE,SH,SHE,SN,SNE,SX,SXE,VA,VAA,VAE,VB,VBB,VBE,VBL,VF,VH,VHE,VN,VNE,VX,VXE	
			6	(6)	-	1000906	P1,Q1,SJ,SJE,S1,V1	
48	95701-08040-00	BOLT, FLANGE, 8X40 .....	6	-	-	1004085	SIE	
			-	-	6	(6)	1000905	PH,PX,QAE,QFE,QH,QHE,QX,QXE,SH,SHE,SN,SNE,SX,SXE,VF,VH,VHE,VX,VXE
			1	(1)	-	-	95701-08050-00	BOLT, FLANGE, 8X50 .....
48	95701-08050-00	BOLT, FLANGE, 8X50 .....	1	(1)	-	-	EGY,E1,LH,LHE,LJ,LJE,LWD,L1,PA,PAA,QA,QAA,QAAE,QB,QBE,QN,QNE,SB,SBE,VA,VAA,VAE,VB,VBB,VBE,VBL,VN,VNE	
			1	(1)	-	1000906	PH,PX,P1,QAE,QFE,QH,QHE,QX,QXE,Q1,SH,SHE,SJ,SJE,SN,SNE,SX,SXE,S1,VF,VH,VHE,VX,VXE,V1	
			1	-	-	1004085	SIE	
49	12105-ZA0-701	BOLT, SEALING .....	-	-	1	(1)	-	
			-	-	1	-	LTE,LTE1,QH,QHE,QHE4,QHQ4,QHX,QHX4,QXE,QXE4,SHE,SHE4,SX,SXE,SXE4,SXQ4,VB,VBX1	

E-5

OIL PUMP

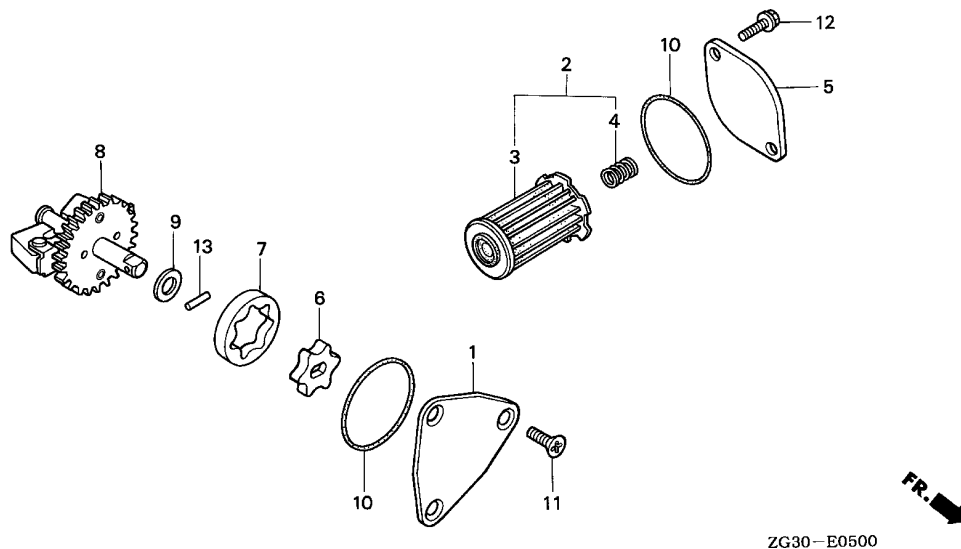
D13



Service item	F.R.T.
STRAINER COMP., OIL .....	0.1
.STRAINER, OIL	
ROTOR, OIL PUMP INNER .....	0.8
.ROTOR, OIL PUMP OUTER	
WEIGHT COMP., GOVERNOR .....	1.1

Ref. No.	Part No.	Description	Reqd. QTY				Serial No.	Parts catalogue code
			GD410		GD411			
			(1)	(2)	(1)	(2)		
1	15121-ZG3-000	COVER, OIL PUMP .....	1	1	1	1		
2	15220-ZG3-000	STRAINER COMP., OIL .....	1	1	-	-	1013342 ----- LH,LHE,LJ,LJE,L1,SIE	
			1	1	-	-	1014151 ----- E1,P1,Q1,SJ,SJE,S1,V1	
			1	-	-	-	----- EGY,LWD,VBL	
			1	-	-	-	1013442 ----- QB,QBE,SB,SBE,VB,VBE	
			1	-	-	-	1013492 ----- PA,PAA,PH,PX,QA,QAA,QAAE,QAE,QFE,QH,QHE,QX,QXE,SH,SHE,SX,SXE	
							VA,VAA,VAE,VAE,VBB,VF,VH,VHE,VX,VXE	
3	15221-ZG3-000	STRAINER, OIL .....	-	-	1	1		
			1	1	-	-	1013341 LH,LHE,LJ,LJE,L1,SIE	
			1	1	-	-	1014150 E1,P1,Q1,SJ,SJE,S1,V1	
			1	-	-	-	----- QN,QNE,SN,SNE,VN,VNE	
			1	-	-	-	1013441 QB,QBE,SB,SBE,VB,VBE	
			1	-	-	-	1013491 PA,PAA,PH,PX,QA,QAA,QAAE,QAE,QFE,QH,QHE,QX,QXE,SH,SHE,SX,SXE	
							VA,VAA,VAE,VAE,VBB,VF,VH,VHE,VX,VXE	
4	15223-ZG3-000	SPRING, OIL STRAINER .....	1	1	-	-		
			1	1	-	-	1013341 LH,LHE,LJ,LJE,L1,SIE	
			1	1	-	-	1014150 E1,P1,Q1,SJ,SJE,S1,V1	
			1	-	-	-	----- QN,QNE,SN,SNE,VN,VNE	
			1	-	-	-	1013441 QB,QBE,SB,SBE,VB,VBE	
			1	-	-	-	1013491 PA,PAA,PH,PX,QA,QAA,QAAE,QAE,QFE,QH,QHE,QX,QXE,SH,SHE,SX,SXE	
							VA,VAA,VAE,VAE,VBB,VF,VH,VHE,VX,VXE	
	15223-ZG3-300	.....	1	1	-	-	1013342 ----- LH,LHE,LJ,LJE,L1,SIE	
			1	1	-	-	1014151 ----- E1,P1,Q1,SJ,SJE,S1,V1	
			1	-	-	-	----- EGY,LWD,VBL	
			1	-	-	-	1013442 ----- QB,QBE,SB,SBE,VB,VBE	
			1	-	-	-	1013492 ----- PA,PAA,PH,PX,QA,QAA,QAAE,QAE,QFE,QH,QHE,QX,QXE,SH,SHE,SX,SXE	
							VA,VAA,VAE,VAE,VBB,VF,VH,VHE,VX,VXE	
5	15224-ZG3-000	COVER, OIL STRAINER .....	-	-	1	1		
			1	1	1	1		

2

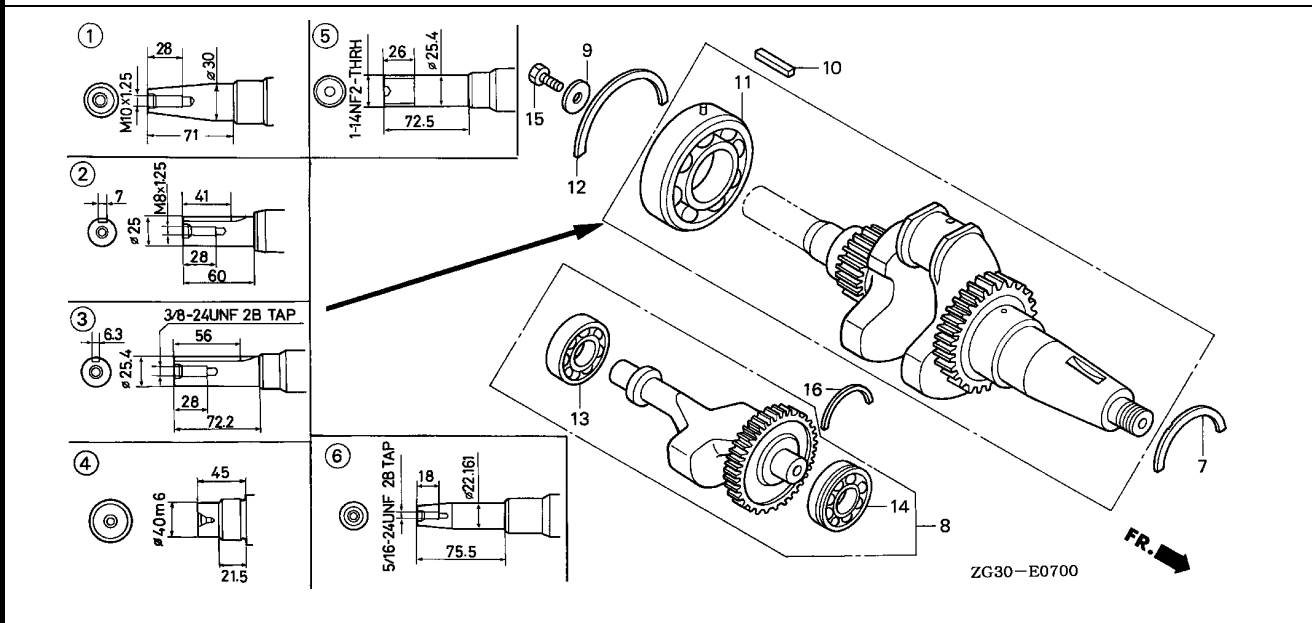


Ref. No.	Part No.	Description	Reqd. QTY				Serial No.	Parts catalogue code
			GD410 (1)	GD410 (2)	GD411 (1)	GD411 (2)		
6	15331-ZG3-003	ROTOR, OIL PUMP INNER .....	1	1	-	-	1002896	PH,PX,P1,QA,QAE,QFE,QH,QHE,QN,QNE,QX,QXE,Q1,SH,SHE,SJ,SJE,SN SNE,SX,SXE,S1,VF,VH,VHE,VN,VNE,VX,VXE,V1
	15331-ZG3-013	.....	1	1	-	-	-----	EGY,E1,LH,LHE,LJ,LJE,LWD,L1,PA,PAA,QAA,QAAE,QB,QBE,SB,SBE,SIE VA,VAA,VAE,VAE,VB,VBB,VBE,VBL
			1	1	-	-	1002897	PH,PX,P1,QA,QAE,QFE,QH,QHE,QN,QNE,QX,QXE,Q1,SH,SHE,SJ,SJE,SN SNE,SX,SXE,S1,VF,VH,VHE,VN,VNE,VX,VXE,V1
7	15341-ZG3-003	ROTOR, OIL PUMP OUTER .....	-	-	1	1		
8	16510-ZG3-010	WEIGHT COMP., GOVERNOR .....	1	1	1	1		
9	90443-ZG3-000	WASHER, 10.1MM .....	1	1	1	1		
10	91301-ZG3-000	O-RING, 42.2X2.4 .....	2	2	2	2		
11	93600-06016-0A	SCREW, FLAT, 6X16 .....	3	3	-	-	1000112	PH,PX,P1,QA,QAE,QFE,QH,QHE,QN,QNE,QX,QXE,Q1,SH,SHE,SJ,SJE,SN SNE,SX,SXE,S1,VF,VH,VHE,VN,VNE,VX,VXE,V1
	90011-ZG3-000	.....	3	3	-	-	-----	EGY,E1,LH,LHE,LJ,LJE,LWD,L1,PA,PAA,QAA,QAAE,QB,QBE,SB,SBE,SIE VA,VAA,VAE,VAE,VB,VBB,VBE,VBL
			3	3	-	-	1000113	PH,PX,P1,QA,QAE,QFE,QH,QHE,QN,QNE,QX,QXE,Q1,SH,SHE,SJ,SJE,SN SNE,SX,SXE,S1,VF,VH,VHE,VN,VNE,VX,VXE,V1
12	95701-06016-00	BOLT, FLANGE, 6X16 .....	-	-	3	3		
13	96220-30134	ROLLER, 3X13.4 .....	2	2	2	2		
			1	1	1	1		

E-7

CRANKSHAFT

D15

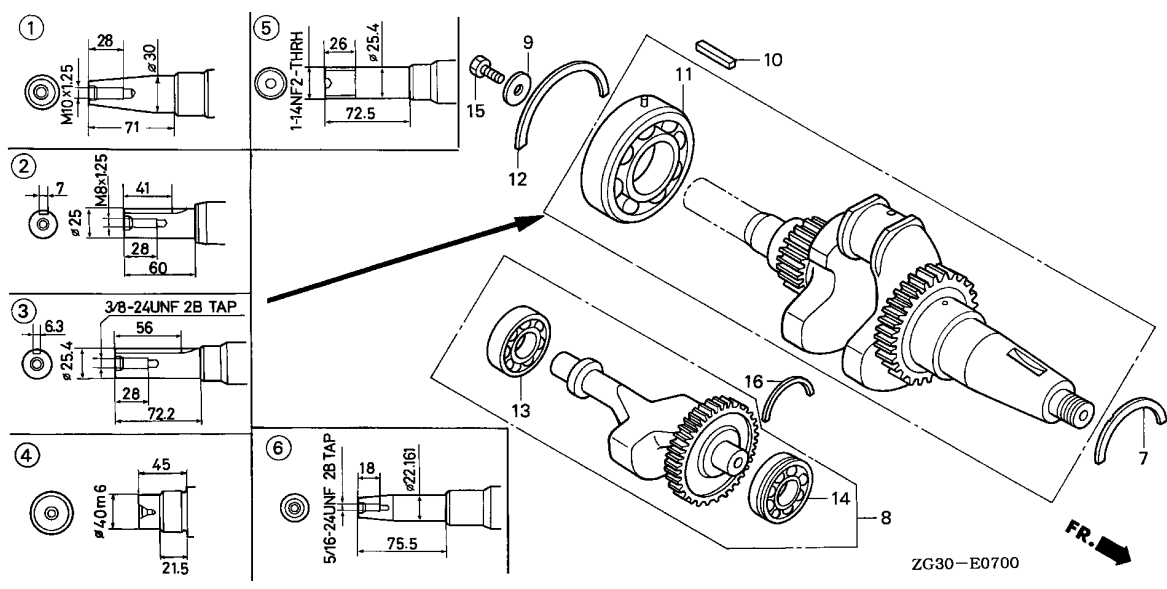


Service item	F.R.T.
WEIGHT COMP., BALANCER .....	1.2
BEARING, SPECIAL BALL, 6304 ..	1.3
CRANKSHAFT COMP. ....	1.6
BEARING, SPECIAL, 6308 .....	1.8

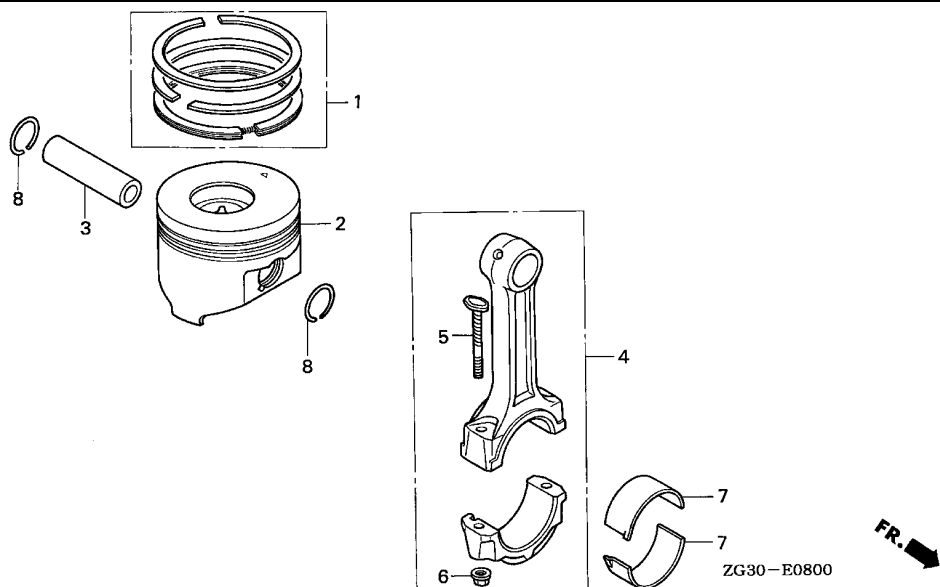
Ref. No.	Part No.	Description	Reqd. QTY				Serial No.	Parts catalogue code
			GD410		GD411			
			(1)	(2)	(1)	(2)		
1	13310-ZG3-E00	CRANKSHAFT COMP. ....	1	1	1	1	EGY,E1	
2	13310-ZG3-000	CRANKSHAFT COMP. ....	1	1	1	1	SB,SBE,SH,SHE,SHE4,SIE,SJ,SJE,SN,SNE,SX,SXE,SXE4,SXQ4,S1	
3	13310-ZG3-600	CRANKSHAFT COMP. ....	1	1	1	1	QA,QAA,QAAE,QAE,QB,QBE,QFE,QH,QHE,QHE4,QHQ4,QHX,QHX4,QN,QNE,QX,QXE,QXE4,Q1	
4	13310-ZG3-610	CRANKSHAFT COMP. ....	1	1	1	1	LH,LHE,LJ,LJE,LTE,LTE1,LWD,L1	
5	13310-ZG3-650	CRANKSHAFT COMP. ....	1	1	1	1	PA,PAA,PH,PX,P1	
6	13310-ZG3-670	CRANKSHAFT COMP. ....	1	1	1	1	VA,VAA,VAE,VAE,VB,VBB,VBE,VBL,VBX,VBX1,VF,VGB,VH,VHE,VN,VNE,VX,VXE,V1	
7	13316-ZG3-003	BEARING, CRANKSHAFT THRUST (A) (BLUE)	1	1	1	1		
	13317-ZG3-003	BEARING, CRANKSHAFT THRUST (B) (BLACK)	1	-	1	1	PA,PAA,PH,PX,P1	
	13318-ZG3-003	BEARING, CRANKSHAFT THRUST (C) (BROWN)	-	1	-	-	1002105 P1	
	13319-ZG3-003	BEARING, CRANKSHAFT THRUST (D) (GREEN)	1	-	1	1	PA,PAA,PH,PX,P1	
	13320-ZG3-003	BEARING, CRANKSHAFT THRUST (E) (YELLOW)	-	1	-	-	1002105 P1	
	13328-ZG3-003	BEARING, CRANKSHAFT THRUST (F) (PINK)	1	-	1	1	PA,PAA,PH,PX,P1	
			1	-	-	-	1000779 PH,PX	
			-	1	-	-	1002105 P1	
			-	-	1	-	PH,PX	
8	13350-ZG3-000	WEIGHT COMP., BALANCER .....	1	1	1	1		

2





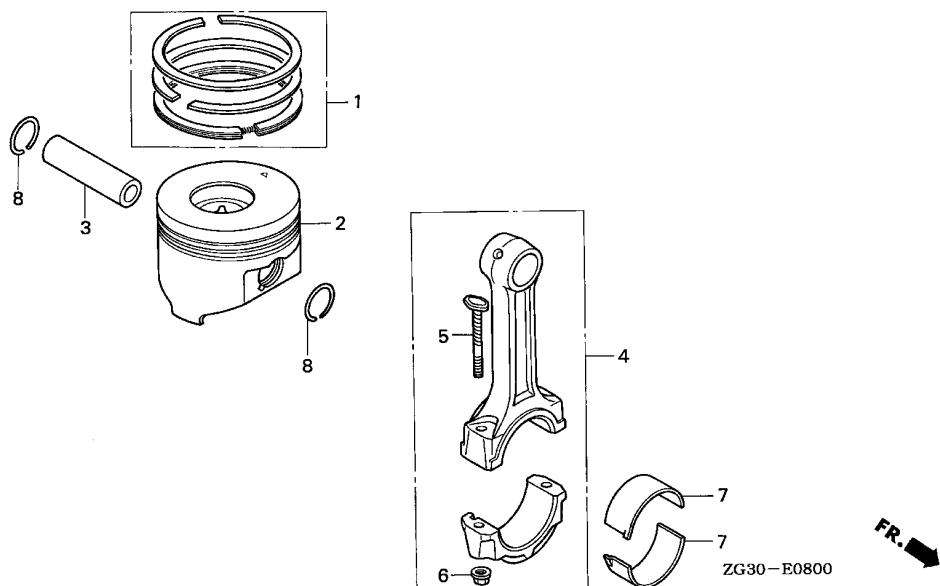
Ref. No.	Part No.	Description	Reqd. QTY				Serial No.	Parts catalogue code
			GD410		GD411			
			(1)	(2)	(1)	(2)		
9	90471-VB4-000	WASHER, 10.5X40X4	1	-	-	-	1018826 ----- EGY	
	90534-706-010	WASHER, LOCK, 8MM	1	-	-	-	EGY,LTE1	
	90471-ZE3-000	WASHER, 10.5X40X4	-	(1)	1	(1)	SJ,SJE	
10	90741-889-810	KEY, 7X7X33(YELLOW)	-	(1)	-	-	SJ,SJE,S1	
			1	-	1	-	Q1	
			1	-	-	-	LTE1,SB,SBE,SHE4,SN,SNE,SXE4,SXQ4	
			1	-	-	-	SIE	
	90745-ZE2-600	KEY, 6.3X6.3X43	1	-	1	-	1000113 ----- SH,SHE,SJ,SJE,SX,SXE	
			1	-	-	-	SH,SHE,SX,SXE	
			1	-	-	-	QAA,QAAE,QB,QBE,QHE4,QHQ4,QHX,QHX4,QN,QNE,QXE4	
			1	-	-	-	1000762 ----- QA,QAE,QFE,QH,QHE,QX,QXE	
			-	(1)	1	(1)	QA,QAE,QH,QHE,QX,QXE,Q1	
	90741-805-000	KEY, 7X7X33	-	(1)	-	(1)	S1	
	90741-889-810	KEY, 7X7X33(YELLOW)	-	(1)	1	(1)	SIE,SJ,SJE,S1	
11	91001-ZG3-003	BEARING, SPECIAL, 6308(NTN)	1	1	1	1		
12	91003-ZG3-000	SET RING, 90MM	1	1	1	1	EGY,E1,LH,LHE,LJ,LJE,LTE,LTE1,LWD,L1,QA,QAA,QAAE,QAE,QB,QBE	
							QFE,QH,QHE,QHE4,QHQ4,QHX,QHX4,QN,QNE,QX,QXE,QXE4,Q1,SB,SBE,SH	
							SHE,SHE4,SIE,SJ,SJE,SN,SNE,SX,SXE,SXE4,SXQ4,S1,VA,VAA,VAE,VAE	
							VB,VBB,VBE,VBL,VBX,VBX1,VF,VGB,VH,VHE,VN,VNE,VX,VXE,V1	
13	91007-ZG3-000	BEARING, SPECIAL BALL, 6304(B)	1	1	1	1		
14	91008-ZG3-000	BEARING, SPECIAL BALL, 6304(C)	1	1	1	1		
15	92000-08025-0A	BOLT, HEX., 8X25	1	-	-	-	1012176 ----- SJ,SJE	
			-	(1)	-	-	S1	
	90003-ZE3-600	BOLT, HEX., 3/8-24UNF(25MM)	-	(1)	-	(1)	Q1	
	92101-08025-0A	BOLT, HEX., 8X25	-	(1)	1	(1)	SJ,SJE,S1	
	92101-10025-0A	BOLT, HEX., 10X25	-	-	1	-	LTE,LTE1	
16	95015-25200	SET RING, 520	1	1	1	1		



Service item	F.R.T.
BEARING, CONNECTING ROD .....	2.1
ROD ASSY., CONNECTING .....	2.2
PISTON .....	2.5
.RING SET, PISTON	

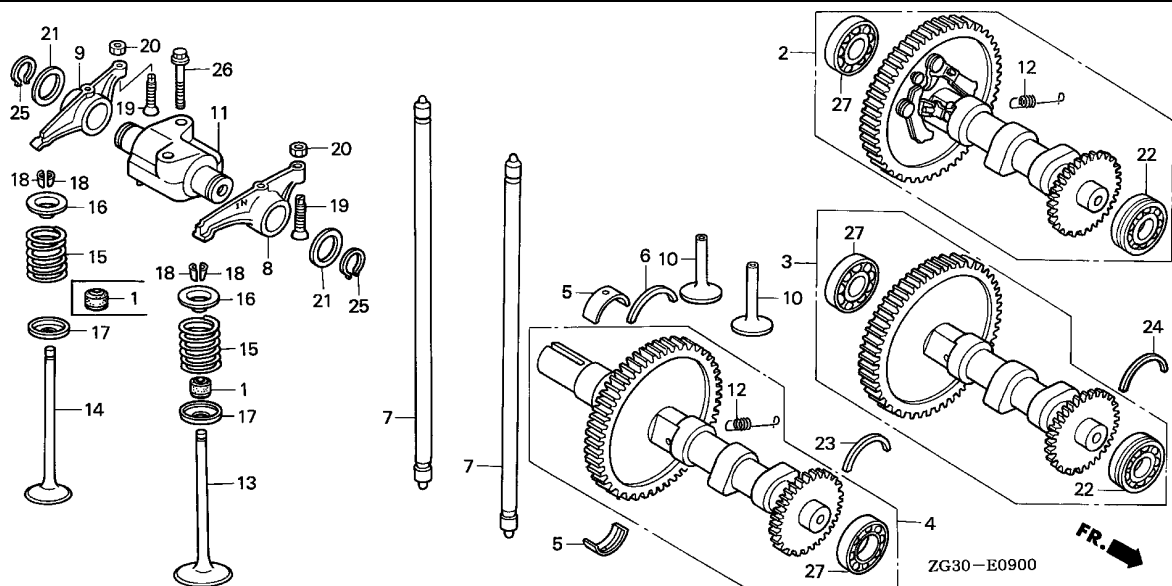
Ref. No.	Part No.	Description	Reqd. QTY				Serial No.	Parts catalogue code
			GD410		GD411			
			(1)	(2)	(1)	(2)		
1	13010-ZG3-000	RING SET, PISTON (STD.) .....	1	1	-	-		
			-	-	1	-	SB	
			-	-	1	-	1005562 LH,LHE,PA,PAA,PH,PX,QA,QAA,QAAE,QAE,QB,QBE,QH,QHE,QHE4,QHQ4,QHX,QHX4,QX,QXE,QXE4,SBE,SH,SHE,SHE4,SX,SXE,SXE4,SXQ4,VA,VAA,VAE,VB,VBB,VBE,VBL,VBX,VBX1,VGB,VH,VHE,VX,VXE	
			-	-	1	-	1006137 EGY,LJ,LJE,LWD,SIE,SJ,SJE	
			-	-	-	1	1006137	
	13011-ZG3-000	RING SET, PISTON (0.25) .....	(1)	(1)	-	-		
			-	-	(1)	(1)	EGY,LH,LHE,LJ,LJE,LWD,L1,QB,QBE,SB,SBE,SIE,VB,VBB,VBE,VBL,VBX,VBX1,VGB	
			-	-	(1)	(1)	1006472 E1,P1,Q1,SJ,SJE,S1,V1	
			-	-	(1)	-	1005562 PA,PAA,PH,PX,QA,QAA,QAAE,QAE,QH,QHE,QHE4,QHQ4,QHX,QHX4,QX,QXE,QXE4,SH,SHE,SHE4,SX,SXE,SXE4,SXQ4,VA,VAA,VAE,VB,VBB,VBE,VBL,VBX,VBX1,VGB	
	13012-ZG3-000	RING SET, PISTON (0.50) .....	(1)	(1)	-	-		
			-	-	(1)	(1)	EGY,LH,LHE,LJ,LJE,LWD,L1,QB,QBE,SB,SBE,SIE,VB,VBB,VBE,VBL,VBX,VBX1,VGB	
			-	-	(1)	(1)	1006472 E1,P1,Q1,SJ,SJE,S1,V1	
			-	-	(1)	-	1005562 PA,PAA,PH,PX,QA,QAA,QAAE,QAE,QH,QHE,QHE4,QHQ4,QHX,QHX4,QX,QXE,QXE4,SH,SHE,SHE4,SX,SXE,SXE4,SXQ4,VA,VAA,VAE,VB,VBB,VBE,VBL,VBX,VBX1,VGB	
	13013-ZG3-000	RING SET, PISTON (0.75) .....	(1)	(1)	-	-		
			-	-	(1)	(1)	EGY,LH,LHE,LJ,LJE,LWD,L1,QB,QBE,SB,SBE,SIE,VB,VBB,VBE,VBL,VBX,VBX1,VGB	
			-	-	(1)	(1)	1006472 E1,P1,Q1,SJ,SJE,S1,V1	
			-	-	(1)	-	1005562 PA,PAA,PH,PX,QA,QAA,QAAE,QAE,QH,QHE,QHE4,QHQ4,QHX,QHX4,QX,QXE,QXE4,SH,SHE,SHE4,SX,SXE,SXE4,SXQ4,VA,VAA,VAE,VB,VBB,VBE,VBL,VBX,VBX1,VGB	





Ref. No.	Part No.	Description	Reqd. QTY				Serial No.	Parts catalogue code
			GD410		GD411			
			(1)	(2)	(1)	(2)		
(1)	13010-ZG3-010	RING SET, PISTON (STD.)	-	-	1	-	LTE, LTE1	
			-	-	1	-	EGY, LJ, LJE, LWD, SIE, SJ, SJE	
			-	-	(1)	-	1006138 ----- LH, LHE, PA, PAA, PH, PX, QA, QAA, QAAE, QAE, QB, QBE, QH, QHE, QHE4, QHQ4, QHX, QHX4, QX, QXE, QXE4, SBE, SH, SHE, SHE4, SX, SXE, SXE4, SXQ4, VA, VAA, VAAE, VAE, VB, VBB, VBE, VBL, VBX, VBX1, VGB, VH, VHE, VX, VXE	
	13011-ZG3-010	RING SET, PISTON (0.25)	-	-	-	1	1006138	
			-	-	(1)	(1)	1006473 ----- E1, P1, Q1, SJ, SJE, S1, V1	
			-	-	(1)	-	1005563 ----- PA, PAA, PH, PX, QA, QAA, QAAE, QAE, QH, QHE, QHE4, QHQ4, QHX, QHX4, QX, QXE, QXE4, SH, SHE, SHE4, SX, SXE, SXE4, SXQ4, VA, VAA, VAAE, VAE, VH, VHE, VX, VXE	
	13012-ZG3-010	RING SET, PISTON (0.50)	-	-	(1)	(1)	1006473 ----- E1, P1, Q1, SJ, SJE, S1, V1	
			-	-	(1)	-	1005563 ----- PA, PAA, PH, PX, QA, QAA, QAAE, QAE, QH, QHE, QHE4, QHQ4, QHX, QHX4, QX, QXE, QXE4, SH, SHE, SHE4, SX, SXE, SXE4, SXQ4, VA, VAA, VAAE, VAE, VH, VHE, VX, VXE	
	13013-ZG3-010	RING SET, PISTON (0.75)	-	-	(1)	(1)	1006473 ----- E1, P1, Q1, SJ, SJE, S1, V1	
			-	-	(1)	-	1005563 ----- PA, PAA, PH, PX, QA, QAA, QAAE, QAE, QH, QHE, QHE4, QHQ4, QHX, QHX4, QX, QXE, QXE4, SH, SHE, SHE4, SX, SXE, SXE4, SXQ4, VA, VAA, VAAE, VAE, VH, VHE, VX, VXE	
2	13101-ZG3-000	PISTON (STD.)	1	-	1	-	EGY, LH, LHE, LJ, LJE, LTE, LTE1, LWD, PH, PX, QFE, QH, QHE, QHE4, QHQ4, QHX, QHX4, QN, QNE, QX, QXE, QXE4, SH, SHE, SHE4, SIE, SJ, SJE, SN, SNE, SX, SXE, SXE4, SXQ4, VF, VH, VHE, VN, VNE, VX, VXE	
	13104-ZG3-000	PISTON (0.25)	-	1	-	1		
	13105-ZG3-000	PISTON (0.50)	(1)	(1)	(1)	(1)		
	13106-ZG3-000	PISTON (0.75)	(1)	(1)	(1)	(1)		
	13101-ZG3-880	PISTON (N3)	1	-	-	-	1021398 QB, QBE, SB, SBE, VB, VBB, VBE, VBL	
	13101-ZG3-881		1	-	-	-	1021399 QB, QBE, SB, SBE, VB, VBB, VBE, VBL	
			-	-	1	-	QB, QBE, SB, SBE, VB, VBB, VBE, VBL, VBX, VBX1, VGB	
	13101-ZG3-930	PISTON (STD.)	1	-	1	-	PA, PAA, QA, QAA, QAAE, QAE, VA, VAA, VAAE, VAE	

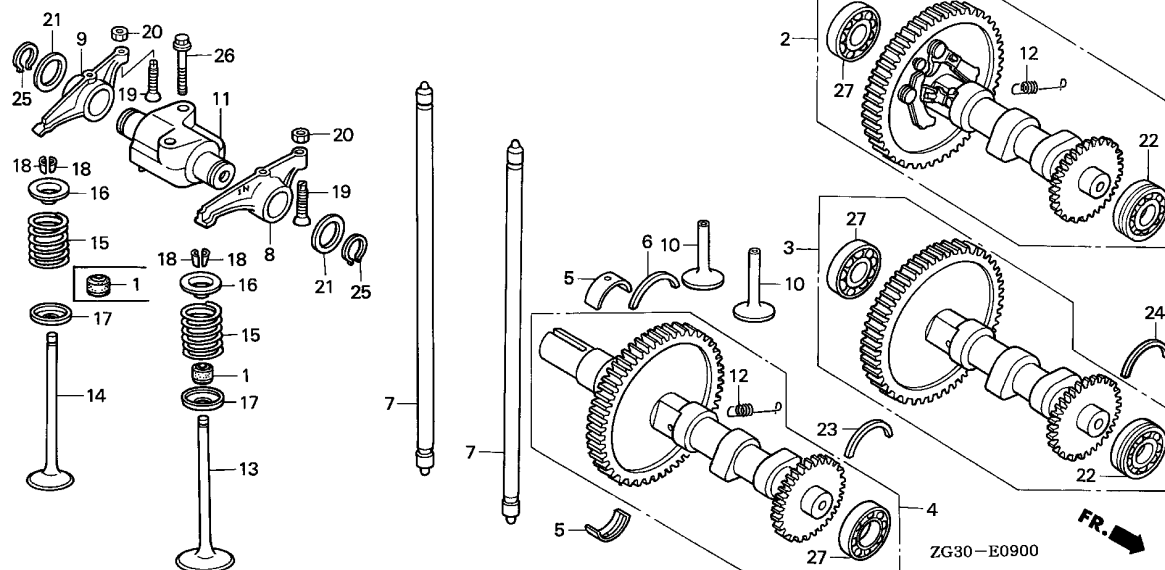
Ref. No.	Part No.	Description	Reqd. QTY				Serial No.	Parts catalogue code
			GD410		GD411			
			(1)	(2)	(1)	(2)		
3	13111-ZG3-000	PIN, PISTON .....	1	1	1	1		
4	13200-ZG3-000	ROD ASSY., CONNECTING .....	1	1	1	1		
5	13204-ZG3-003	BOLT, CONNECTING ROD, 8X51 ..	2	2	2	2		
6	13205-ZG3-003	NUT, CONNECTING ROD .....	2	2	2	2		
7	13211-ZG3-003	BEARING, CONNECTING ROD (A) (BLUE)	2	2	2	2		
	13212-ZG3-003	BEARING, CONNECTING ROD (B) (BLACK)	2	2	2	2		
	13213-ZG3-003	BEARING, CONNECTING ROD (C) (BROWN)	2	2	2	2		
	13214-ZG3-003	BEARING, CONNECTING ROD (D) (GREEN)	2	2	2	2		
	13215-ZG3-003	BEARING, CONNECTING ROD (E) (YELLOW)	2	2	2	2		
	13216-ZG3-003	BEARING, CONNECTING ROD (F) (PINK)	2	2	2	2		
	13217-ZG3-003	BEARING, CONNECTING ROD (G) (RED)	2	2	2	2		
	13232-ZG3-000	BEARING A, CONNECTING ROD (UNDER SIZE 0.25)(BLACK)	(2)	(2)	(2)	(2)		
	13233-ZG3-000	BEARING B, CONNECTING ROD (UNDER SIZE 0.25)(BROWN)	(2)	(2)	(2)	(2)		
	13234-ZG3-000	BEARING C, CONNECTING ROD (UNDER SIZE 0.25)(GREEN)	(2)	(2)	(2)	(2)		
	13236-ZG3-000	BEARING A, CONNECTING ROD (UNDER SIZE 0.50)(BLACK)	(2)	(2)	(2)	(2)		
	13237-ZG3-000	BEARING B, CONNECTING ROD (UNDER SIZE 0.50)(BROWN)	(2)	(2)	(2)	(2)		
	13238-ZG3-000	BEARING C, CONNECTING ROD (UNDER SIZE 0.50)(GREEN)	(2)	(2)	(2)	(2)		
	13242-ZG3-000	BEARING A, CONNECTING ROD (UNDER SIZE 0.75)(BLACK)	(2)	(2)	(2)	(2)		
	13243-ZG3-000	BEARING B, CONNECTING ROD (UNDER SIZE 0.75)(BROWN)	(2)	(2)	(2)	(2)		
	13244-ZG3-000	BEARING C, CONNECTING ROD (UNDER SIZE 0.75)(GREEN)	(2)	(2)	(2)	(2)		
8	90601-ZG3-000	CLIP, PISTON PIN .....	2	2	2	2		



Service item	F.R.T.
ARM, IN. VALVE ROCKER	0.2
.ROD, PUSH	
.SHAFT COMP., ROCKER ARM	
VALVE, IN.	1.0
(ADD 0.1 FOR EACH.)	
CAMSHAFT ASSY.	1.1
.LIFTER, VALVE	
.SEAL A, VALVE STEM	
(ADD 0.2 FOR EACH.)	
BEARING, RADIAL BALL, 6204	1.2
.BEARING, SPECIAL BALL, 6204	

Ref. No.	Part No.	Description	Reqd. QTY				Serial No.	Parts catalogue code
			GD410		GD411			
			(1)	(2)	(1)	(2)		
1	12210-PD2-003	SEAL A, VALVE STEM (ARAI) ...	2	2	-	-	1007678 E1,P1,Q1,SJ,SJE,S1,V1	
			2	2	-	-	1008804 LJ,LJE,L1	
			2	-	-	-	QN,QNE,SN,SNE,VN,VNE	
			2	-	-	-	1006780 QB,QBE,SB,SBE,VB,VBE	
			2	-	-	-	1006806 PH,PX,QA,QAE,QFE,QH,QHE,QX,QXE,SH,SHE,SX,SXE,VF,VH,VHE,VX,VXE	
			2	-	-	-	1007093 SIE	
			2	-	-	-	1008555 LH,LHE	
			1	1	-	-	1007679 E1,P1,Q1,SJ,SJE,S1,V1	
			1	1	-	-	1008805 LJ,LJE,L1	
			1	-	-	-	EGY,LWD,PA,PAA,QAA,QAAE,VA,VAA,VAE,VAE,VBB,VBL	
			1	-	-	-	1006781 QB,QBE,SB,SBE,VB,VBE	
			1	-	-	-	1006807 PH,PX,QA,QAE,QFE,QH,QHE,QX,QXE,SH,SHE,SX,SXE,VF,VH,VHE,VX,VXE	
			1	-	-	-	1007094 SIE	
			1	-	-	-	1008556 LH,LHE	
2	14100-ZG3-000	CAMSHAFT ASSY. ....	1	(1)	-	-	1001059 P1,Q1,SJ,S1,V1	
			1	-	-	-	1001159 PH,PX,QA,QH,QX,SH,SX,VF,VH,VX	
	14100-ZG3-010	.....	1	-	-	-	1001060 1021219 SJ	
			1	-	-	-	1001160 1009310 QA	
			1	-	-	-	1001160 1021684 PH,PX,QH,QX,SH,SX,VF,VH,VX	
			-	(1)	-	-	1021240 E1	
			-	(1)	-	-	1001060 1021240 P1,Q1,S1,V1	
	14100-ZG3-020	.....	1	-	-	-	1021220 SJ	
			1	-	-	-	1021685 PH,PX,QH,QX,SH,SX,VF,VH,VX	
			-	(1)	-	-	1021241 E1,P1,Q1,S1,V1	
			-	-	1	(1)	E1,PH,PX,P1,QH,QHQ4,QHX,QHX4,QX,Q1,SH,SJ,SX, SXQ4,S1,VH,VX,V1	
	14100-ZG3-930	CAMSHAFT ASSY. (USA) .....	1	-	-	-	1019528 PA,PAA,QAA,VA,VAA	
			1	-	-	-	1009311 1019528 QA	

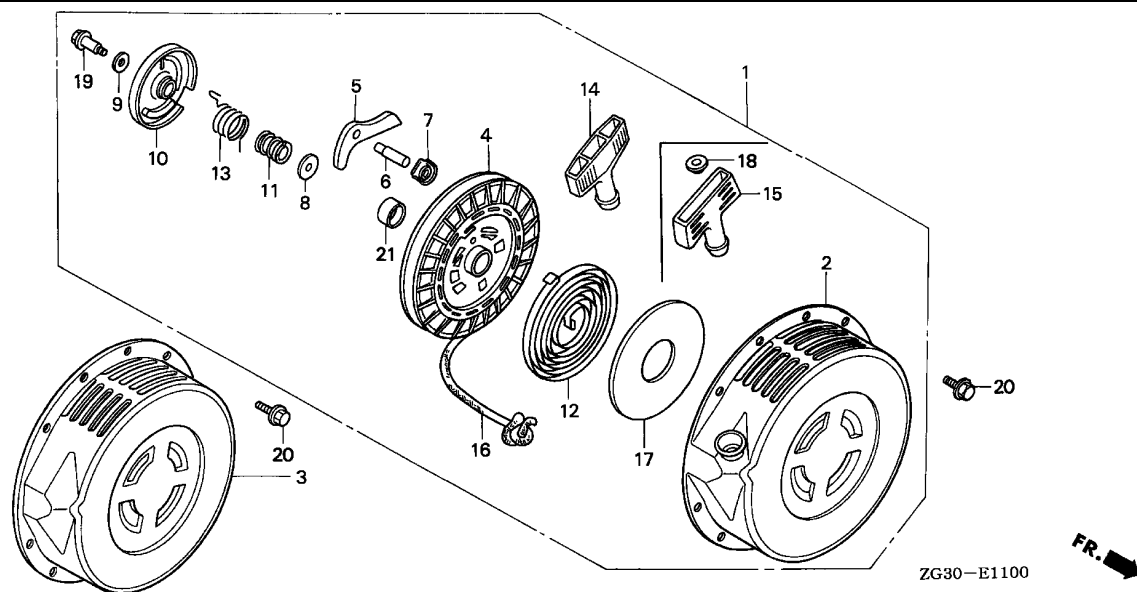
Ref. No.	Part No.	Description	Reqd. QTY				Serial No.	Parts catalogue code
			GD410 (1) (2)	GD411 (1) (2)				
(2)	14100-ZG3-931	CAMSHAFT ASSY. (USA) .....	1	-	-	-	1019529 ----- PA,PAA,QA,QAA,VA,VAA	
			-	-	1	-	----- PA,PAA,QA,QAA,VA,VAA	
	14100-ZG3-880	CAMSHAFT ASSY. (N3) .....	1	-	-	-	1019438 QB,SB,VB	
			1	-	-	-	1019534 VBB	
	14100-ZG3-881	.....	1	-	-	-	1019439 QB,SB,VB	
			1	-	-	-	1019535 VBB	
			-	-	1	-	QB,SB,VB,VBB,VBX,VBX1,VGB	
	14100-ZG3-812	CAMSHAFT ASSY. ....	1	-	-	-	QN,SN,VN	
	14100-ZG3-890	CAMSHAFT ASSY. (N3-SEL) .....	1	-	1	-	QBE,SBE,VBE,VBL	
	14100-ZG3-822	CAMSHAFT ASSY. (SEL) .....	1	-	-	-	QNE,SNE,VNE	
3	14100-ZG3-800	CAMSHAFT ASSY. (SEL) .....	1	(1)	-	-	1001551 P1,QAE,QFE,QHE,QXE,Q1,SHE,SJE,SXE,S1,VHE,VXE,V1	
	14100-ZG3-801	.....	1	(1)	1	(1)	EGY,E1,QHE4,QXE4,SHE4,SXE4	
			1	(1)	-	-	1001552 P1,QAE,QFE,QHE,QXE,Q1,SHE,SJE,SXE,S1,VHE,VXE,V1	
			-	-	1	(1)	P1,QHE,QXE,Q1,SHE,SJE,SXE,S1,VHE,VXE,V1	
	14100-ZG3-900	.....	1	-	1	-	SIE	
	14100-ZG3-940	CAMSHAFT ASSY. (USA-SEL) .....	1	-	1	-	QAAE,VAAE,VAE	
			-	-	1	-	QAE	
4	14100-ZG3-830	CAMSHAFT ASSY. (L-TYPE/SEL) .....	1	(1)	1	(1)	LHE,LJE,LTE,LTE1,LWD,L1	
	14100-ZG3-610	CAMSHAFT ASSY. (L-TYPE) .....	1	(1)	1	(1)	LH,LJ,L1	
5	14123-ZG3-612	BEARING A, CAMSHAFT (BLACK) .....	2	(2)	2	(2)	LH,LHE,L1	
			(2)	-	(2)	-	LJ,LJE,LTE,LTE1,LWD	
	14124-ZG3-612	BEARING B, CAMSHAFT (BROWN) .....	2	(2)	2	(2)	LH,LHE,L1	
			(2)	-	(2)	-	LJ,LJE,LTE,LTE1,LWD	
6	14128-ZG3-611	BEARING, CAMSHAFT THRUST .....	1	1	1	1	LH,LHE,LJ,LJE,LTE,LTE1,LWD,L1	
7	14410-ZG3-000	ROD, PUSH .....	2	2	2	2		
8	14421-ZG3-000	ARM, IN. VALVE ROCKER .....	1	1	1	1		
9	14431-ZG3-000	ARM, EX. VALVE ROCKER .....	1	1	1	1		
10	14441-ZG3-000	LIFTER, VALVE .....	2	2	-	-	1001159 PH,PX,P1,QA,QAE,QFE,QH,QHE,QN,QNE,QX,QXE,Q1,SH,SHE,SJ,SJE,SN	
							SNE,SX,SXE,S1,VF,VH,VHE,VN,VNE,VX,VXE,V1	
	14441-ZE2-000	.....	2	2	2	2	EGY,E1,PA,PAA,QAA,QAAE,QB,QBE,QHE4,QHQ4,QHX,QHX4,QXE4,SB,SBE	
			2	2	-	-	1001160 SHE4,SIE,SXE4,SXQ4,VA,VAA,VAAE,VAE,VB,VBB,VBE,VBL,VBX,VBX1,VGB	
			-	-	2	2	PH,PX,P1,QA,QAE,QFE,QH,QHE,QN,QNE,QX,QXE,Q1,SH,SHE,SJ,SJE,SN	
			-	-	2	2	SNE,SX,SXE,S1,VF,VH,VHE,VN,VNE,VX,VXE,V1	
	14441-ZG3-610	.....	2	2	2	2	PH,PX,P1,QA,QAE,QH,QHE,QX,QXE,Q1,SH,SHE,SJ,SJE,SX,SXE,S1,VH	
							VHE,VX,VXE,V1	
							LH,LHE,LJ,LJE,LTE,LTE1,LWD,L1	
11	14461-ZG3-000	SHAFT COMP., ROCKER ARM .....	1	1	1	1		
12	14568-ZG3-000	SPRING, WEIGHT RETURN .....	1	-	1	-	LH,LJ,PA,PAA,PH,PX,QA,QAA,QB,QH,QHQ4,QHX,QHX4,QN,QX,SB,SH,SJ	
			-	(1)	-	(1)	SN,SX,SXQ4,VA,VAA,VB,VBB,VBX,VBX1,VF,VGB,VH,VN,VX	
13	14711-ZG3-000	VALVE, IN. ....	1	1	1	1		
14	14721-ZG3-000	VALVE, EX. ....	1	1	1	1		
15	14751-ZG3-003	SPRING, VALVE .....	2	2	2	2		
16	14765-PG6-000	RETAINER, VALVE SPRING .....	2	2	-	-	SB	
			-	-	2	-	1023434 EGY,LH,LHE,LJ,LJE,LTE,LTE1,LWD,PA,PAA,PH,PX,QA,QAA,QAAE,QAE,QB	
			-	-	2	-	QBE,QH,QHE,QHE4,QHQ4,QHX,QHX4,QX,QXE,QXE4,SBE,SH,SHE,SHE4,SIE	
			-	-	-	-	SJ,SJE,SX,SXE,SXE4,SXQ4,VA,VAA,VAAE,VAE,VB,VBB,VBE,VBL,VBX	
			-	-	-	-	VBX1,VGB,VH,VHE,VX,VXE	
			-	-	-	2	1023434	
	14771-ZJ8-000	.....	-	-	2	-	1023435 EGY,LH,LHE,LJ,LJE,LTE,LTE1,LWD,PA,PAA,PH,PX,QA,QAA,QAAE,QAE,QB	
			-	-	-	-	QBE,QH,QHE,QHE4,QHQ4,QHX,QHX4,QX,QXE,QXE4,SBE,SH,SHE,SHE4,SIE	
			-	-	-	-	SJ,SJE,SX,SXE,SXE4,SXQ4,VA,VAA,VAAE,VAE,VB,VBB,VBE,VBL,VBX	
			-	-	-	2	1023435 VBX1,VGB,VH,VHE,VX,VXE	



Ref. No.	Part No.	Description	Reqd. QTY				Serial No.	Parts catalogue code
			GD410		GD411			
			(1)	(2)	(1)	(2)		
17	14775-ZG3-000	SEAT, VALVE SPRING .....	2	2	2	2		
18	14781-MB9-000	COTTER, VALVE .....	4	4	4	4		
19	90012-ZG3-000	SCREW, TAPPET ADJUSTING .....	2	2	2	2		
20	90206-001-000	NUT, TAPPET ADJUSTING .....	2	2	2	2		
21	90448-KE1-000	WASHER, THRUST, 16MM .....	2	2	2	2		
22	91002-ZG3-003	BEARING, SPECIAL BALL, 6204(A) (NTN)	1	(1)	1	(1)	----- EGY, E1, PA, PAA, PH, PX, P1, QA, QAA, QAAE, QAE, QB, QBE, QFE, QH, QHE, QHE4, QHQ4, QHX, QHX4, QN, QNE, QX, QXE, QXE4, Q1, SB, SBE, SH, SHE, SHE4, SIE, SJ, SJE, SN, SNE, SX, SXE, SXE4, SXQ4, S1, VA, VAA, VAAE, VAE, VB, VBB, VBE, VBL, VBX, VBX1, VF, VGB, VH, VHE, VN, VNE, VX, VXE, V1	
23	91004-ZG3-610	RING, OUTER SETTING (470) ...	1	1	1	1	----- LH, LHE, LJ, LJE, LTE, LTE1, LWD, L1	
24	91006-ZG3-000	SET RING, 470 .....	1	-	-	-	----- PA, PAA, PH, PX, QA, QAA, QAAE, QAE, QB, QBE, QFE, QH, QHE, QN, QNE, QX, QXE, SB, SBE, SH, SHE, SIE, SJ, SJE, SN, SNE, SX, SXE, VA, VAA, VAAE, VAE, VB, VBB, VBE, VBL, VF, VH, VHE, VN, VNE, VX, VXE	
			-	(1)	-	-	1008802 E1, P1, Q1, S1, V1	
			1	-	1	1	----- EGY, E1, P1, QHE4, QHQ4, QHX, QHX4, QXE4, Q1, SHE4, SXE4, SXQ4, S1, VBX, VBX1, VGB, V1	
			-	1	-	-	1008803 E1, P1, Q1, S1, V1	
			-	-	1	-	----- PA, PAA, PH, PX, QA, QAA, QAAE, QAE, QB, QBE, QH, QHE, QX, QXE, SB, SBE, SH, SHE, SIE, SJ, SJE, SX, SXE, VA, VAA, VAAE, VAE, VB, VBB, VBE, VBL, VH, VHE, VX, VXE	
25	94510-16000	CIRCLIP, EXTERNAL, 16MM .....	2	2	2	2		
26	95701-06035-00	BOLT, FLANGE, 6X35 .....	2	2	2	2		
27	96100-62043-00	BEARING, RADIAL BALL, 6204 ..	1	(1)	1	(1)		

E-11

RECOIL STARTER(1)

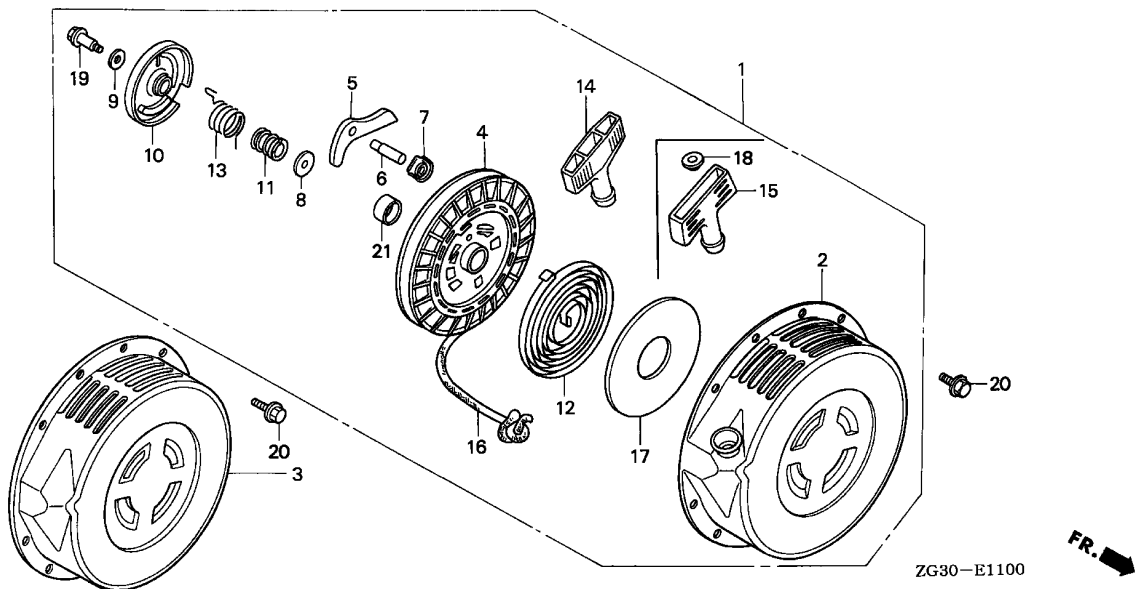


Service item	F.R.T.
STARTER ASSY., RECOIL	0.1
RATCHET, STARTER (INC. RELATIVE PART)	0.2
CASE COMP., STARTER	0.3
.ROPE, STARTER SPRING, RETURN	0.4

Ref. No.	Part No.	Description	Reqd. QTY				Serial No.	Parts catalogue code
			GD410		GD411			
			(1)	(2)	(1)	(2)		
1	28400-ZG3-003ZA	STARTER ASSY., RECOIL *NH116M*URBAN SILVER METALLIC	1	1	-	-	1000113	E1,PA,PAA,PH,PX,P1,QA,QAA,QAAE,QAE,QFE,QH,QHE,QX,QXE,Q1,SH,SHE SJ,SJE,SX,SXE,S1,VA,VAA,VA AE,VAE,VF,VH,VHE,VX,VXE,V1 QN,QNE,SN,SNE,VN,VNE
			1	-	-	-	1001658	E1,P1,Q1,SJ,SJE,S1,V1
			-	-	1	-	1001380	PA,PAA,PH,PX,QA,QAA,QAAE,QAE,QH,QHE,QX,QXE,SH,SHE,SX,SXE,VA VAA,VA AE,VAE,VH,VHE,VX,VXE
	28400-ZG3-881ZA	*NH116M*URBAN SILVER METALLIC	-	-	1	-	1001528	SBE,VB,VBB,VBE
			-	-	1	-	1002043	QB,QBE,SB
	28400-ZG3-004ZA	*NH116M*URBAN SILVER METALLIC	1	1	-	-	1000114	E1,PA,PAA,PH,PX,P1,QA,QAA,QAAE,QAE,QFE,QH,QHE,QX,QXE,Q1,SH,SHE SJ,SJE,SX,SXE,S1,VA,VAA,VA AE,VAE,VF,VH,VHE,VX,VXE,V1
			-	-	1	1	1001659	E1,P1,Q1,SJ,SJE,S1,V1
			-	-	1	-		QHE4,QHQ4,QHX,QHX4,QXE4,SHE4,SXE4,SXQ4
			-	-	1	-	1001381	PA,PAA,PH,PX,QA,QAA,QAAE,QAE,QH,QHE,QX,QXE,SH,SHE,SX,SXE,VA VAA,VA AE,VAE,VH,VHE,VX,VXE
	28400-ZG3-882ZA	*NH116M*URBAN SILVER METALLIC	1	-	-	-		QB,QBE,SB,SBE,VB,VBB,VBE
			-	-	1	-		VBX,VBX1,VGB
			-	-	1	-	1001529	SBE,VB,VBB,VBE
			-	-	1	-	1002044	QB,QBE,SB
2	28410-ZG3-003ZA	CASE COMP., STARTER *NH116M*URBAN SILVER METALLIC	1	1	-	-	1000113	E1,PA,PAA,PH,PX,P1,QA,QAA,QAAE,QAE,QFE,QH,QHE,QX,QXE,Q1,SH,SHE SJ,SJE,SX,SXE,S1,VA,VAA,VA AE,VAE,VF,VH,VHE,VX,VXE,V1 QB,QBE,QN,QNE,SB,SBE,SN,SNE,VB,VBB,VBE,VN,VNE
			1	-	-	-	1001658	E1,P1,Q1,SJ,SJE,S1,V1
			-	-	1	-	1001380	PA,PAA,PH,PX,QA,QAA,QAAE,QAE,QH,QHE,QX,QXE,SH,SHE,SX,SXE,VA VAA,VA AE,VAE,VH,VHE,VX,VXE
			-	-	1	-	1001528	SBE,VB,VBB,VBE
			-	-	1	-	1002043	QB,QBE,SB





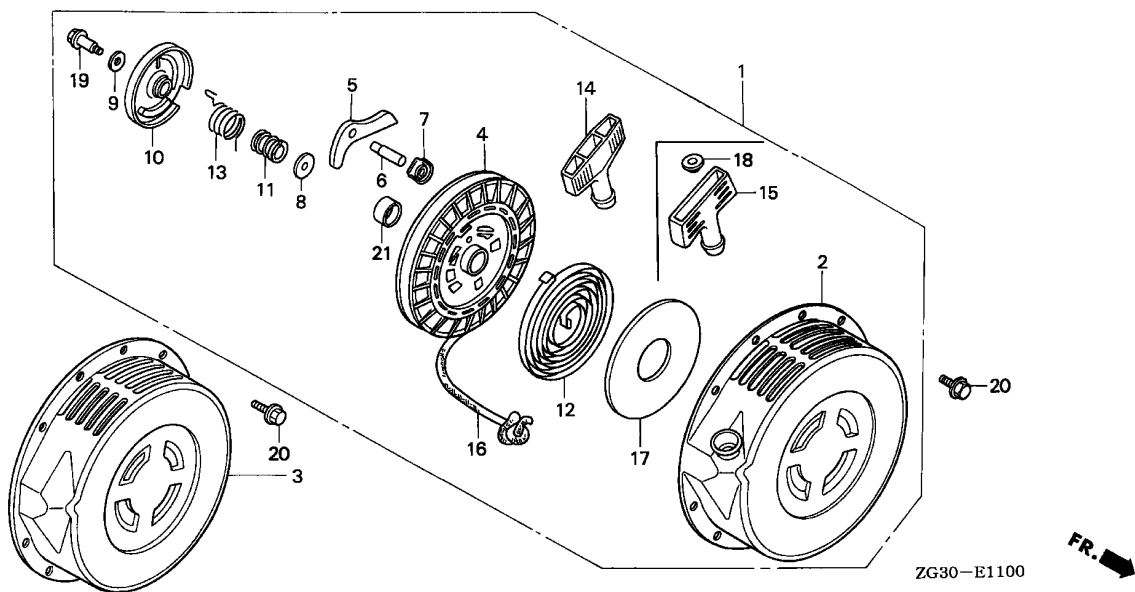


2

Ref. No.	Part No.	Description	Reqd. QTY				Serial No.	Parts catalogue code
			GD410		GD411			
			(1)	(2)	(1)	(2)		
(2)	28410-ZG3-004ZA	CASE COMP., STARTER *NH116M*URBAN SILVER METALLIC	1	1	-	-	1000114 ----- E1,PA,PAA,PH,PX,P1,QA,QAA,QAAE,QAE,QFE,QH,QHE,QX,QXE,Q1,SH,SHE SJ,SJE,SX,SXE,S1,VA,VAA,VA AE,VAE,VF,VH,VHE,VX,VXE,V1	
			-	-	1	-	1001659 ----- E1,P1,Q1,SJ,SJE,S1,V1	
			-	-	1	-	----- QHE4,QHQ4,QHX,QHX4,QXE4,SHE4,SXE4,SXQ4,VBX,VBX1,VGB	
			-	-	1	-	1001381 ----- PA,PAA,PH,PX,QA,QAA,QAAE,QAE,QH,QHE,QX,QXE,SH,SHE,SX,SXE,VA VAA,VA AE,VAE,VH,VHE,VX,VXE	
			-	-	1	-	1001529 ----- SBE,VB,VBB,VBE	
			-	-	1	-	1002044 ----- QB,QBE,SB	
3	28414-ZG4-911	CASE, STARTER .....	1	-	1	-	----- VBL	
4	28420-ZE8-811	REEL COMP., STARTER .....	1	1	-	-	1000113 ----- E1,PA,PAA,PH,PX,P1,QA,QAA,QAAE,QAE,QFE,QH,QHE,QX,QXE,Q1,SH,SHE SJ,SJE,SX,SXE,S1,VA,VAA,VA AE,VAE,VF,VH,VHE,VX,VXE,V1	
			1	-	1	-	----- QB,QBE,QN,QNE,SB,SN,SNE,VN,VNE	
			1	-	-	-	----- SBE,VB,VBB,VBE	
			-	-	1	1	1001658 E1,P1,Q1,SJ,SJE,S1,V1	
			-	-	1	-	1001380 PA,PAA,PH,PX,QA,QAA,QAAE,QAE,QH,QHE,QX,QXE,SH,SHE,SX,SXE,VA VAA,VA AE,VAE,VH,VHE,VX,VXE	
			-	-	1	-	1001528 SBE,VB,VBB,VBE	
	28420-ZE8-812	.....	1	1	-	-	1000114 ----- E1,PA,PAA,PH,PX,P1,QA,QAA,QAAE,QAE,QFE,QH,QHE,QX,QXE,Q1,SH,SHE SJ,SJE,SX,SXE,S1,VA,VAA,VA AE,VAE,VF,VH,VHE,VX,VXE,V1	
			-	-	1	1	1001659 ----- E1,P1,Q1,SJ,SJE,S1,V1	
			-	-	1	-	----- QHE4,QHQ4,QHX,QHX4,QXE4,SHE4,SXE4,SXQ4,VBX,VBX1,VGB	
			-	-	1	-	1001381 ----- PA,PAA,PH,PX,QA,QAA,QAAE,QAE,QH,QHE,QX,QXE,SH,SHE,SX,SXE,VA VAA,VA AE,VAE,VH,VHE,VX,VXE	
			-	-	1	-	1001529 ----- SBE,VB,VBB,VBE	
			-	-	1	-	1002044 ----- QB,QBE,SB	

Ref. No.	Part No.	Description	Reqd. QTY		Serial No.	Parts catalogue code			
			GD410 (1) (2)	GD411 (1) (2)					
5	28422-ZG3-003	RATCHET, STARTER .....	1	1	-	-----	1000113 E1,PA,PAA,PH,PX,P1,QA,QAA,QAAE,QAE,QFE,QH,QHE,QX,QXE,Q1,SH,SHE SJ,SJE,SX,SXE,S1,VA,VAA,VAAE,VAE,VF,VH,VHE,VX,VXE,V1 QN,QNE,SN,SNE,VN,VNE		
			-	-	1	1	-----	1001658 E1,P1,Q1,SJ,SJE,S1,V1	
			-	-	1	-	-----	1001380 PA,PAA,PH,PX,QA,QAA,QAAE,QAE,QH,QHE,QX,QXE,SH,SHE,SX,SXE,VA VAA,VAAE,VAE,VH,VHE,VX,VXE	
			-	-	1	-	-----	1001528 SBE,VB,VBB,VBE	
			28422-ZG3-004	.....	1	1	-	-----	1000114 E1,PA,PAA,PH,PX,P1,QA,QAA,QAAE,QAE,QFE,QH,QHE,QX,QXE,Q1,SH,SHE SJ,SJE,SX,SXE,S1,VA,VAA,VAAE,VAE,VF,VH,VHE,VX,VXE,V1 QB,QBE,QHE4,QHQ4,QHX,QHX4,QXE4,SB,SHE4,SXE4, SXQ4,VBX,VBX1,VGB
					1	-	1	-	-----
	-	-			1	1	-----	1001659 E1,P1,Q1,SJ,SJE,S1,V1	
	-	-			1	-	-----	1001381 PA,PAA,PH,PX,QA,QAA,QAAE,QAE,QH,QHE,QX,QXE,SH,SHE,SX,SXE,VA VAA,VAAE,VAE,VH,VHE,VX,VXE	
	-	-			1	-	-----	1001529 SBE,VB,VBB,VBE	
	1	1			-	-	-----	1000113 E1,PA,PAA,PH,PX,P1,QA,QAA,QAAE,QAE,QFE,QH,QHE,QX,QXE,Q1,SH,SHE SJ,SJE,SX,SXE,S1,VA,VAA,VAAE,VAE,VF,VH,VHE,VX,VXE,V1 QN,QNE,SN,SNE,VN,VNE	
	6	28423-ZG3-003	SHAFT, RATCHET .....	1	1	-	-----	1000113 E1,PA,PAA,PH,PX,P1,QA,QAA,QAAE,QAE,QFE,QH,QHE,QX,QXE,Q1,SH,SHE SJ,SJE,SX,SXE,S1,VA,VAA,VAAE,VAE,VF,VH,VHE,VX,VXE,V1 QN,QNE,SN,SNE,VN,VNE	
				-	-	1	1	-----	1001658 E1,P1,Q1,SJ,SJE,S1,V1
-				-	1	-	-----	1001380 PA,PAA,PH,PX,QA,QAA,QAAE,QAE,QH,QHE,QX,QXE,SH,SHE,SX,SXE,VA VAA,VAAE,VAE,VH,VHE,VX,VXE	
-				-	1	-	-----	1001528 SBE,VB,VBB,VBE	
28423-ZG3-004				.....	1	1	-	-----	1000114 E1,PA,PAA,PH,PX,P1,QA,QAA,QAAE,QAE,QFE,QH,QHE,QX,QXE,Q1,SH,SHE SJ,SJE,SX,SXE,S1,VA,VAA,VAAE,VAE,VF,VH,VHE,VX,VXE,V1 QB,QBE,QHE4,QHQ4,QHX,QHX4,QXE4,SB,SHE4,SXE4, SXQ4,VBX,VBX1,VGB
					1	-	1	-	-----
		-	-		1	1	-----	1001659 E1,P1,Q1,SJ,SJE,S1,V1	
		-	-		1	-	-----	1001381 PA,PAA,PH,PX,QA,QAA,QAAE,QAE,QH,QHE,QX,QXE,SH,SHE,SX,SXE,VA VAA,VAAE,VAE,VH,VHE,VX,VXE	
		-	-		1	-	-----	1001529 SBE,VB,VBB,VBE	
		1	1		-	-	-----	1000113 E1,PA,PAA,PH,PX,P1,QA,QAA,QAAE,QAE,QFE,QH,QHE,QX,QXE,Q1,SH,SHE SJ,SJE,SX,SXE,S1,VA,VAA,VAAE,VAE,VF,VH,VHE,VX,VXE,V1 QN,QNE,SN,SNE,VN,VNE	
7		28424-ZE1-711	PLATE, GUIDE .....	1	1	-	-----	1000113 E1,PA,PAA,PH,PX,P1,QA,QAA,QAAE,QAE,QFE,QH,QHE,QX,QXE,Q1,SH,SHE SJ,SJE,SX,SXE,S1,VA,VAA,VAAE,VAE,VF,VH,VHE,VX,VXE,V1 QN,QNE,SN,SNE,VN,VNE	
				-	-	1	1	-----	1001658 E1,P1,Q1,SJ,SJE,S1,V1
	-			-	1	-	-----	1001380 PA,PAA,PH,PX,QA,QAA,QAAE,QAE,QH,QHE,QX,QXE,SH,SHE,SX,SXE,VA VAA,VAAE,VAE,VH,VHE,VX,VXE	
	-			-	1	-	-----	1001528 SBE,VB,VBB,VBE	
	28424-ZE1-712			.....	1	1	-	-----	1000114 E1,PA,PAA,PH,PX,P1,QA,QAA,QAAE,QAE,QFE,QH,QHE,QX,QXE,Q1,SH,SHE SJ,SJE,SX,SXE,S1,VA,VAA,VAAE,VAE,VF,VH,VHE,VX,VXE,V1 QB,QBE,QHE4,QHQ4,QHX,QHX4,QXE4,SB,SHE4,SXE4, SXQ4,VBX,VBX1,VGB
					1	-	1	-	-----
		-	-		1	1	-----	1001659 E1,P1,Q1,SJ,SJE,S1,V1	
		-	-		1	-	-----	1001381 PA,PAA,PH,PX,QA,QAA,QAAE,QAE,QH,QHE,QX,QXE,SH,SHE,SX,SXE,VA VAA,VAAE,VAE,VH,VHE,VX,VXE	
		-	-		1	-	-----	1001529 SBE,VB,VBB,VBE	
		1	1		-	-	-----	1000113 E1,PA,PAA,PH,PX,P1,QA,QAA,QAAE,QAE,QFE,QH,QHE,QX,QXE,Q1,SH,SHE SJ,SJE,SX,SXE,S1,VA,VAA,VAAE,VAE,VF,VH,VHE,VX,VXE,V1 QN,QNE,SN,SNE,VN,VNE	
	8	28431-ZG3-003	PLATE A, FRICTION .....	1	1	-	-----	1000113 E1,PA,PAA,PH,PX,P1,QA,QAA,QAAE,QAE,QFE,QH,QHE,QX,QXE,Q1,SH,SHE SJ,SJE,SX,SXE,S1,VA,VAA,VAAE,VAE,VF,VH,VHE,VX,VXE,V1 QN,QNE,SN,SNE,VN,VNE	
				-	-	1	1	-----	1001658 E1,P1,Q1,SJ,SJE,S1,V1
-				-	1	-	-----	1001380 PA,PAA,PH,PX,QA,QAA,QAAE,QAE,QH,QHE,QX,QXE,SH,SHE,SX,SXE,VA VAA,VAAE,VAE,VH,VHE,VX,VXE	
-				-	1	-	-----	1001528 SBE,VB,VBB,VBE	

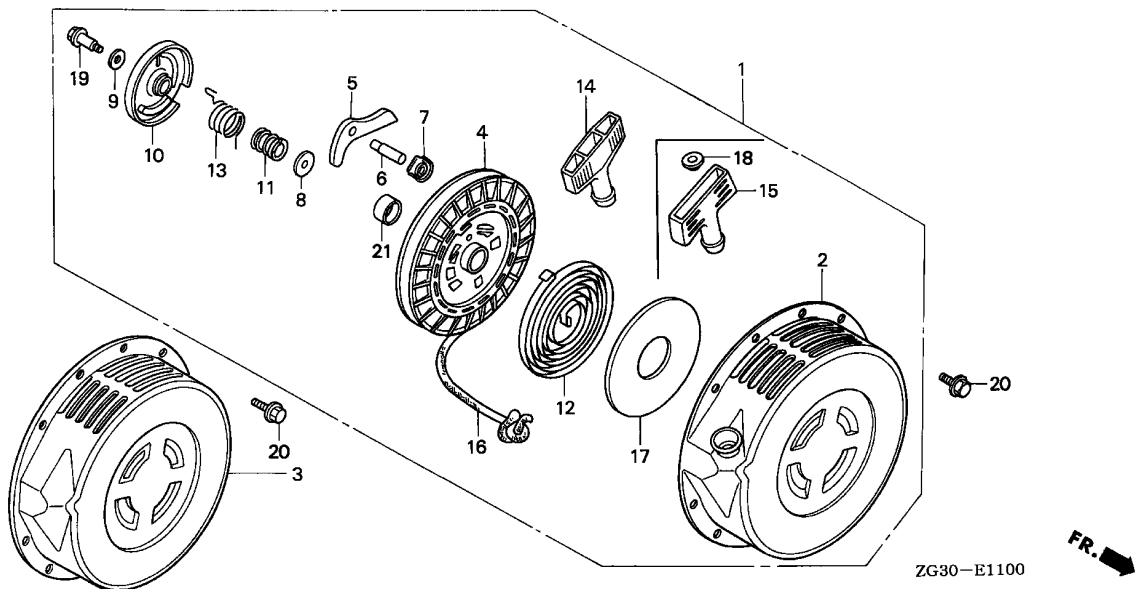




Ref. No.	Part No.	Description	Reqd. QTY				Serial No.	Parts catalogue code
			GD410		GD411			
			(1)	(2)	(1)	(2)		
(8)	28431-ZG3-004	PLATE A, FRICTION .....	1	1	-	-	1000114	E1,PA,PAA,PH,PX,P1,QA,QAA,QAAE,QAE,QFE,QH,QHE,QX,QXE,Q1,SH,SHE,SJ,SJE,SX,SXE,S1,VA,VAA,VAAE,VAE,VF,VH,VHE,VX,VXE,V1 QB,QBE,QHE4,QHQ4,QHX,QHX4,QXE4,SB,SHE4,SXE4, SXQ4,VBX,VBX1,VGB SBE,VB,VBB,VBE
			1	-	1	-		
			-	-	1	1	1001659	E1,P1,Q1,SJ,SJE,S1,V1
			-	-	1	-	1001381	PA,PAA,PH,PX,QA,QAA,QAAE,QAE,QH,QHE,QX,QXE,SH,SHE,SX,SXE,VA VAA,VAAE,VAE,VH,VHE,VX,VXE
9	28432-ZG0-003	PLATE B, FRICTION .....	-	-	1	-	1001529	SBE,VB,VBB,VBE
			1	1	-	-	1000113	E1,PA,PAA,PH,PX,P1,QA,QAA,QAAE,QAE,QFE,QH,QHE,QX,QXE,Q1,SH,SHE SJ,SJE,SX,SXE,S1,VA,VAA,VAAE,VAE,VF,VH,VHE,VX,VXE,V1
			1	-	-	-		QN,QNE,SN,SNE,VN,VNE
			-	-	1	1	1001658	E1,P1,Q1,SJ,SJE,S1,V1
			-	-	1	-	1001380	PA,PAA,PH,PX,QA,QAA,QAAE,QAE,QH,QHE,QX,QXE,SH,SHE,SX,SXE,VA VAA,VAAE,VAE,VH,VHE,VX,VXE
			-	-	1	-	1001528	SBE,VB,VBB,VBE
	28432-ZG0-004	.....	1	1	-	-	1000114	E1,PA,PAA,PH,PX,P1,QA,QAA,QAAE,QAE,QFE,QH,QHE,QX,QXE,Q1,SH,SHE SJ,SJE,SX,SXE,S1,VA,VAA,VAAE,VAE,VF,VH,VHE,VX,VXE,V1
			1	-	1	-		QB,QBE,QHE4,QHQ4,QHX,QHX4,QXE4,SB,SHE4,SXE4, SXQ4,VBX,VBX1,VGB
			1	-	-	-		SBE,VB,VBB,VBE
			-	-	1	1	1001659	E1,P1,Q1,SJ,SJE,S1,V1
			-	-	1	-	1001381	PA,PAA,PH,PX,QA,QAA,QAAE,QAE,QH,QHE,QX,QXE,SH,SHE,SX,SXE,VA VAA,VAAE,VAE,VH,VHE,VX,VXE
			-	-	1	-	1001529	SBE,VB,VBB,VBE

Ref. No.	Part No.	Description	Reqd. QTY				Serial No.	Parts catalogue code	
			GD410 (1)	GD410 (2)	GD411 (1)	GD411 (2)			
10	28434-ZE8-811	COVER, STARTER REEL .....	1	1	-	-	1000113	E1,PA,PAA,PH,PX,P1,QA,QAA,QAAE,QAE,QFE,QH,QHE,QX,QXE,Q1,SH,SHE,SJ,SJE,SX,SXE,S1,VA,VAA,VA AE,VAE,VF,VH,VHE,VX,VXE,V1	
			1	-	-	-	1001658	QN,QNE,SN,SNE,VN,VNE	
			-	-	1	1	1001380	E1,P1,Q1,SJ,SJE,S1,V1	
			-	-	1	-	1001380	PA,PAA,PH,PX,QA,QAA,QAAE,QAE,QH,QHE,QX,QXE,SH,SHE,SX,SXE,VA	
			-	-	1	-	1001528	VAA,VA AE,VAE,VH,VHE,VX,VXE	
	28434-ZE8-812	.....	.....	1	1	-	-	1000114	SBE,VB,VBB,VBE
				1	-	1	-	1000114	E1,PA,PAA,PH,PX,P1,QA,QAA,QAAE,QAE,QFE,QH,QHE,QX,QXE,Q1,SH,SHE,SJ,SJE,SX,SXE,S1,VA,VAA,VA AE,VAE,VF,VH,VHE,VX,VXE,V1
				1	-	-	-	1000114	QB,QBE,QHE4,QHQ4,QHX,QHX4,QXE4,SB,SHE4,SXE4, SXQ4,VBX,VBX1,VGB
				1	-	-	-	1000114	SBE,VB,VBB,VBE
				-	-	1	1	1001659	E1,P1,Q1,SJ,SJE,S1,V1
11	28441-ZG3-003	SPRING, FRICTION .....	1	1	-	-	1000113	PA,PAA,PH,PX,QA,QAA,QAAE,QAE,QH,QHE,QX,QXE,SH,SHE,SX,SXE,VA	
			1	-	-	-	1000113	VAA,VA AE,VAE,VH,VHE,VX,VXE	
			-	-	1	1	1001658	SBE,VB,VBB,VBE	
			-	-	1	-	1001380	E1,PA,PAA,PH,PX,P1,QA,QAA,QAAE,QAE,QFE,QH,QHE,QX,QXE,Q1,SH,SHE,SJ,SJE,SX,SXE,S1,VA,VAA,VA AE,VAE,VF,VH,VHE,VX,VXE,V1	
			-	-	1	-	1001380	QB,QBE,QHE4,QHQ4,QHX,QHX4,QXE4,SB,SHE4,SXE4, SXQ4,VBX,VBX1,VGB	
	28441-ZG3-004	.....	.....	1	1	-	-	1000114	SBE,VB,VBB,VBE
				1	-	1	-	1000114	E1,PA,PAA,PH,PX,P1,QA,QAA,QAAE,QAE,QFE,QH,QHE,QX,QXE,Q1,SH,SHE,SJ,SJE,SX,SXE,S1,VA,VAA,VA AE,VAE,VF,VH,VHE,VX,VXE,V1
				1	-	1	-	1000114	QB,QBE,QHE4,QHQ4,QHX,QHX4,QXE4,SB,SHE4,SXE4, SXQ4,VBX,VBX1,VGB
				1	-	-	-	1000114	SBE,VB,VBB,VBE
				-	-	1	1	1001659	E1,P1,Q1,SJ,SJE,S1,V1
12	28442-ZE1-711	SPRING, RETURN .....	1	1	-	-	1000113	PA,PAA,PH,PX,QA,QAA,QAAE,QAE,QH,QHE,QX,QXE,SH,SHE,SX,SXE,VA	
			1	-	-	-	1000113	VAA,VA AE,VAE,VH,VHE,VX,VXE	
			-	-	1	1	1001658	SBE,VB,VBB,VBE	
			-	-	1	-	1001380	E1,PA,PAA,PH,PX,P1,QA,QAA,QAAE,QAE,QFE,QH,QHE,QX,QXE,Q1,SH,SHE,SJ,SJE,SX,SXE,S1,VA,VAA,VA AE,VAE,VF,VH,VHE,VX,VXE,V1	
			-	-	1	-	1001380	QN,QNE,SN,SNE,VN,VNE	
	28442-ZE1-713	.....	.....	1	1	-	-	1000114	SBE,VB,VBB,VBE
				1	-	1	-	1000114	E1,PA,PAA,PH,PX,P1,QA,QAA,QAAE,QAE,QFE,QH,QHE,QX,QXE,Q1,SH,SHE,SJ,SJE,SX,SXE,S1,VA,VAA,VA AE,VAE,VF,VH,VHE,VX,VXE,V1
				1	-	1	-	1000114	QB,QBE,QHE4,QHQ4,QHX,QHX4,QXE4,SB,SHE4,SXE4, SXQ4,VBX,VBX1,VGB
				1	-	-	-	1000114	SBE,VB,VBB,VBE
				-	-	1	1	1001659	E1,P1,Q1,SJ,SJE,S1,V1
13	28449-ZG3-003	SPRING, TORSION .....	1	1	-	-	1000113	PA,PAA,PH,PX,QA,QAA,QAAE,QAE,QH,QHE,QX,QXE,SH,SHE,SX,SXE,VA	
			1	-	-	-	1000113	VAA,VA AE,VAE,VH,VHE,VX,VXE	
			-	-	1	1	1001658	SBE,VB,VBB,VBE	
			-	-	1	-	1001380	E1,PA,PAA,PH,PX,P1,QA,QAA,QAAE,QAE,QFE,QH,QHE,QX,QXE,Q1,SH,SHE,SJ,SJE,SX,SXE,S1,VA,VAA,VA AE,VAE,VF,VH,VHE,VX,VXE,V1	
			-	-	1	-	1001380	QN,QNE,SN,SNE,VN,VNE	
	28449-ZG3-003	.....	.....	1	1	-	-	1000114	SBE,VB,VBB,VBE
				1	-	1	-	1000114	E1,PA,PAA,PH,PX,P1,QA,QAA,QAAE,QAE,QFE,QH,QHE,QX,QXE,Q1,SH,SHE,SJ,SJE,SX,SXE,S1,VA,VAA,VA AE,VAE,VF,VH,VHE,VX,VXE,V1
				1	-	1	-	1000114	QB,QBE,QHE4,QHQ4,QHX,QHX4,QXE4,SB,SHE4,SXE4, SXQ4,VBX,VBX1,VGB
				1	-	-	-	1000114	SBE,VB,VBB,VBE
				-	-	1	1	1001659	E1,P1,Q1,SJ,SJE,S1,V1





ZG30-E1100

Ref. No.	Part No.	Description	Reqd. QTY				Serial No.	Parts catalogue code
			GD410 (1)	GD410 (2)	GD411 (1)	GD411 (2)		
13)	28449-ZG3-004	SPRING, TORSION .....	1	1	-	-	1000114	E1, PA, PAA, PH, PX, P1, QA, QAA, QAAE, QAE, QFE, QH, QHE, QX, QXE, Q1, SH, SHE, SJ, SJE, SX, SXE, S1, VA, VAA, VAAE, VAE, VF, VH, VHE, VX, VXE, V1 QB, QBE, QHE4, QHQ4, QHX, QHX4, QXE4, SB, SHE4, SXE4, SXQ4, VBX, VBX1, VGB SBE, VB, VBB, VBE
			1	-	1	-	1001659	E1, P1, Q1, SJ, SJE, S1, V1
			-	-	1	-	1001381	PA, PAA, PH, PX, QA, QAA, QAAE, QAE, QH, QHE, QX, QXE, SH, SHE, SX, SXE, VA, VAA, VAAE, VAE, VH, VHE, VX, VXE
14	28461-ZE8-811	GRIP, STARTER .....	-	-	1	-	1001529	SBE, VB, VBB, VBE
			1	1	-	-	1000113	E1, PA, PAA, PH, PX, P1, QA, QAA, QAAE, QAE, QFE, QH, QHE, QX, QXE, Q1, SH, SHE, SJ, SJE, SX, SXE, S1, VA, VAA, VAAE, VAE, VF, VH, VHE, VX, VXE, V1 QN, QNE, SN, SNE, VN, VNE
			-	-	1	1	1001658	E1, P1, Q1, SJ, SJE, S1, V1
			-	-	1	-	1001380	PA, PAA, PH, PX, QA, QAA, QAAE, QAE, QH, QHE, QX, QXE, SH, SHE, SX, SXE, VA, VAA, VAAE, VAE, VH, VHE, VX, VXE
			-	-	1	-	1001528	SBE, VB, VBB, VBE
15	28461-ZG3-004	GRIP, STARTER .....	1	1	-	-	1000114	E1, PA, PAA, PH, PX, P1, QA, QAA, QAAE, QAE, QFE, QH, QHE, QX, QXE, Q1, SH, SHE, SJ, SJE, SX, SXE, S1, VA, VAA, VAAE, VAE, VF, VH, VHE, VX, VXE, V1 QB, QBE, QHE4, QHQ4, QHX, QHX4, QXE4, SB, SHE4, SXE4, SXQ4, VBX, VBX1, VGB SBE, VB, VBB, VBE
			1	-	1	-	1001659	E1, P1, Q1, SJ, SJE, S1, V1
			-	-	1	-	1001381	PA, PAA, PH, PX, QA, QAA, QAAE, QAE, QH, QHE, QX, QXE, SH, SHE, SX, SXE, VA, VAA, VAAE, VAE, VH, VHE, VX, VXE
			-	-	1	-	1001529	SBE, VB, VBB, VBE

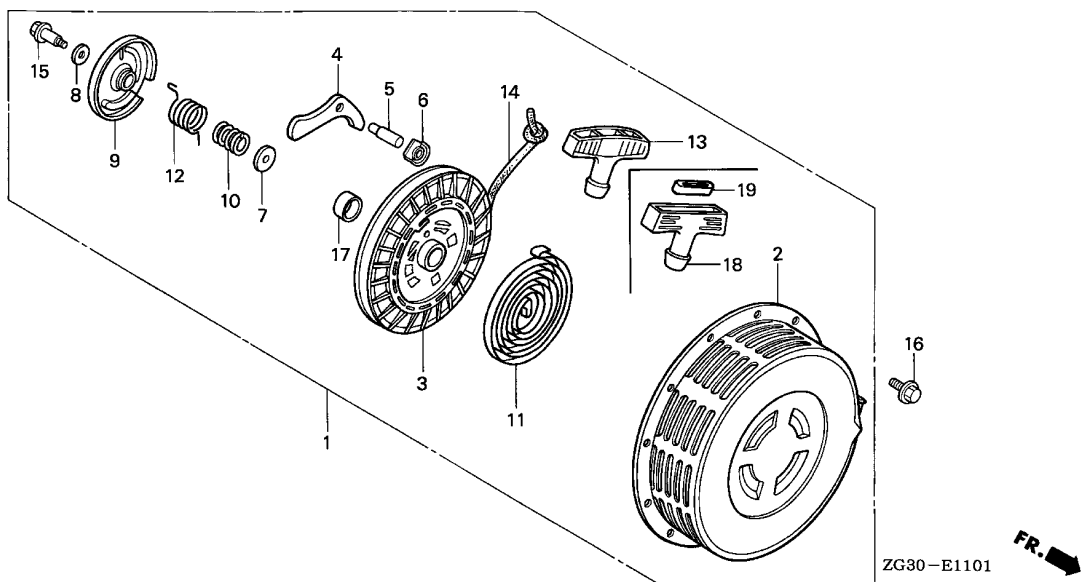
Ref. No.	Part No.	Description	Reqd. QTY		Serial No.	Parts catalogue code
			GD410 (1)	GD411 (2)		
16	28462-ZG3-003	ROPE, STARTER .....	1	1	-	1000113 E1,PA,PAA,PH,PX,P1,QA,QAA,QAAE,QAE,QFE,QH,QHE,QX,QXE,Q1,SH,SHE SJ,SJE,SX,SXE,S1,VA,VAA,VAAE,VAE,VF,VH,VHE,VX,VXE,V1
			1	-	-	1001658 E1,P1,Q1,SJ,SJE,S1,V1
			-	-	1	1001380 PA,PAA,PH,PX,QA,QAA,QAAE,QAE,QH,QHE,QX,QXE,SH,SHE,SX,SXE,VA
			-	-	1	1001528 VAA,VAAE,VAE,VH,VHE,VX,VXE
	28462-ZG3-004	.....	1	1	-	1000114 SBE,VB,VBB,VBE
			1	-	-	1001658 E1,PA,PAA,PH,PX,P1,QA,QAA,QAAE,QAE,QFE,QH,QHE,QX,QXE,Q1,SH,SHE
			1	-	1	1001381 SJ,SJE,SX,SXE,S1,VA,VAA,VAAE,VAE,VF,VH,VHE,VX,VXE,V1
			-	-	1	1001529 QB,QBE,QHE4,QHQ4,QHX,QHX4,QXE4,SB,SHE4,SXE4, SXQ4,VBX,VBX1,VGB
			1	-	-	SBE,VB,VBB,VBE
			-	-	1	1001659 E1,P1,Q1,SJ,SJE,S1,V1
			-	-	1	1001381 PA,PAA,PH,PX,QA,QAA,QAAE,QAE,QH,QHE,QX,QXE,SH,SHE,SX,SXE,VA
			-	-	1	1001529 VAA,VAAE,VAE,VH,VHE,VX,VXE
			-	-	1	1001529 SBE,VB,VBB,VBE
17	28467-ZG3-880	PLATE, SIDE .....	1	-	-	1000114 QB,QBE,SB,SBE,VB,VBB,VBE,VBX,VBX1,VGB
18	28469-ZE2-W01	GRIP, REINFORCEMENT .....	1	1	-	1000114 E1,PA,PAA,PH,PX,P1,QA,QAA,QAAE,QAE,QFE,QH,QHE,QX,QXE,Q1,SH,SHE
			1	-	-	1001658 SJ,SJE,SX,SXE,S1,VA,VAA,VAAE,VAE,VF,VH,VHE,VX,VXE,V1
			1	-	-	1001381 QB,QBE,QHE4,QHQ4,QHX,QHX4,QXE4,SB,SHE4,SXE4, SXQ4,VBX,VBX1,VGB
			1	-	-	SBE,VB,VBB,VBE
			-	-	1	1001659 E1,P1,Q1,SJ,SJE,S1,V1
			-	-	1	1001381 PA,PAA,PH,PX,QA,QAA,QAAE,QAE,QH,QHE,QX,QXE,SH,SHE,SX,SXE,VA
			-	-	1	1001529 VAA,VAAE,VAE,VH,VHE,VX,VXE
			-	-	1	1001529 SBE,VB,VBB,VBE
19	90003-ZG0-003	BOLT, REEL COVER .....	1	1	-	1000113 E1,PA,PAA,PH,PX,P1,QA,QAA,QAAE,QAE,QFE,QH,QHE,QX,QXE,Q1,SH,SHE
			1	-	-	1001658 SJ,SJE,SX,SXE,S1,VA,VAA,VAAE,VAE,VF,VH,VHE,VX,VXE,V1
			-	-	1	1001380 QN,QNE,SN,SNE,VN,VNE
			-	-	1	1001528 E1,P1,Q1,SJ,SJE,S1,V1
			-	-	1	1001381 PA,PAA,PH,PX,QA,QAA,QAAE,QAE,QH,QHE,QX,QXE,SH,SHE,SX,SXE,VA
			-	-	1	1001529 VAA,VAAE,VAE,VH,VHE,VX,VXE
			-	-	1	1001529 SBE,VB,VBB,VBE
	90003-ZG3-004	BOLT, 6MM .....	1	1	-	1000114 E1,PA,PAA,PH,PX,P1,QA,QAA,QAAE,QAE,QFE,QH,QHE,QX,QXE,Q1,SH,SHE
			1	-	-	1001658 SJ,SJE,SX,SXE,S1,VA,VAA,VAAE,VAE,VF,VH,VHE,VX,VXE,V1
			1	-	-	1001381 QB,QBE,QHE4,QHQ4,QHX,QHX4,QXE4,SB,SHE4,SXE4, SXQ4,VBX,VBX1,VGB
			1	-	-	SBE,VB,VBB,VBE
			-	-	1	1001659 E1,P1,Q1,SJ,SJE,S1,V1
			-	-	1	1001381 PA,PAA,PH,PX,QA,QAA,QAAE,QAE,QH,QHE,QX,QXE,SH,SHE,SX,SXE,VA
			-	-	1	1001529 VAA,VAAE,VAE,VH,VHE,VX,VXE
			-	-	1	1001529 SBE,VB,VBB,VBE
20	90011-ZG0-000	BOLT, FLANGE, 6X8 .....	4	4	4	1000113 E1,PA,PAA,PH,PX,P1,QA,QAA,QAAE,QAE,QB,QBE,QFE,QH,QHE,QHE4,QHQ4
						1001658 QHX,QHX4,QN,QNE,QX,QXE,QXE4,Q1,SB,SBE,SH,SHE,SHE4,SJ,SJE,SN
						1001381 SNE,SX,SXE,SXE4, SXQ4,S1,VA,VAA,VAAE,VAE,VB,VBB,VBE, VBL,VBX
						1001528 VBX1,VF,VGB,VH,VHE,VN,VNE,VX,VXE,V1
21	91501-ZG3-003	COLLAR .....	1	1	-	1000113 E1,PA,PAA,PH,PX,P1,QA,QAA,QAAE,QAE,QFE,QH,QHE,QX,QXE,Q1,SH,SHE
			1	-	-	1001658 SJ,SJE,SX,SXE,S1,VA,VAA,VAAE,VAE,VF,VH,VHE,VX,VXE,V1
			-	-	1	1001381 QN,QNE,SN,SNE,VN,VNE
			-	-	1	1001528 E1,P1,Q1,SJ,SJE,S1,V1
			-	-	1	1001381 PA,PAA,PH,PX,QA,QAA,QAAE,QAE,QH,QHE,QX,QXE,SH,SHE,SX,SXE,VA
			-	-	1	1001528 VAA,VAAE,VAE,VH,VHE,VX,VXE
			-	-	1	1001528 SBE,VB,VBB,VBE
	91501-ZG3-004	.....	1	1	-	1000114 E1,PA,PAA,PH,PX,P1,QA,QAA,QAAE,QAE,QFE,QH,QHE,QX,QXE,Q1,SH,SHE
			1	-	-	1001658 SJ,SJE,SX,SXE,S1,VA,VAA,VAAE,VAE,VF,VH,VHE,VX,VXE,V1
			1	-	-	1001381 QB,QBE,QHE4,QHQ4,QHX,QHX4,QXE4,SB,SHE4,SXE4, SXQ4,VBX,VBX1,VGB
			1	-	-	SBE,VB,VBB,VBE
			-	-	1	1001659 E1,P1,Q1,SJ,SJE,S1,V1
			-	-	1	1001381 PA,PAA,PH,PX,QA,QAA,QAAE,QAE,QH,QHE,QX,QXE,SH,SHE,SX,SXE,VA
			-	-	1	1001529 VAA,VAAE,VAE,VH,VHE,VX,VXE
			-	-	1	1001529 SBE,VB,VBB,VBE



E-11-1

RECOIL STARTER(2)

E14



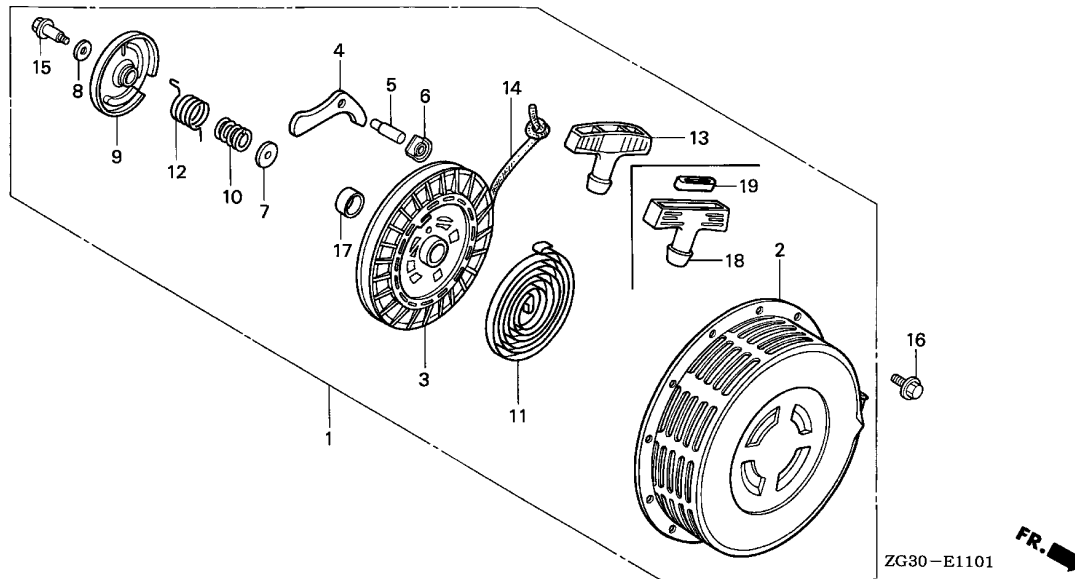
Service item	F.R.T.
STARTER ASSY., RECOIL	0.1
RATCHET, STARTER (INC. RELATIVE PART)	0.2
.SPRING, TORSION	
CASE COMP., STARTER	0.3
.REEL, STARTER	
.ROPE, STARTER	
SPRING, RETURN	0.4

Ref. No.	Part No.	Description	Reqd. QTY				Serial No.	Parts catalogue code	
			GD410		GD411				
			(1)	(2)	(1)	(2)			
1	28400-ZG3-611ZA	STARTER ASSY., RECOIL *NH116M*URBAN SILVER METALLIC	1	1	1	-	-----	1000113 LH,LHE,L1	
			1	-	-	-	-----	1000113 LJ,LJE	
			-	-	1	1	-----	1001658 LJ,LJE,L1	
	28400-ZG3-612ZA	*NH116M*URBAN SILVER METALLIC	1	1	1	-	1000114	-----	LH,LHE,L1
			1	-	-	-	1000114	-----	LJ,LJE
			-	-	1	1	1001659	-----	LJ,LJE,L1
2	28410-ZG3-611ZA	CASE COMP., STARTER (L-TYPE) *NH116M*URBAN SILVER METALLIC	1	1	1	-	-----	1000113 LH,LHE,L1	
			1	-	-	-	-----	1000113 LJ,LJE	
			-	-	1	1	-----	1001658 LJ,LJE,L1	
	28410-ZG3-612	CASE COMP., STARTER	1	1	1	-	1000114	-----	LH,LHE,L1
			1	-	-	-	1000114	-----	LJ,LJE
			-	-	1	1	1001659	-----	LJ,LJE,L1
3	28420-ZG3-611	REEL, STARTER	1	1	1	-	-----	1000113 LH,LHE,L1	
			1	-	-	-	-----	1000113 LJ,LJE	
			-	-	1	1	-----	1001658 LJ,LJE,L1	
	28420-ZG3-612		1	1	1	-	1000114	-----	LH,LHE,L1
			1	-	-	-	1000114	-----	LJ,LJE
			-	-	1	1	1001659	-----	LJ,LJE,L1
4	28422-ZG3-003	RATCHET, STARTER	1	1	1	-	-----	1000113 LH,LHE,L1	
			1	-	-	-	-----	1000113 LJ,LJE	
			-	-	1	1	-----	1001658 LJ,LJE,L1	
	28422-ZG3-004		1	1	1	-	1000114	-----	LH,LHE,L1
			1	-	-	-	1000114	-----	LJ,LJE
			-	-	1	1	1001659	-----	LJ,LJE,L1
5	28423-ZG3-003	SHAFT, RATCHET	1	1	1	-	-----	1000113 LH,LHE,L1	
			1	-	-	-	-----	1000113 LJ,LJE	
			-	-	1	1	-----	1001658 LJ,LJE,L1	

Ref. No.	Part No.	Description	Reqd. QTY				Serial No.	Parts catalogue code
			GD410		GD411			
			(1)	(2)	(1)	(2)		
(5)	28423-ZG3-004	SHAFT, RATCHET .....	1	1	1	-	1000114 ----- LH,LHE,L1	
			1	-	-	-	1000114 ----- LJ,LJE	
			-	-	1	1	1001659 ----- LJ,LJE,L1	
6	28424-ZE1-711	PLATE, GUIDE .....	1	1	1	-	1000113 LH,LHE,L1	
			1	-	-	-	1000113 LJ,LJE	
			-	-	1	1	1001658 LJ,LJE,L1	
	28424-ZE1-712	.....	1	1	1	-	1000114 ----- LH,LHE,L1	
			1	-	-	-	1000114 ----- LJ,LJE	
			-	-	1	1	1001659 ----- LJ,LJE,L1	
7	28431-ZG3-003	PLATE A, FRICTION .....	1	1	1	-	1000113 LH,LHE,L1	
			1	-	-	-	1000113 LJ,LJE	
			-	-	1	1	1001658 LJ,LJE,L1	
	28431-ZG3-004	.....	1	1	1	-	1000114 ----- LH,LHE,L1	
			1	-	-	-	1000114 ----- LJ,LJE	
			-	-	1	1	1001659 ----- LJ,LJE,L1	
8	28432-ZG0-003	PLATE B, FRICTION .....	1	1	1	-	1000113 LH,LHE,L1	
			1	-	-	-	1000113 LJ,LJE	
			-	-	1	1	1001658 LJ,LJE,L1	
	28432-ZG0-004	.....	1	1	1	-	1000114 ----- LH,LHE,L1	
			1	-	-	-	1000114 ----- LJ,LJE	
			-	-	1	1	1001659 ----- LJ,LJE,L1	
9	28434-ZG3-611	COVER, STARTER REEL .....	1	1	1	-	1000113 LH,LHE,L1	
			1	-	-	-	1000113 LJ,LJE	
			-	-	1	1	1001658 LJ,LJE,L1	
	28434-ZG3-612	.....	1	1	1	-	1000114 ----- LH,LHE,L1	
			1	-	-	-	1000114 ----- LJ,LJE	
			-	-	1	1	1001659 ----- LJ,LJE,L1	
10	28441-ZG3-003	SPRING, FRICTION .....	1	1	1	-	1000113 LH,LHE,L1	
			1	-	-	-	1000113 LJ,LJE	
			-	-	1	1	1001658 LJ,LJE,L1	
	28441-ZG3-004	.....	1	1	1	-	1000114 ----- LH,LHE,L1	
			1	-	-	-	1000114 ----- LJ,LJE	
			-	-	1	1	1001659 ----- LJ,LJE,L1	
11	28442-ZE1-711	SPRING, RETURN .....	1	1	1	-	1000113 LH,LHE,L1	
			1	-	-	-	1000113 LJ,LJE	
			-	-	1	1	1001658 LJ,LJE,L1	
	28442-ZE1-713	.....	1	1	1	-	1000114 ----- LH,LHE,L1	
			1	-	-	-	1000114 ----- LJ,LJE	
			-	-	1	1	1001659 ----- LJ,LJE,L1	
12	28449-ZG3-611	SPRING, TORSION .....	1	1	1	-	1000113 LH,LHE,L1	
			1	-	-	-	1000113 LJ,LJE	
			-	-	1	1	1001658 LJ,LJE,L1	
	28449-ZG3-612	.....	1	1	1	-	1000114 ----- LH,LHE,L1	
			1	-	-	-	1000114 ----- LJ,LJE	
			-	-	1	1	1001659 ----- LJ,LJE,L1	
13	28461-ZE8-811	GRIP, STARTER .....	1	1	1	-	1000113 LH,LHE,L1	
			1	-	-	-	1000113 LJ,LJE	
			-	-	1	1	1001658 LJ,LJE,L1	
14	28462-ZG3-003	ROPE, STARTER .....	1	1	1	-	1000113 LH,LHE,L1	
			1	-	-	-	1000113 LJ,LJE	
			-	-	1	1	1001658 LJ,LJE,L1	
	28462-ZG3-004	.....	1	1	1	-	1000114 ----- LH,LHE,L1	
			1	-	-	-	1000114 ----- LJ,LJE	
			-	-	1	1	1001659 ----- LJ,LJE,L1	





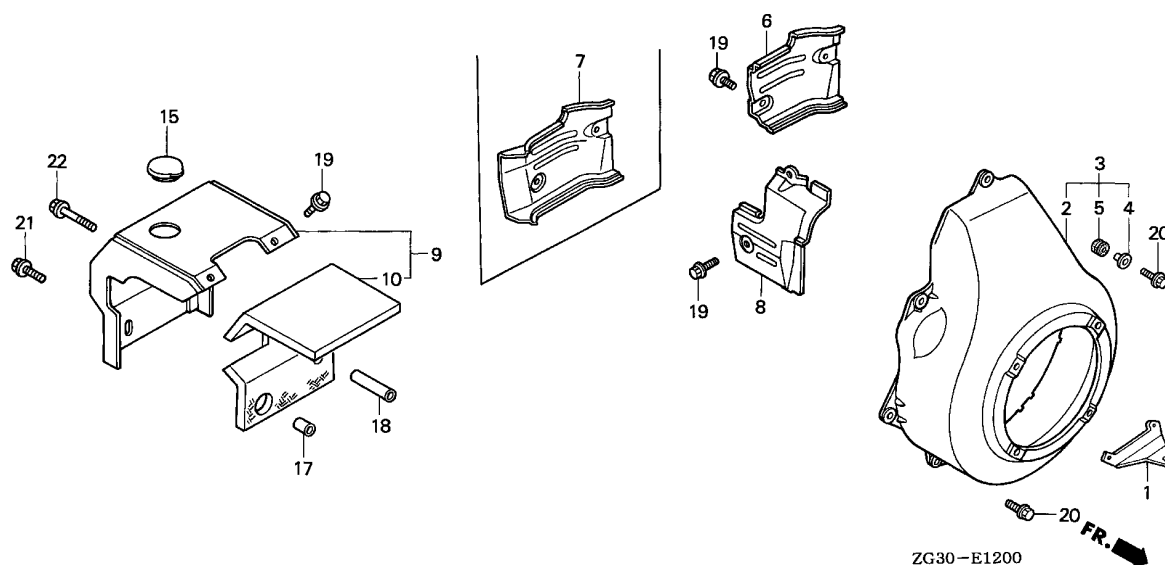


Ref. No.	Part No.	Description	Reqd. QTY				Serial No.	Parts catalogue code
			GD410		GD411			
			(1)	(2)	(1)	(2)		
15	90003-ZG0-003	BOLT, REEL COVER .....	1	1	1	-	----- 1000113 LH,LHE,L1	
			1	-	-	-	----- 1000113 LJ,LJE	
			-	-	1	1	----- 1001658 LJ,LJE,L1	
	90003-ZG3-004	BOLT, 6MM .....	1	1	1	-	----- 1000114 LH,LHE,L1	
			1	-	-	-	----- 1000114 LJ,LJE	
			-	-	1	1	----- 1001659 LJ,LJE,L1	
16	90011-ZG0-000	BOLT, FLANGE, 6X8 .....	4	4	4	4	----- LH,LHE,LJ,LJE,L1	
17	91501-ZG3-003	COLLAR .....	1	1	1	-	----- 1000113 LH,LHE,L1	
			1	-	-	-	----- 1000113 LJ,LJE	
			-	-	1	1	----- 1001658 LJ,LJE,L1	
	91501-ZG3-004	.....	1	1	1	-	----- 1000114 LH,LHE,L1	
			1	-	-	-	----- 1000114 LJ,LJE	
			-	-	1	1	----- 1001659 LJ,LJE,L1	
18	28461-ZG3-004	GRIP, STARTER .....	1	1	1	-	----- 1000114 LH,LHE,L1	
			1	-	-	-	----- 1000114 LJ,LJE	
			-	-	1	1	----- 1001659 LJ,LJE,L1	
19	28469-ZE2-W01	GRIP, REINFORCEMENT .....	1	1	1	-	----- 1000114 LH,LHE,L1	
			1	-	-	-	----- 1000114 LJ,LJE	
			-	-	1	1	----- 1001659 LJ,LJE,L1	

E-12

FAN COVER(1)

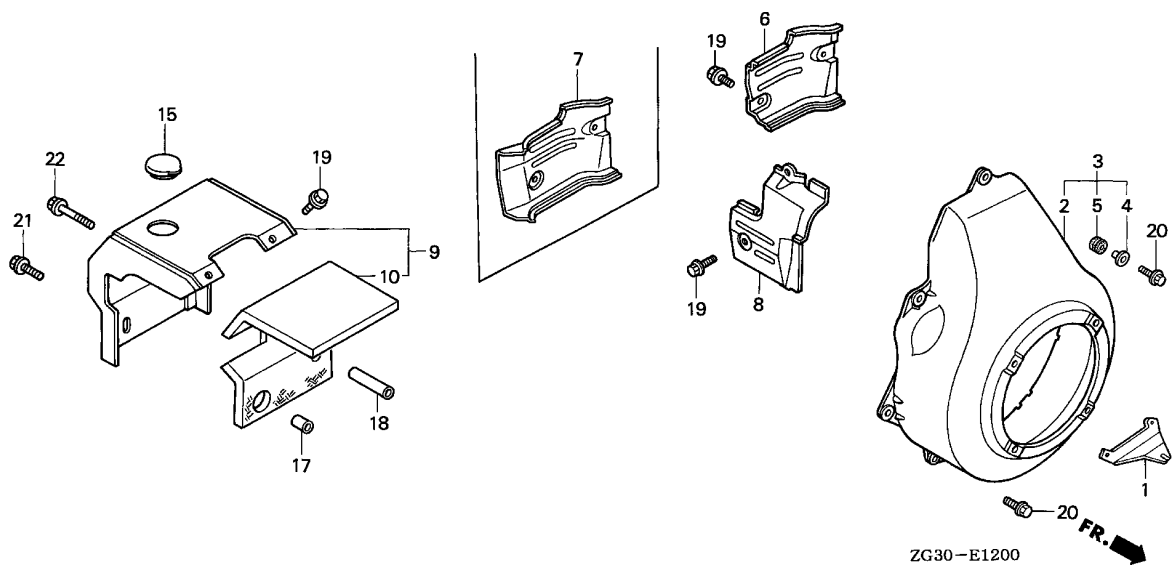
F 1



Service item	F.R.T.
COVER COMP., ENGINE	0.1
.HOLDER, STOP CABLE	
.SHROUD (A)	
.SHROUD (B)	
COVER COMP., FAN	0.6

Ref. No.	Part No.	Description	Reqd. QTY				Serial No.	Parts catalogue code
			GD410		GD411			
			(1)	(2)	(1)	(2)		
1	16507-ZG3-610	HOLDER, STOP CABLE .....	-	(1)	-	(1)		
2	19610-ZG3-610ZA	COVER COMP., FAN (L-TYPE) *NH116M*URBAN SILVER METALLIC	1	1	-	-	----- LJ,LJE,LWD,L1	
	19610-ZG3-000ZA	COVER COMP., FAN *NH116M*URBAN SILVER METALLIC	-	-	1	1	----- 1001067 LJ,LJE,LWD,L1	
			1	-	1	-	----- PA,PAA,PH,PX,QA,QAA,QAAE,QAE,QB,QBE,QFE,QH,QHE,QN,QNE,QX,QXE SB,SBE,SH,SHE,SIE,SJ,SJE,SN,SNE,SX,SXE,VA,VAA,VA AE,VAE,VF,VH VHE,VN,VNE,VX,VXE	
			-	1	1	1	----- E1,LH,LHE,LTE,LTE1,P1,QHE4,QHQ4,QHX,QHX4,QXE4,Q1,SHE4,SXE4 SXQ4,S1,V1	
3	19610-ZG3-880ZA	COVER COMP., FAN *NH116M*URBAN SILVER METALLIC	-	-	1	1	----- 1001068 ----- LJ,LJE,LWD,L1	
4	19621-ZG3-880	COLLAR, FAN COVER .....	1	-	1	-	----- VB,VBB,VBE,VBL,VBX,VBX1,VGB	
5	19628-ZG3-880	RUBBER, FAN COVER .....	7	-	7	-	----- VB,VBB,VBE,VBL,VBX,VBX1,VGB	
6	19631-ZG3-000	SHROUD (A) .....	1	-	1	-	----- LH,LHE,LJ,LJE,LTE,LTE1,LWD,PA,PAA,PH,PX,QA,QAA,QAAE,QAE,QH,QHE QHE4,QHQ4,QHX,QHX4,QX,QXE,QXE4,SH,SHE,SHE4,SIE,SJ,SJE,SX,SXE SXE4,SXQ4,VA,VAA,VA AE,VAE,VBX,VBX1,VGB,VH,VHE,VX,VXE	
			-	(1)	-	(1)	----- QB,QBE,SB,SBE,VB,VBB,VBE,VBL	
7	19631-ZG3-800	SHROUD (A) .....	-	(1)	-	(1)	----- LH,LHE,LJ,LJE,LTE,LTE1,LWD,PA,PAA,PH,PX,QA,QAA,QAAE,QAE,QFE,QH QHE,QHE4,QHQ4,QHX,QHX4,QX,QXE,QXE4,SH,SHE,SHE4,SIE,SJ,SJE,SX SXE,SXE4,SXQ4,VA,VAA,VA AE,VAE,VBX,VBX1,VF,VGB,VH,VHE,VX,VXE	
8	19632-ZG3-000	SHROUD (B) .....	1	-	1	-	----- QB,QBE,SB,SBE,VB,VBB,VBE,VBL	
	19632-ZG3-800	.....	-	1	-	1	----- QB,QBE,SN,SNE,VB,VBB,VBE,VBL,VN,VNE	



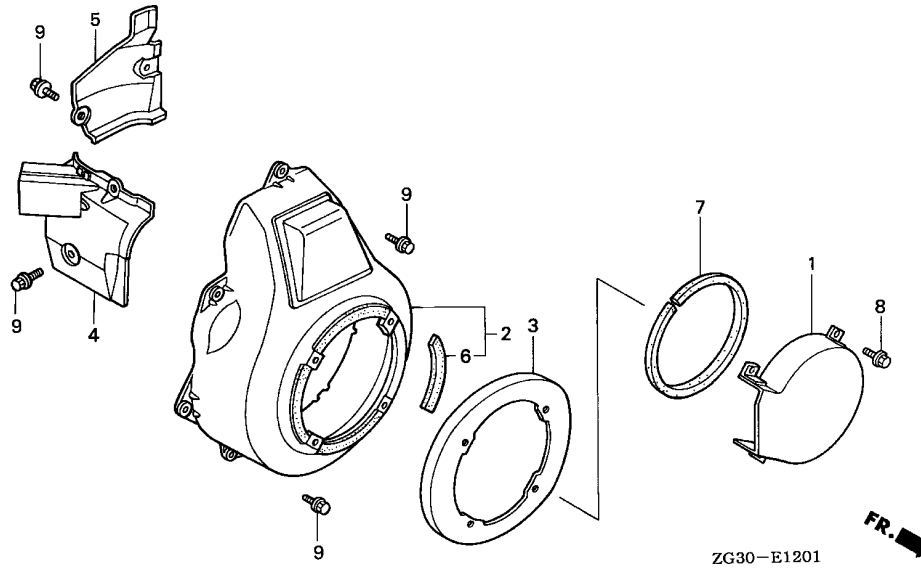


Ref. No.	Part No.	Description	Reqd. QTY				Serial No.	Parts catalogue code
			GD410		GD411			
			(1)	(2)	(1)	(2)		
9	19690-ZG3-010ZA	COVER COMP., ENGINE *NH116M*URBAN SILVER METALLIC	1	-	-	-	QB,QN,QNE,SB,SN,SNE,VB,VBB,VBL,VN,VNE	
	19690-ZG3-800ZA	*NH116M*URBAN SILVER METALLIC	1	-	-	1009060	QBE,SBE,VBE	
10	19696-ZG3-000	INSULATOR, ENGINE COVER .....	1	-	-	-	QB,QBE,QN,QNE,SB,SBE,SN,SNE,VB,VBB,VBE,VBL,VN,VNE	
15	90852-ZG3-000	CAP, ENGINE COVER HOLE .....	1	-	-	1009061	QBE,SBE,VBE	
17	91552-ZG3-010	COLLAR A, ENGINE COVER (17MM)	1	-	-	-	QB,QBE,QN,QNE,SB,SBE,SN,SNE,VB,VBB,VBE,VBL,VN,VNE	
18	91553-ZG3-010	COLLAR, ENGINE COVER (B)(45MM)	1	-	-	-	QB,QBE,QN,QNE,SB,SBE,SN,SNE,VB,VBB,VBE,VBL,VN,VNE	
19	95701-06012-00	BOLT, FLANGE, 6X12 .....	2	-	-	-	QFE,VF	
			4	-	4	-	LH,LHE,LJ,LJE,LTE,LTE1,LWD,PA,PAA,PH,PX,QA,QAA,QAAE,QAE,QB,QBE,QH,QHE,QHE4,QHQ4,QHX,QHX4,QN,QNE,QX,QXE,QXE4,SB,SBE,SH,SHE,SHE4,SIE,SJ,SJE,SN,SNE,SX,SXE,SXE4,SXQ4,VA,VAA,VAE,VAE,VB,VBB,VBE,VBL,VBX,VBX1,VGB,VH,VHE,VN,VNE,VX,VXE	
20	95701-06012-00	BOLT, FLANGE, 6X12 .....	-	4	-	4		
			7	-	7	-	LJ,LJE,LTE,LTE1,LWD,SIE,SJ,SJE	
			7	-	7	-	LH,LHE,PA,PAA,PH,PX,QA,QAA,QAAE,QAE,QB,QBE,QFE,QH,QHE,QHE4,QHQ4,QHX,QHX4,QN,QNE,QX,QXE,QXE4,SB,SBE,SH,SHE,SHE4,SN,SNE,SX,SXE,SXE4,SXQ4,VA,VAA,VAE,VAE,VF,VH,VHE,VN,VNE,VX,VXE	
	95701-06020-00	BOLT, FLANGE, 6X20 .....	7	-	7	-	VB,VBB,VBE,VBL,VBX,VBX1,VGB	
21	95701-06028-00	BOLT, FLANGE, 6X28 .....	1	-	-	-	QB,QBE,QN,QNE,SB,SBE,SN,SNE,VB,VBB,VBE,VBL,VN,VNE	
22	95701-06055-00	BOLT, FLANGE, 6X55 .....	1	-	-	-	QB,QBE,QN,QNE,SB,SBE,SN,SNE,VB,VBB,VBE,VBL,VN,VNE	

E-12-1

FAN COVER(2)

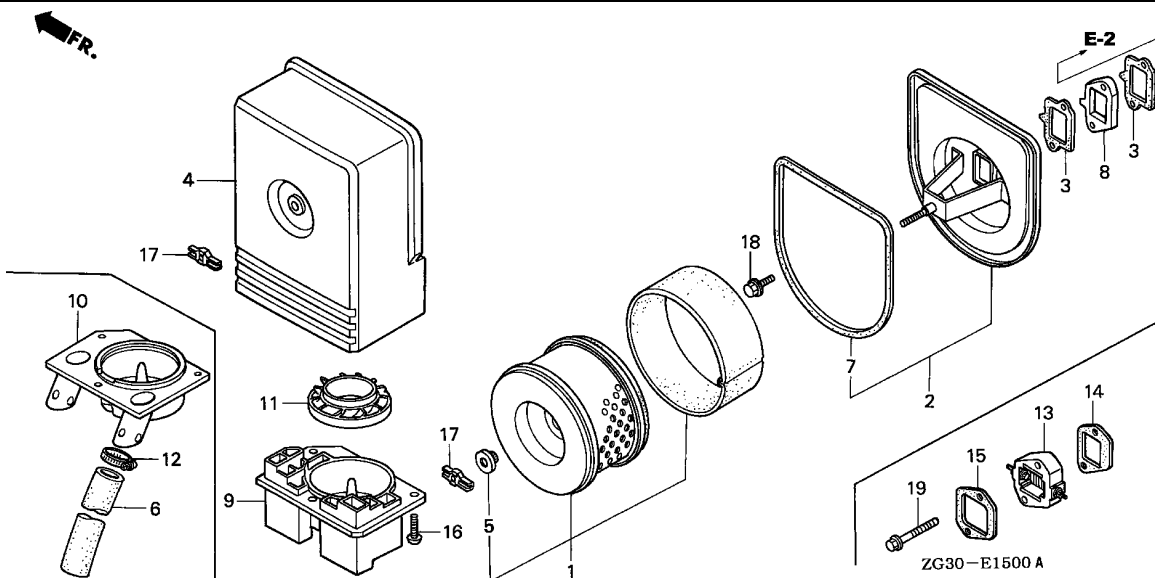
F 3



Service item	F.R.T.
SHROUD B .....	0.1
.SHROUD COMP.	
SEPARATOR, INNER .....	0.2
GUIDE COMP., COOLING AIR .....	0.6

Ref. No.	Part No.	Description	Reqd. QTY				Serial No.	Parts catalogue code
			GD410		GD411			
			(1)	(2)	(1)	(2)		
1	19015-ZC8-000	SHROUD COMP. ....	1	-	1	-	----- EGY	
2	19610-ZG3-E00	GUIDE COMP., COOLING AIR .....	1	-	1	-	----- EGY	
3	19629-ZG3-E00	SEPARATOR, INNER .....	1	-	1	-	----- EGY	
4	19630-ZG3-E00	SHROUD COMP. ....	1	-	1	-	----- EGY	
5	19632-ZG3-E00	SHROUD B .....	1	-	1	-	----- EGY	
6	19639-ZG3-E00	SEAL, INNER SEPARATOR .....	4	-	4	-	----- EGY	
7	63197-ZC8-000	RUBBER, SEPARATOR CENTER .....	1	-	1	-	----- EGY	
8	90011-ZG0-000	BOLT, FLANGE, 6X8 .....	4	-	4	-	----- EGY	
9	95701-06012-00	BOLT, FLANGE, 6X12 .....	11	-	11	-	----- EGY	

2

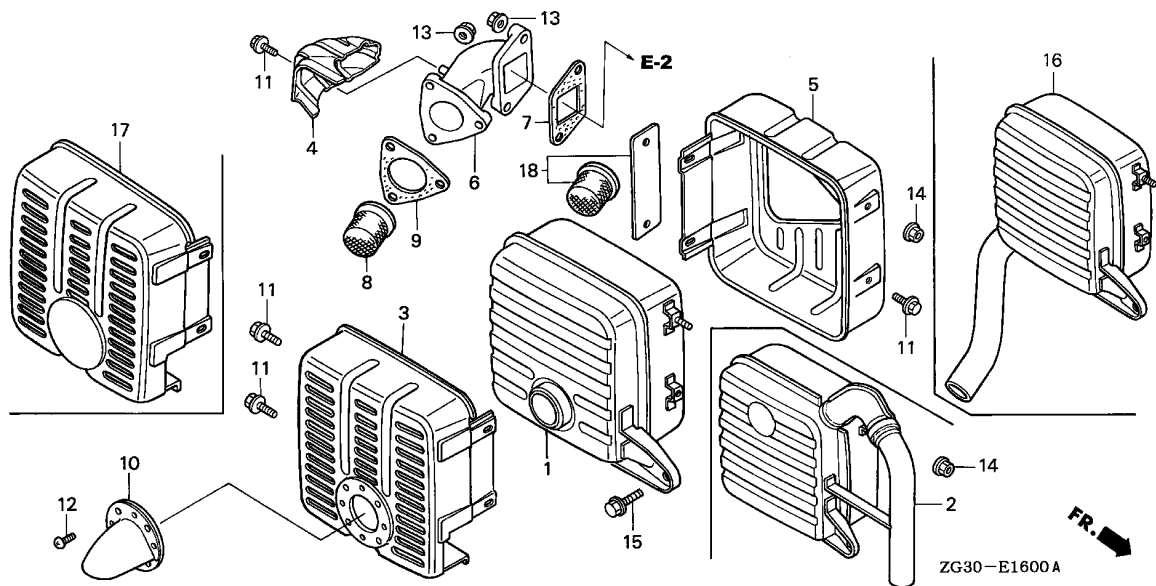


Service item	F.R.T.
CASE COMP., AIR CLEANER .....	0.1
.ELEMENT COMP., AIR CLEANER	
.INSULATOR, AIR CLEANER	
.TUBE, AIR CLEANER IN.	
CASE, PRE CLEANER .....	0.2
.HEATER ASSY., IN.	
.PACKING, IN. HEATER	

Ref. No.	Part No.	Description	Reqd. QTY				Serial No.	Parts catalogue code
			GD410		GD411			
			(1)	(2)	(1)	(2)		
1	17210-ZG3-003	ELEMENT COMP., AIR CLEANER ..	1	-	1	-	-----	LH,LHE,LJ,LJE,PH,PX,QB,QBE,QFE,QH,QHE,QHE4,QHQ4,QHX,QHX4,QN,QNE,QX,QXE,QXE4,SB,SBE,SH,SHE,SHE4,SIE,SJ,SJE,SN,SNE,SX,SXE,SXE4,SXQ4,VB,VBE,VBL,VBX1,VF,VGB,VH,VHE,VN,VNE,VX,VXE
			-	(1)	-	(1)	-----	QA,QAE
	17210-ZG3-801	ELEMENT COMP., AIR CLEANER (WET)	1	-	1	-	-----	EGY,LTE,LTE1,LWD,PA,PAA,QAA,QAAE,VA,VAA,VAAE,VAE,VBB,VBX
			-	(1)	-	(1)	-----	QA,QAE
2	17220-ZG3-003	CASE COMP., AIR CLEANER .....	1	(1)	-	(1)	-----	EGY,LH,LHE,LJ,LJE,LTE,LTE1,LWD,PA,PAA,PH,PX,QA,QAA,QAAE,QA,QE,QB,QBE,QH,QHE,QHE4,QHQ4,QX,QXE,QXE4,SB,SBE,SH,SHE,SHE4,SIE,SJ,SJE,SX,SXE,SXE4,VA,VAA,VAAE,VAE,VB,VBB,VBE,VBL,VGB,VH,VHE,VX,VXE
	17220-ZJ7-870	CASE COMP., AIR CLEANER (ALERT)	-	-	1	-	-----	QHX,QHX4,VBX,VBX1
3	17228-ZG3-000	PACKING, AIR CLEANER .....	1	-	-	(1)	-----	LH,LHE,LJ,LJE,LWD,QAAE,QN,QNE,SN,SNE,VN,VNE
			1	-	-	-	-----	1021215 SJ,SJE
			1	-	-	-	-----	1021266 PA,PAA,PH,PX,QA,QAA,QA,QE,QB,QBE,QFE,QH,QHE,QX,QXE,SB,SBE,SH,SHE,SX,SXE,VA,VAA,VAAE,VAE,VB,VBB,VBE,VBL,VF,VH,VHE,VX,VXE
			2	-	-	-	-----	EGY
			-	(1)	-	-	-----	

Ref. No.	Part No.	Description	Reqd. QTY				Serial No.	Parts catalogue code
			GD410		GD411			
			(1)	(2)	(1)	(2)		
(3)	17228-ZG3-800	PACKING, AIR CLEANER (NON ASBEST)	-	(1)	-	-	----- L1	
			-	(1)	-	-	----- 1021240 E1,P1,Q1,S1,V1	
			1	-	1	-	----- LTE,LTE1,QHE4,QHQ4,QHX,QHX4,QXE4,SHE4,SIE,SXE4,SXQ4,VBX,VBX1	
							----- VGB	
			1	-	-	-	----- 1021216 SJ,SJE	
			1	-	-	-	----- 1021267 PA,PAA,PH,PX,QA,QAA,QAE,QB,QBE,QFE,QH,QHE,QX,QXE,SB,SBE,SH,SHE	
							----- SX,SXE,VA,VAA,VAAE,VAE,VB,VBB,VBE,VBL,VF,VH,VHE,VX,VXE	
			-	1	-	-	----- 1021241 E1,P1,Q1,S1,V1	
			-	-	1	-	----- LH,LHE,LJ,LJE,LWD,PA,PAA,PH,PX,QA,QAA,QAAE,QAE,QB,QBE,QH,QHE	
							----- QX,QXE,SB,SBE,SH,SHE,SJ,SJE,SX,SXE,VA,VAA,VAAE,VAE,VB,VBB,VBE	
							----- VBL,VH,VHE,VX,VXE	
			-	-	2	-	----- EGY	
			-	-	-	1		
4	17230-ZG3-000	COVER COMP., AIR CLEANER .....	1	(1)	1	(1)		
5	17232-ZG3-003	GROMMET, AIR CLEANER .....	1	(1)	1	(1)		
6	17252-ZG3-900	TUBE, AIR CLEANER IN. ....	2	-	2	-	----- SIE	
7	17406-ZG3-000	PACKING, AIR CLEANER CASE ...	1	(1)	1	(1)		
8	17412-ZG3-E00	INSULATOR, AIR CLEANER .....	1	-	1	-	----- EGY	
9	17471-ZG3-000	CASE, PRE CLEANER .....	1	-	1	-	----- EGY,LH,LHE,LJ,LJE,LWD,PA,PAA,PH,PX,QA,QAA,QAAE,QAE,QFE,QH,QHE	
							----- QHE4,QHQ4,QHX,QHX4,QN,QNE,QX,QXE,QXE4,SH,SHE,SHE4,SJ,SJE,SN	
							----- SNE,SX,SXE,SXE4,SXQ4,VA,VAA,VAAE,VAE,VF,VH,VHE,VN,VNE,VX,VXE	
			-	(1)	-	(1)		
	17471-ZG3-880	CASE, PRE AIR CLEANER (N3) ..	1	-	1	-	----- QB,QBE,SB,SBE,VB,VBB,VBE,VBL,VBX,VBX1,VGB	
10	17471-ZG3-900	CASE, PRE CLEANER .....	1	-	1	-	----- LTE,LTE1,SIE	
11	17476-ZG3-003	GUIDE, PRE AIR CLEANER .....	1	(1)	1	(1)		
12	19516-ML7-700	CLAMP, HOSE .....	2	-	-	-	----- SIE	
	19516-GAG-003	CLAMP, HOSE, 30-37MM .....	-	-	2	-	----- SIE	
13	38750-ZG3-611	HEATER ASSY., IN. ....	-	(1)	-	-	----- L1,P1,Q1,S1,V1	
			-	-	-	(1)		
14	38756-ZG3-610	PACKING, IN. HEATER (A) .....	-	(1)	-	-	----- L1,P1,Q1,S1,V1	
			-	-	-	(1)		
15	38757-ZG3-610	PACKING, IN. HEATER (B) .....	-	(1)	-	-	----- L1,P1,Q1,S1,V1	
			-	-	-	(1)		
16	90142-MB0-000	SCREW, PAN, 5X16.5 .....	3	(3)	3	(3)		
17	90203-PB2-000	NUT, AIR CLEANER COVER (DACRO COATING)	2	(2)	2	(2)		
18	95701-08022-00	BOLT, FLANGE, 8X22 .....	2	-	2	-	----- LH,LHE,LJ,LJE,LTE,LTE1,LWD,PA,PAA,PH,PX,QA,QAA,QAAE,QAE,QB,QBE	
							----- QFE,QH,QHE,QHE4,QHQ4,QHX,QHX4,QN,QNE,QX,QXE,QXE4,SB,SBE,SH,SHE	
							----- SHE4,SIE,SJ,SJE,SN,SNE,SX,SXE,SXE4,SXQ4,VA,VAA,VAAE,VAE,VB,VBB	
							----- VBE,VBL,VBX,VBX1,VF,VGB,VH,VHE,VN,VNE,VX,VXE	
			-	(2)	-	(2)		
	95701-08035-00	BOLT, FLANGE, 8X35 .....	2	-	2	-	----- EGY	
19	95701-08050-00	BOLT, FLANGE, 8X50 .....	-	(2)	-	-	----- L1,P1,Q1,S1,V1	
			-	-	-	(2)		





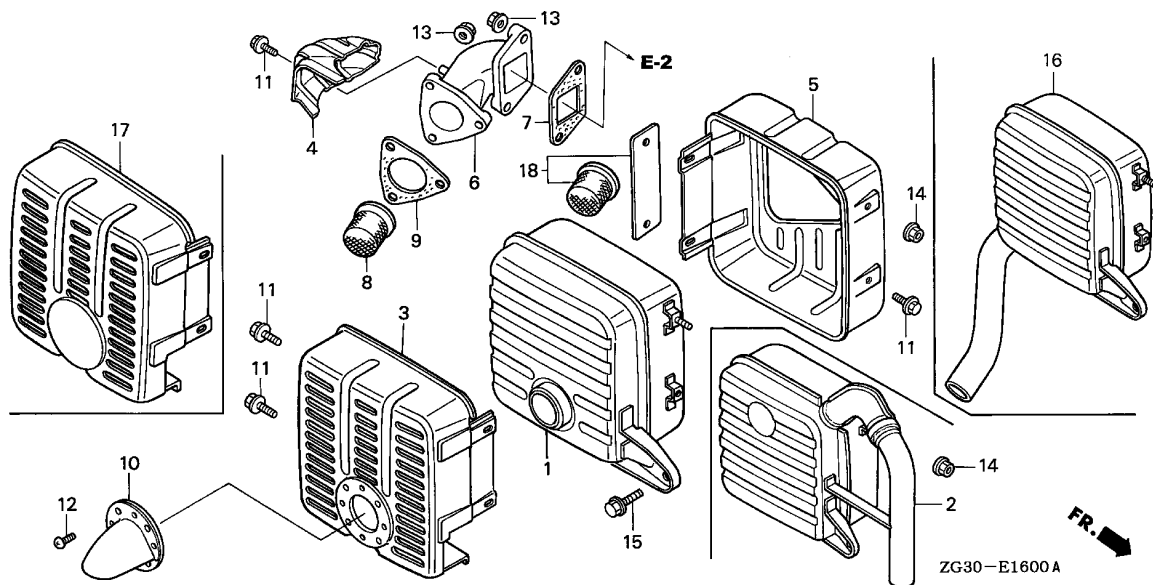
Service item	F.R.T.
ARRESTER, SPARK .....	0.2
.GASKET, EX. PIPE	
.GASKET, MUFFLER	
.PIPE, EX.	
MUFFLER COMP. ....	0.3
.PROTECTOR A, MUFFLER	

Ref. No.	Part No.	Description	Reqd. QTY				Serial No.	Parts catalogue code
			GD410		GD411			
			(1)	(2)	(1)	(2)		
1	18310-ZG3-003	MUFFLER COMP. ....	1	-	1	-	LH,LHE,LJ,LJE,LTE1,LWD,PA,PAA,PH,PX,QA,QAA,QAAE,QAE,QFE,QH,QHE,QHE4,QHQ4,QX,QXE,QXE4,SH,SHE,SHE4,SJ,SJE,SX,SXE,SXE4,SXQ4,VAA,VAAE,VAE,VF,VH,VHE,VX,VXE	
2	18310-ZG3-900	MUFFLER COMP. ....	-	(1)	-	(1)	SIE	
3	18321-ZG3-003	PROTECTOR A, MUFFLER .....	1	-	1	-	LJ,LJE,LTE1,LWD,SJ,SJE	
			1	-	-	-	LH,LHE,PA,PAA,PH,PX,QA,QAA,QAAE,QAE,QH,QHE,QX,SH,SHE,SX,SXE,VA,VAA,VAAE,VAE,VH,VHE,VXE	
	18321-ZG3-800	.....	1	-	-	-	QFE,VF	
		(HEAT-RESISTANT)	1	-	-	-	1000192 QXE,VX	
	18321-ZG3-003	.....	1	-	-	-	1000193 QXE,VX	
			-	-	1	-	LH,LHE,PA,PAA,PH,PX,QA,QAA,QAAE,QAE,QH,QHE,QHE4,QHQ4,QX,QXE,QXE4,SH,SHE,SHE4,SX,SXE,SXE4,SXQ4,VA,VAA,VAAE,VAE,VH,VHE,VX	
4	18323-ZG3-800	PROTECTOR, EX. PIPE .....	1	-	1	-	LJ,LJE,LTE1,LWD,SJ,SJE	
			1	-	-	-	QAA,QAAE	
			1	-	-	-	1009311 QA,QAE	
5	18325-ZG3-003	PROTECTOR B, MUFFLER .....	1	-	1	-	LJ,LJE,LTE1,LWD,SJ,SJE	
			1	-	-	-	LH,LHE,PA,PAA,PH,PX,QA,QAA,QAAE,QAE,QH,QHE,QX,SH,SHE,SX,SXE,VA,VAA,VAAE,VAE,VH,VHE,VXE	
	18325-ZG3-800	.....	-	(1)	-	(1)	QFE,VF	
			1	-	-	-	1000192 QXE,VX	
		(HEAT-RESISTANT)	-	(1)	-	(1)		
	18325-ZG3-880	.....	-	-	-	(1)		

Ref. No.	Part No.	Description	Reqd. QTY		Serial No.	Parts catalogue code	
			GD410 (1)	GD411 (2)			
(5)	18325-ZG3-003	PROTECTOR B, MUFFLER .....	1	-	1000193	----- QXE, VX ----- LH, LHE, PA, PAA, PH, PX, QA, QAA, QAAE, QAE, QH, QHE, QHE4, QHQ4, QX, QXE ----- QXE4, SH, SHE, SHE4, SX, SXE, SXE4, SXQ4, VA, VAA, VAAE, VAE, VH, VHE, VX ----- VXE	
6	18331-ZG3-800	PIPE, EX. ....	1	-	-----	----- LJ, LJE, LTE1, LWD, SJ, SJE	
			1	-	1009310	----- QA, QAE	
	18331-ZG3-000	.....	-	(1)	-	(1)	
			1	-	-----	----- LH, LHE, PA, PAA, PH, PX, QAA, QAAE, QFE, QH, QHE, QHE4, QHQ4, QX, QXE, QXE4 ----- SH, SHE, SHE4, SIE, SX, SXE, SXE4, SXQ4, VA, VAA, VAAE, VAE, VF, VH, VHE, VX ----- VXE	
			1	-	1009311	----- QA, QAE	
			-	(1)	-	(1)	
			-	-	-----	----- QA, QAE	
7	18333-ZG3-000	GASKET, EX. PIPE .....	1	-	1019342	----- LH, LHE, LJ, LJE, LWD, SJ, SJE	
			1	-	1019418	----- PA, PAA, PH, PX, QA, QAA, QAAE, QAE, QFE, QH, QHE, QX, QXE, SH, SHE, SX, SXE ----- VA, VAA, VAAE, VAE, VF, VH, VHE, VX, VXE	
	18333-ZG3-800	GASKET, EX. PIPE (NON ASBEST)	-	(1)	-	1018553	
			1	-	-----	----- SIE	
			1	-	1019343	----- LH, LHE, LJ, LJE, LWD, SJ, SJE	
			1	-	1019419	----- PA, PAA, PH, PX, QA, QAA, QAAE, QAE, QFE, QH, QHE, QX, QXE, SH, SHE, SX, SXE ----- VA, VAA, VAAE, VAE, VF, VH, VHE, VX, VXE	
			-	(1)	1	-----	
			-	-	-----	----- LH, LHE, L1, PA, PAA, PH, PX, QA, QAA, QAAE, QAE, QH, QHE, QHE4, QHQ4, QX, QXE ----- QXE4, SH, SHE, SHE4, SX, SXE, SXE4, SXQ4, VA, VAA, VAAE, VAE, VH, VHE, VX ----- VXE	
			-	(1)	-	1021618	----- E1, P1, Q1, S1, V1
			-	1	-	1021619	----- E1, P1, Q1, S1, V1
			-	-	1	-----	
			-	-	1	-----	
8	18355-ZG3-000	ARRESTER, SPARK .....	1	-	-----	----- PAA, QAA, QAAE, VAA, VAAE	
			1	-	1009311	----- QA, QAE	
			-	(1)	-	(1)	
9	18381-ZG3-000	GASKET, MUFFLER .....	1	-	1019353	----- LH, LHE, LJ, LJE, LWD, SJ, SJE	
			1	-	1019418	----- PA, PAA, PH, PX, QA, QAA, QAAE, QAE, QFE, QH, QHE, QX, QXE, SH, SHE, SX, SXE ----- VA, VAA, VAAE, VAE, VF, VH, VHE, VX, VXE	
	18381-ZG3-800	GASKET, MUFFLER (NON ASBEST)	-	(1)	-	1018553	
			1	-	-----	----- LTE1, QHE4, QHQ4, QXE4, SHE4, SIE, SXE4, SXQ4	
			1	-	1019354	----- LH, LHE, LJ, LJE, LWD, SJ, SJE	
			1	-	1019419	----- PA, PAA, PH, PX, QA, QAA, QAAE, QAE, QFE, QH, QHE, QX, QXE, SH, SHE, SX, SXE ----- VA, VAA, VAAE, VAE, VF, VH, VHE, VX, VXE	
			-	(1)	-	1018554	----- L1
			-	(1)	-	1018554	----- 1021618
			-	-	1	-----	
			-	-	1	-----	
			-	1	-	1021619	----- E1, P1, Q1, S1, V1
			-	-	1	-----	
10	18431-ZG3-800	DEFLECTOR, MUFFLER .....	(1)	-	-----	----- PA, PAA, QA, QAA, QAAE, QAE, VA, VAA, VAAE, VAE	
			-	(1)	-	(1)	
11	90002-ZG3-000	BOLT, FLANGE, 5X8 .....	3	-	-----	----- LH, LHE, PA, PAA, PH, PX, QFE, QH, QHE, QHE4, QHQ4, QX, QXE, QXE4, SH, SHE ----- SHE4, SX, SXE, SXE4, SXQ4, VA, VAA, VAAE, VAE, VF, VH, VHE, VX, VXE	
			5	-	-----	----- QAA, QAAE	
			5	-	-----	----- LJ, LJE, LTE1, LWD, SJ, SJE	
			5	-	1009311	----- QA, QAE	
			-	(5)	-	(5)	
			-	-	3	-----	
			-	-	3	-----	
12	93500-05008-0B	SCREW, PAN, 5X8 .....	(4)	-	-----	----- QA, QAE	
			-	(4)	-	(4)	
			-	-	-----	----- PA, PAA, QA, QAA, QAAE, QAE, VA, VAA, VAAE, VAE	







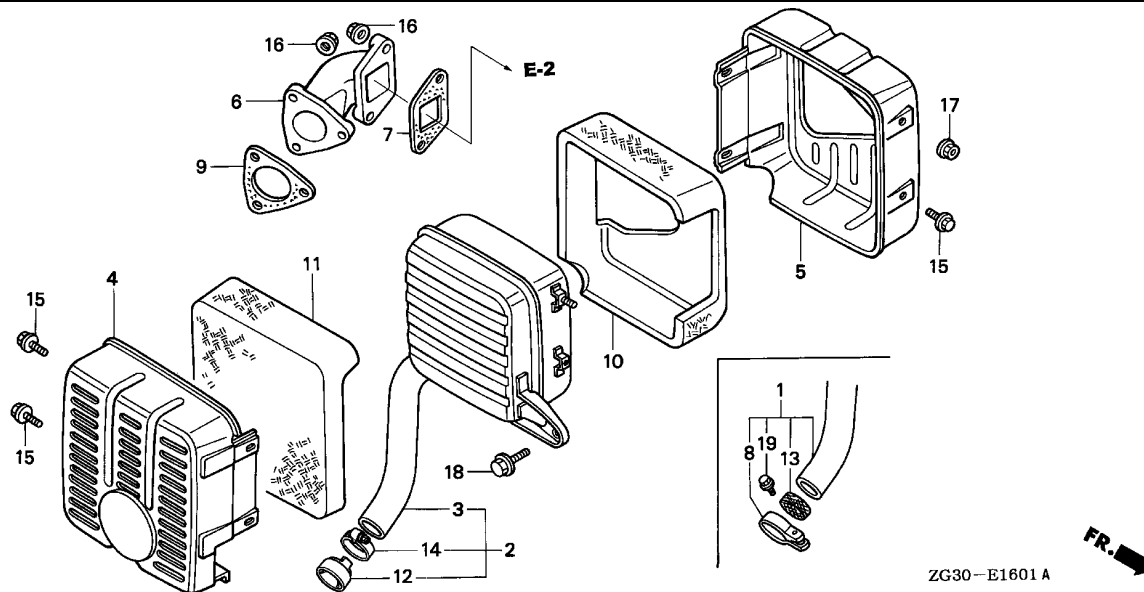
ZG30-E1600A

Ref. No.	Part No.	Description	Reqd. QTY		Serial No.	Parts catalogue code	
			GD410 (1) (2)	GD411 (1) (2)			
13	94050-08000	NUT, FLANGE, 8MM .....	5	- 5	- - - - -	LH,LHE,LJ,LJE,LTE,LTE1,LWD,PA,PAA,PH,PX,QA,QAA,QAAE,QAE,QFE,QH,QHE,QHE4,QHQ4,QX,QXE,QXE4,SH,SHE,SHE4,SIE,SJ,SJE,SX,SXE,SXE4,SXQ4,VA,VAA,VAE,VAE,VAE,VF,VH,VHE,VX,VXE	
			-	(5)	-	(5)	
14	94050-08000	NUT, FLANGE, 8MM .....	1	-	-	- - - - -	LJ,LJE,SJ,SJE
	94050-08020	.....	1	-	1	- - - - -	LH,LHE,LTE1,LWD,PA,PAA,PH,PX,QA,QAA,QAAE,QAE,QFE,QH,QHE,QHE4,QHQ4,QX,QXE,QXE4,SH,SHE,SHE4,SIE,SX,SXE,SXE4,SXQ4,VA,VAA,VAE,VAE,VAE,VF,VH,VHE,VX,VXE
			-	(1)	-	(1)	
15	95701-08020-00	BOLT, FLANGE, 8X20 .....	1	-	1	- - - - -	LJ,LJE,SJ,SJE
			-	-	1	- - - - -	LH,LHE,LJ,LJE,LTE1,LWD,PA,PAA,PH,PX,QA,QAA,QAAE,QAE,QFE,QH,QHE,QHE4,QHQ4,QX,QXE,QXE4,SH,SHE,SHE4,SIE,SJ,SJE,SX,SXE,SXE4,SXQ4,VA,VAA,VAE,VAE,VAE,VF,VH,VHE,VX,VXE
			-	(1)	-	(1)	
16	18310-ZJ7-870	MUFFLER COMP. ....	-	-	-	- (1)	
17	18321-ZG3-880	PROTECTOR A, MUFFLER .....	-	-	-	- (1)	
18	06180-ZG3-930	ARRESTER KIT, SPARK .....	(1)	-	(1)	- - - - -	PA,VA,VAE
			-	-	(1)	- - - - -	QA,QAE

E-16-1

MUFFLER(2)

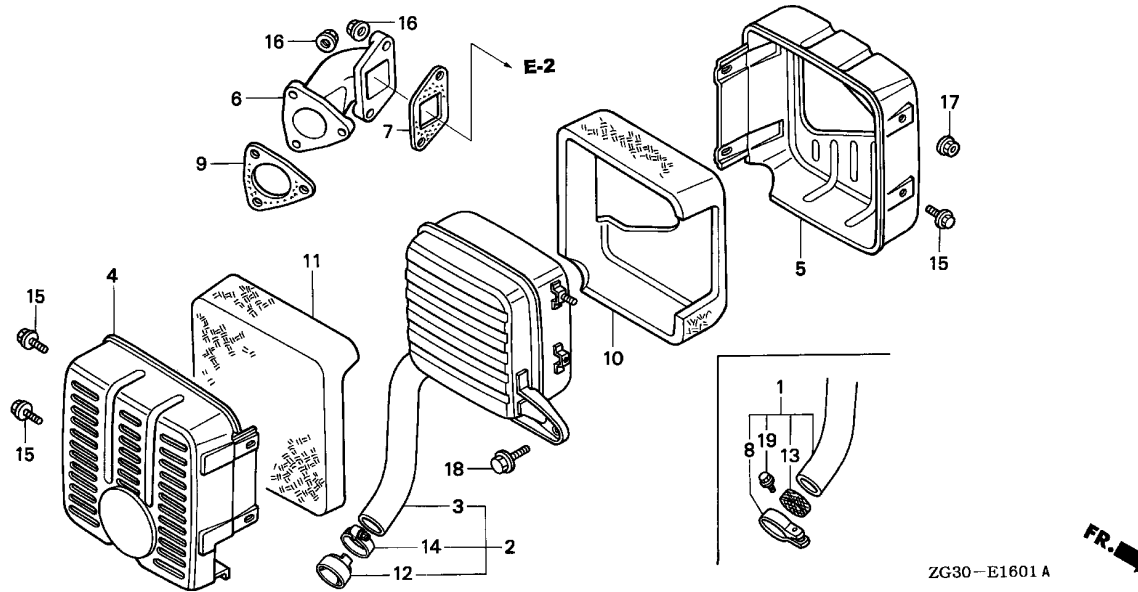
F 9



Service item	F.R.T.
GASKET, EX. PIPE .....	0.2
.GASKET, MUFFLER	
.PIPE, EX.	
.PROTECTOR A, MUFFLER	
MUFFLER COMP. ....	0.3

Ref. No.	Part No.	Description	Reqd. QTY				Serial No.	Parts catalogue code
			GD410		GD411			
			(1)	(2)	(1)	(2)		
1	18310-ZG3-801	MUFFLER COMP. ....	1	-	-	-	QN,QNE,SN,SNE,VN,VNE	
2	18310-ZG3-802	MUFFLER COMP. ....	1	-	-	-	QB,QBE,SB,SBE,VB,VBE	
	18310-ZG3-920	MUFFLER COMP. (BOSCH) .....	1	-	-	1009061	VBL	
			-	-	1	-	QB,QBE,SB,SBE,VB,VBE	
3	18310-ZJ7-870	MUFFLER COMP. ....	-	-	1	-	VBB,VBX,VBX1,VGB	
4	18321-ZG3-811	PROTECTOR A, MUFFLER .....	1	-	-	-	QB,QBE,SB,SBE,VB,VBE,VBL	
	18321-ZG3-880		1	-	1	-	QHX,QHX4	
5	18325-ZG3-811	PROTECTOR B, MUFFLER .....	1	-	-	-	QN,QNE,SN,SNE,VN,VNE	
	18325-ZG3-880		1	-	1	-	QB,QBE,QHX,QHX4,SB,SBE,VB,VBB,VBE,VBL,VBX,VBX1,VGB	
6	18331-ZG3-000	PIPE, EX. ....	1	-	1	-	QB,QBE,QHX,QHX4,SN,SNE,VN,VNE	
7	18333-ZG3-000	GASKET, EX. PIPE .....	1	-	-	-	QB,QBE,QHX,QHX4,SN,SNE,VN,VNE	
			1	-	-	1019353	QB,QBE,SB,SBE,VB,VBE	
	18333-ZG3-800	GASKET, EX. PIPE (NON ASBEST)	1	-	-	1019534	VBB,VBL	
			1	-	-	1019354	QB,QBE,SB,SBE,VB,VBE	
			1	-	-	1019535	VBB,VBL	
8	18371-GS9-000	BAND, MUFFLER .....	1	-	1	-	QB,QBE,QHX,QHX4,SB,SBE,VB,VBB,VBE,VBL,VBX,VBX1,VGB	
			1	-	-	-	QN,QNE,SN,SNE,VN,VNE	
			1	-	-	1009060	QB,QBE,SB,SBE,VB,VBE	
9	18381-ZG3-000	GASKET, MUFFLER .....	1	-	-	-	QN,QNE,SN,SNE,VN,VNE	
			1	-	-	1019353	QB,QBE,SB,SBE,VB,VBE	
			1	-	-	1019534	VBB,VBL	
	18381-ZG3-800	GASKET, MUFFLER (NON ASBEST)	1	-	-	1019354	QB,QBE,SB,SBE,VB,VBE	
			1	-	-	1019535	VBB,VBL	
			-	-	1	-	QB,QBE,QHX,QHX4,SB,SBE,VB,VBB,VBE,VBL,VBX,VBX1,VGB	
10	18463-ZG3-880	WOOL A, GLASS .....	1	-	1	-	QB,QBE,SB,SBE,VB,VBB,VBE,VBL,VBX,VBX1,VGB	

2

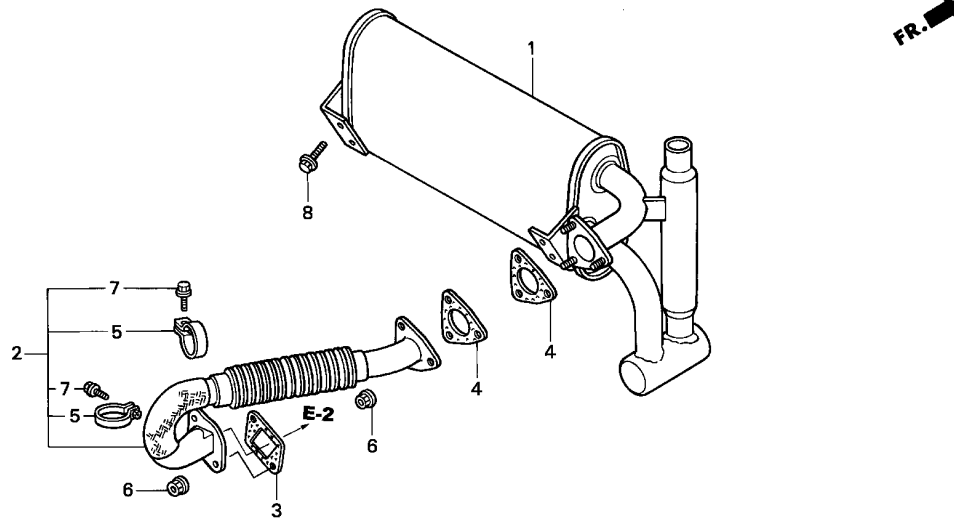


Ref. No.	Part No.	Description	Reqd. QTY				Serial No.	Parts catalogue code
			GD410		GD411			
			(1)	(2)	(1)	(2)		
11	18464-ZG3-880	WOOL B, GLASS .....	1	-	1	-	QB,QBE,SB,SBE,VB,VBB,VBE,VBL,VBX,VBX1,VGB	
12	18545-ZG3-920	SCREEN COMP. ....	1	-	1	-	VBB,VBL,VBX,VBX1,VGB	
			1	-	-	1009061	QB,QBE,SB,SBE,VB,VBE	
			-	-	-	-	QB,QBE,SB,SBE,VB,VBE	
13	18547-ZG3-000	SCREEN .....	1	-	-	-	QN,QNE,SN,SNE,VN,VNE	
			1	-	-	1009060	QB,QBE,SB,SBE,VB,VBE	
14	19516-MB6-000	CLAMP, WATER HOSE .....	1	-	1	-	VBB,VBL,VBX,VBX1,VGB	
			1	-	-	1009061	QB,QBE,SB,SBE,VB,VBE	
			-	-	1	-	QB,QBE,SB,SBE,VB,VBE	
15	90002-ZG3-000	BOLT, FLANGE, 5X8 .....	3	-	3	-	QB,QBE,QHX,QHX4,QN,QNE,SB,SBE,SN,SNE,VB,VBB,VBE,VBL,VBX,VBX1	
							VGB,VN,VNE	
16	94050-08000	NUT, FLANGE, 8MM .....	5	-	5	-	QB,QBE,QHX,QHX4,QN,QNE,SB,SBE,SN,SNE,VB,VBB,VBE,VBL,VBX,VBX1	
							VGB,VN,VNE	
17	94050-08020	NUT, FLANGE, 8MM .....	1	-	1	-	QB,QBE,QHX,QHX4,QN,QNE,SB,SBE,SN,SNE,VB,VBB,VBE,VBL,VBX,VBX1	
							VGB,VN,VNE	
18	95701-08020-00	BOLT, FLANGE, 8X20 .....	1	-	1	-	QB,QBE,QHX,QHX4,QN,QNE,SB,SBE,SN,SNE,VB,VBB,VBE,VBL,VBX,VBX1	
							VGB,VN,VNE	
19	95701-08035-00	BOLT, FLANGE, 8X35 .....	1	-	-	-	QN,QNE,SN,SNE,VN,VNE	
	95701-08030-00	BOLT, FLANGE, 8X30 .....	1	-	-	-	1005282 QB,QBE,SB,SBE,VB,VBE	
			1	-	-	-	1005283 1009060 QB,QBE,SB,SBE,VB,VBE	

E-16-2

MUFFLER(3)

F11



Service item	F.R.T.
GASKET, EX. PIPE .....	0.3
.GASKET, MUFFLER	
.MUFFLER COMP.	
.PIPE COMP., EX.	

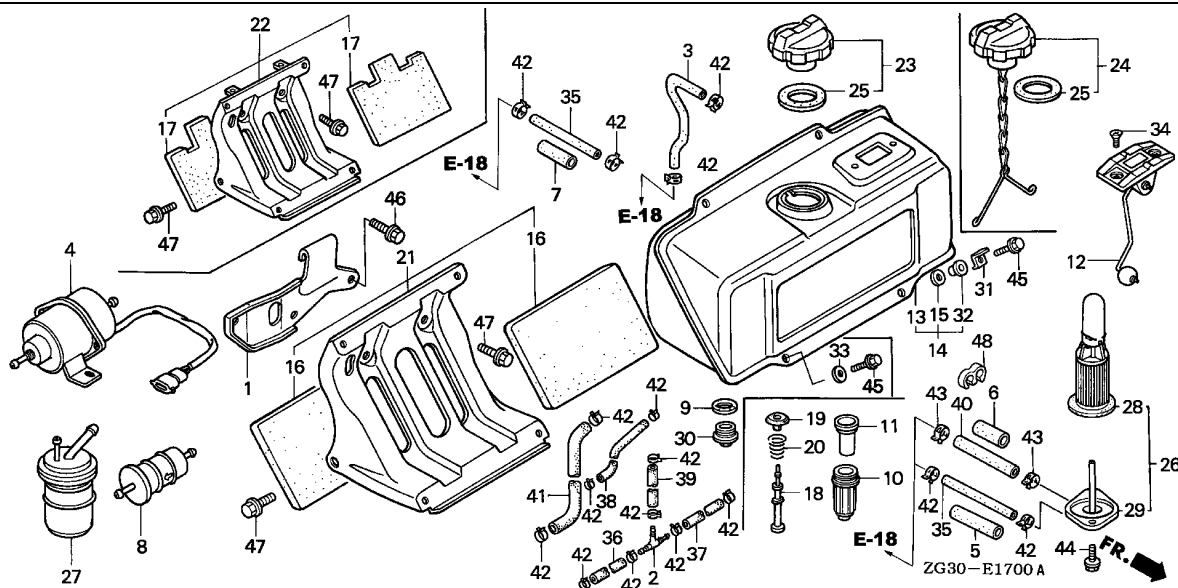
Ref. No.	Part No.	Description	Reqd. QTY				Serial No.	Parts catalogue code
			GD410		GD411			
			(1)	(2)	(1)	(2)		
1	18310-ZC8-003	MUFFLER COMP. ....	1	-	1	-	-----	EGY
2	18330-ZC8-003	PIPE COMP., EX. ....	1	-	1	-	-----	EGY
3	18333-ZG3-000	GASKET, EX. PIPE .....	1	-	-	-	1019342	EGY
	18333-ZG3-800	GASKET, EX. PIPE (NON ASBEST)	1	-	-	-	1019343	EGY
			-	-	1	-	-----	EGY
4	18381-ZG3-800	GASKET, MUFFLER (NON ASBEST)	2	-	2	-	-----	EGY
5	18539-ZC8-003	BAND, INSULATOR .....	2	-	2	-	-----	EGY
6	94050-08080	NUT, FLANGE, 8MM .....	5	-	5	-	-----	EGY
7	95701-06020-08	BOLT, FLANGE, 6X20 .....	2	-	2	-	-----	EGY
8	95701-08016-08	BOLT, FLANGE, 8X16 .....	4	-	4	-	-----	EGY

2

E-17

FUEL TANK(1)

F12

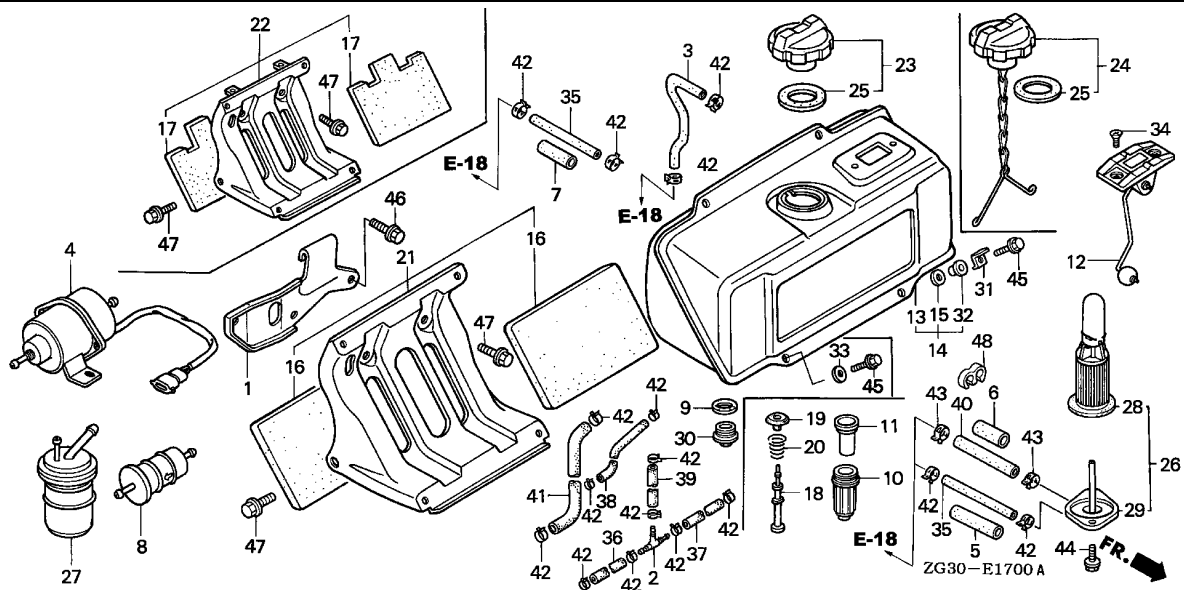


Service item	F.R.T.
GAUGE ASSY., FUEL .....	0.1
FILTER COMP., FUEL .....	0.2
.JOINT, FUEL	
.STRAINER COMP., FUEL	
.TUBE, FUEL	
.TUBE, FUEL, 4.5X100	
.TUBE, FUEL, 4.5X200	
.TUBE, FUEL, 4.5X450	
.TUBE, FUEL, 8X450	
FILTER ASSY., FUEL .....	0.3
.PUMP ASSY., FUEL	
.STRAINER COMP.	
.TANK COMP., FUEL	
STAY COMP., FUEL TANK .....	0.4

Ref. No.	Part No.	Description	Reqd. QTY				Serial No.	Parts catalogue code
			GD410		GD411			
			(1)	(2)	(1)	(2)		
1	11911-ZG3-000	HANGER, ENGINE .....	1	-	1	-	LH,LHE,LJ,LJE,LTE,LTE1,LWD,PA,PAA,PH,PX,QA,QAA,QAAE,QAE,QB,QBE,QFE,QH,QHE,QHE4,QHQ4,QHX,QHX4,QN,QNE,QX,QXE,QXE4,SB,SBE,SH,SHE,SHE4,SIE,SJ,SJE,SN,SNE,SX,SXE,SXE4,SXQ4,VA,VAA,VAAE,VAE,VB,VBB,VBE,VBL,VBX,VBX1,VF,VGB,VH,VHE,VN,VNE,VX,VXE	
2	16235-399-000	JOINT, FUEL .....	-	1	-	1		
3	16346-ZG3-000	TUBE, FUEL .....	1	-	1	-	LH,LHE,LJ,LJE,LTE,LTE1,LWD,PA,PAA,PH,PX,QA,QAA,QAAE,QAE,QB,QBE,QFE,QH,QHE,QHE4,QHQ4,QHX,QHX4,QN,QNE,QX,QXE,QXE4,SB,SBE,SH,SHE,SHE4,SJ,SJE,SN,SNE,SX,SXE,SXE4,SXQ4,VA,VAA,VAAE,VAE,VB,VBB,VBE,VBL,VBX,VBX1,VF,VGB,VH,VHE,VN,VNE,VX,VXE	
4	16700-ZG3-901	PUMP ASSY., FUEL .....	-	(1)	-	(1)	EGY,SIE	
5	16854-ZG3-000	RUBBER, SUPPORTER (9X48) .....	1	-	1	-	LH,LHE,LJ,LJE,LTE,LTE1,LWD,PA,PAA,PH,PX,QA,QAA,QAAE,QAE,QB,QBE,QFE,QH,QHE,QHE4,QHQ4,QHX,QHX4,QN,QNE,QX,QXE,QXE4,SB,SBE,SH,SHE,SHE4,SJ,SJE,SN,SNE,SX,SXE,SXE4,SXQ4,VA,VAA,VAAE,VAE,VB,VBB,VBE,VBL,VBX,VBX1,VF,VGB,VH,VHE,VN,VNE,VX,VXE	
			-	(1)	-	(1)		
6	16857-ZG3-000	RUBBER, SUPPORTER (B) .....	1	-	1	-	LH,LHE,LJ,LJE,LTE,LTE1,LWD,PA,PAA,PH,PX,QA,QAA,QAAE,QAE,QB,QBE,QFE,QH,QHE,QHE4,QHQ4,QHX,QHX4,QN,QNE,QX,QXE,QXE4,SB,SBE,SH,SHE,SHE4,SJ,SJE,SN,SNE,SX,SXE,SXE4,SXQ4,VA,VAA,VAAE,VAE,VB,VBB,VBE,VBL,VBX,VBX1,VF,VGB,VH,VHE,VN,VNE,VX,VXE	
			-	(1)	-	(1)		
7	16858-ZG3-000	RUBBER, SUPPORTER (9X30) .....	1	-	1	-	LH,LHE,LJ,LJE,LTE,LTE1,LWD,PA,PAA,PH,PX,QA,QAA,QAAE,QAE,QB,QBE,QFE,QH,QHE,QHE4,QHQ4,QHX,QHX4,QN,QNE,QX,QXE,QXE4,SB,SBE,SH,SHE,SHE4,SJ,SJE,SN,SNE,SX,SXE,SXE4,SXQ4,VA,VAA,VAAE,VAE,VB,VBB,VBE,VBL,VBX,VBX1,VF,VGB,VH,VHE,VN,VNE,VX,VXE	
			-	(1)	-	(1)		
8	16910-ZG3-901	STRAINER COMP., FUEL .....	1	-	1	-	EGY,SIE	

Ref. No.	Part No.	Description	Reqd. QTY		Serial No.	Parts catalogue code	
			GD410 (1)	GD411 (2)			
9	16963-443-901	GASKET .....	1	-	1	-	LH,LHE,LJ,LJE,LTE,LTE1,LWD,PA,PAA,PH,PX,QA,QAA,QAAE,QAE,QB,QBE,QFE,QH,QHE,QHE4,QHQ4,QHX,QHX4,QN,QNE,QX,QXE,QXE4,SB,SBE,SH,SHE,SHE4,SJ,SJE,SN,SNE,SX,SXE,SXE4,SXQ4,VA,VAA,VAAE,VAE,VB,VBB,VBE,VBL,VBX,VBX1,VF,VGB,VH,VHE,VN,VNE,VX,VXE
10	16965-443-901	CUP HOLDER .....	-	(1)	-	(1)	
11	16967-196-005	CUP, FUEL STRAINER .....	-	(1)	-	(1)	
12	17505-ZG3-801	GAUGE ASSY., FUEL .....	1	-	1	-	LTE,LTE1,LWD,PA,PAA,PX,QAA,QAAE,QFE,QX,QXE,QXE4,SX,SXE,SXE4,SXQ4,VA,VAA,VAAE,VAE,VF,VGB,VX,VXE
			1	-	-	-	1009311 QA,QAE
			-	(1)	-	(1)	
			-	-	1	-	QA,QAE
13	17510-ZG3-000ZA	TANK COMP., FUEL (4.5L) *R8*.....BRIGHT RED	1	-	-	-	LH,LHE,LJ,LJE,PH,QB,QBE,QH,QHE,QN,QNE,SB,SBE,SH,SHE,SJ,SJE,SN,SNE,VH,VHE,VN,VNE
			1	-	-	-	1009310 QA,QAE
			-	(1)	-	-	
	17510-ZG3-800ZA	TANK COMP., FUEL (GAUGE) *R8*.....BRIGHT RED	1	-	1	-	QFE,VF,VGB
			1	-	-	-	LWD,PA,PAA,PX,QAA,QAAE,QX,QXE,SX,SXE,VA,VAA,VAAE,VAE,VX,VXE
			1	-	-	-	1009311 QA,QAE
			-	(1)	-	-	
	17510-ZG3-000ZB	TANK COMP., FUEL *NH105*...MAT BLACK (#15-#20)	-	-	1	-	LH,LHE,LJ,LJE,PH,QB,QBE,QH,QHE,QHE4,QHQ4,QHX,QHX4,SB,SBE,SH,SHE,SHE4,SJ,SJE,VB,VBB,VBE,VBL,VBX,VBX1,VH,VHE
			-	-	-	(1)	
	17510-ZG3-800ZB	TANK COMP., FUEL (GAUGE) *NH105*...MAT BLACK (#15-#20)	-	-	1	-	PA,PAA,PX,QA,QAA,QAAE,QAE,QX,QXE,QXE4,SX,SXE,SXE4,SXQ4,VA,VAA,VAAE,VAE,VX,VXE
			-	-	1	-	LTE,LTE1,LWD
			-	-	-	(1)	
14	17510-ZG3-880ZA	TANK COMP., FUEL (N3) *R8*.....BRIGHT RED	1	-	-	-	VB,VBB,VBE,VBL
15	17515-ZG3-880	RUBBER, TANK MOUNTING .....	4	-	-	-	VB,VBB,VBE,VBL
16	17535-ZG3-000	SEAT, TANK STAY .....	2	-	2	-	LH,LHE,LJ,LJE,LTE,LTE1,LWD,PA,PAA,PH,PX,QA,QAA,QAAE,QAE,QFE,QH,QHE,QHE4,QHQ4,QHX,QHX4,QX,QXE,QXE4,SH,SHE,SHE4,SJ,SJE,SX,SXE,SXE4,SXQ4,VA,VAA,VAAE,VAE,VF,VH,VHE,VX,VXE
			-	(2)	-	(2)	
17	17535-ZG3-800	SEAT, TANK STAY (A) .....	2	-	2	-	QB,QBE,QN,QNE,SB,SBE,SN,SNE,VB,VBB,VBE,VBL,VBX,VBX1,VGB,VN,VNE
18	17546-ZG3-800	PIN, FUEL STOPPER .....	-	(1)	-	(1)	
19	17547-ZG3-800	VALVE, FUEL STOPPER .....	-	(1)	-	(1)	
20	17548-ZG3-800	SPRING, FUEL STOPPER .....	-	(1)	-	(1)	
21	17560-ZG3-000	STAY COMP., FUEL TANK .....	1	-	1	-	LH,LHE,LJ,LJE,LTE,LTE1,LWD,PA,PAA,PH,PX,QA,QAA,QAAE,QAE,QFE,QH,QHE,QHE4,QHQ4,QHX,QHX4,QX,QXE,QXE4,SH,SHE,SHE4,SJ,SJE,SX,SXE,SXE4,SXQ4,VA,VAA,VAAE,VAE,VF,VH,VHE,VX,VXE
			-	(1)	-	(1)	
22	17560-ZG3-800	STAY COMP., FUEL TANK .....	1	-	-	-	QB,QBE,QN,QNE,SB,SBE,SN,SNE,VB,VBB,VBE,VBL,VN,VNE
	17560-ZJ7-880	STAY COMP., FUEL TANK (EEC) .....	-	-	1	-	QB,QBE,SB,SBE,VB,VBB,VBE,VBL,VBX,VBX1,VGB
23	17620-ZG3-003	CAP COMP., FUEL FILLER .....	1	-	1	-	LTE,LTE1,LWD,PA,PAA,PX,QAA,QAAE,QFE,QX,QXE,QXE4,SX,SXE,SXE4,SXQ4,VA,VAA,VAAE,VAE,VF,VGB,VX,VXE
			1	-	-	-	1009311 QA,QAE
			1	-	-	-	1000470 SJ,SJE
			-	(1)	-	(1)	
			-	-	1	-	QA,QAE

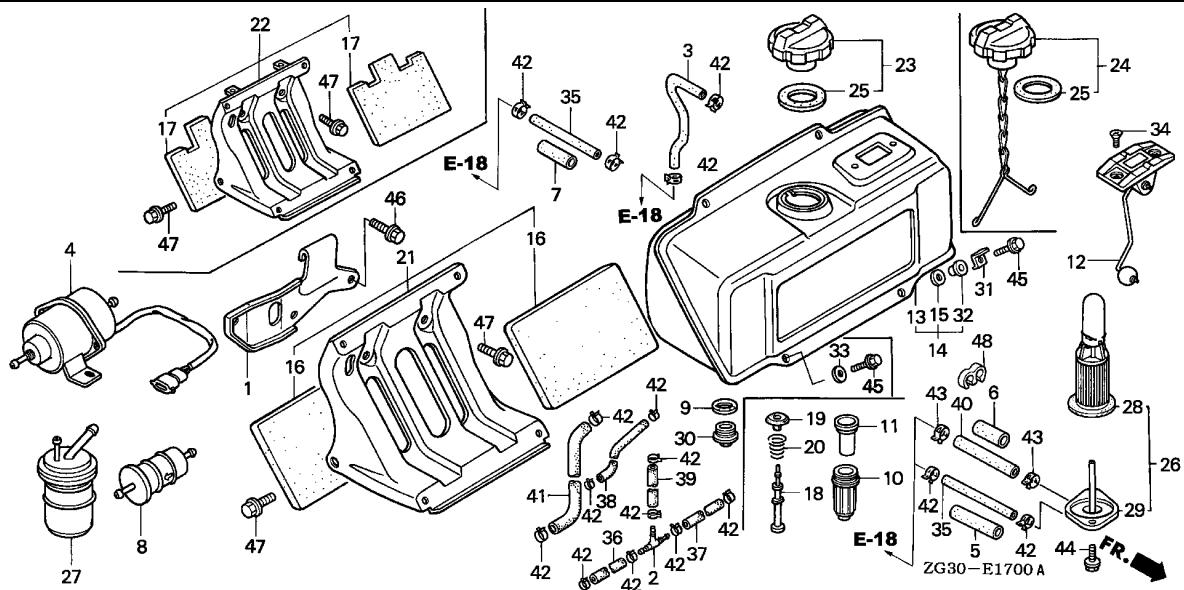




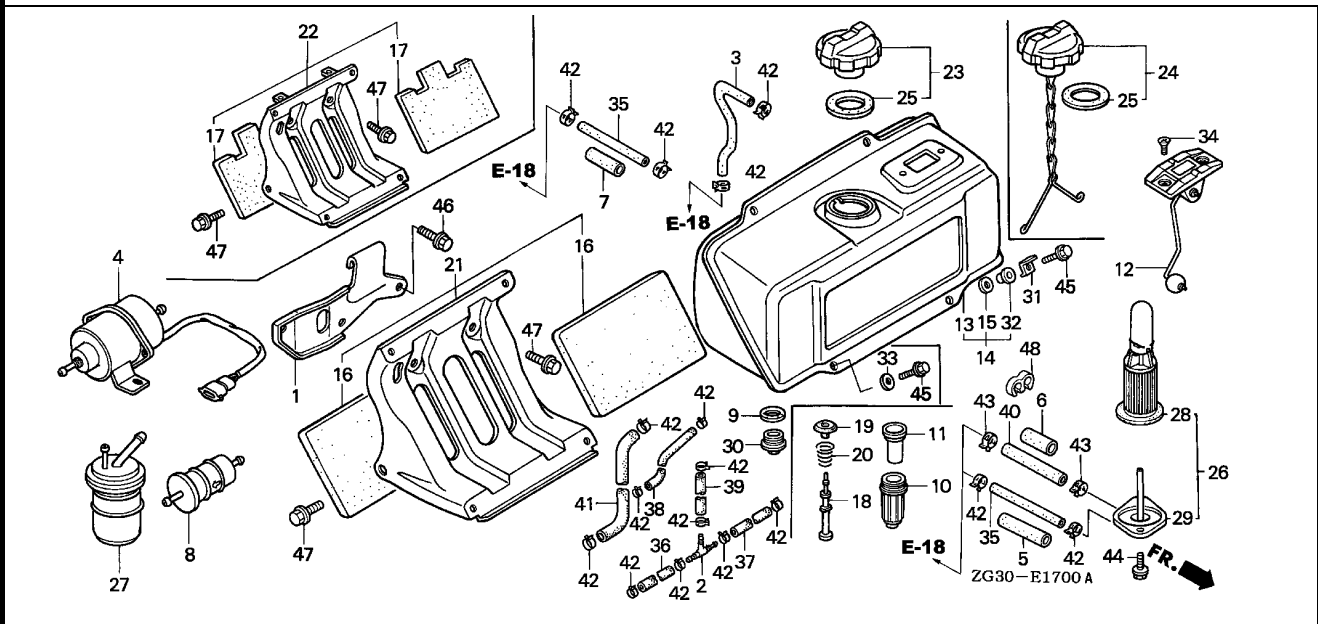
Ref. No.	Part No.	Description	Reqd. QTY				Serial No.	Parts catalogue code
			GD410 (1)	GD410 (2)	GD411 (1)	GD411 (2)		
24	17620-ZG3-801	CAP COMP., FUEL FILLER .....	1	-	1	-	LH,LHE,LJ,LJE,PH,QB,QBE,QH,QHE,QHE4,QHQ4,QHX,QHX4,QN,QNE,SB,SBE,SH,SHE,SHE4,SN,SNE,VB,VBB,VBE,VBL,VBX,VBX1,VH,VHE,VN,VNE	
			1	-	-	1000471	SJ,SJE	
			1	-	-	1009310	QA,QAE	
			-	(1)	-	(1)		
25	17631-329-003	PACKING, FUEL FILLER CAP ....	1	-	1	-	SJ,SJE	
			-	(1)	-	(1)	LH,LHE,LJ,LJE,LTE,LTE1,LWD,PA,PAA,PH,PX,QA,QAA,QAAE,QAE,QB,QBE,QFE,QH,QHE,QHE4,QHQ4,QHX,QHX4,QN,QNE,QX,QXE,QXE4,SB,SBE,SH,SHE,SHE4,SJ,SJE,SN,SNE,SX,SXE,SXE4,SXQ4,VA,VAA,VAE,VAE,VB,VBB,VBE,VBL,VBX,VBX1,VF,VGB,VH,VHE,VN,VNE,VX,VXE	
			-	(1)	-	(1)		
26	17670-ZG3-003	FILTER ASSY., FUEL .....	1	1	-	-	1006040 P1,Q1,SJ,SJE,S1,V1	
			1	-	-	-	1004976 PH,PX,QA,QAE,QFE,QH,QHE,QN,QNE,QX,QXE,SH,SHE,SN,SNE,SX,SXE,VF,VH,VHE,VN,VNE,VX,VXE	
	17670-ZG3-013	.....	1	(1)	1	-	E1,LH,LHE,LJ,LJE,LTE,LTE1,LWD,L1,PA,PAA,QAA,QAAE,QB,QBE,QHE4,QHQ4,QHX,QHX4,QXE4,SB,SBE,SHE4,SXE4,SXQ4,VA,VAA,VAE,VAE,VB,VBB,VBE,VBL,VBX,VBX1,VGB	
			1	(1)	-	-	1006041 P1,Q1,SJ,SJE,S1,V1	
			1	-	-	-	1004977 PH,PX,QA,QAE,QFE,QH,QHE,QN,QNE,QX,QXE,SH,SHE,SN,SNE,SX,SXE,VF,VH,VHE,VN,VNE,VX,VXE	
			-	-	1	-	PH,PX,QA,QAE,QH,QHE,QX,QXE,SH,SHE,SJ,SJE,SX,SXE,VH,VHE,VX,VXE	
			-	-	-	(1)		
27	17670-ZG3-901	FILTER COMP., FUEL .....	1	-	1	-	EGY,SIE	
28	17682-ZG3-003	STRAINER COMP. ....	1	-	1	-	LH,LHE,LJ,LJE,LTE,LTE1,LWD,PA,PAA,PH,PX,QA,QAA,QAAE,QAE,QB,QBE,QFE,QH,QHE,QHE4,QHQ4,QHX,QHX4,QN,QNE,QX,QXE,QXE4,SB,SBE,SH,SHE,SHE4,SJ,SJE,SN,SNE,SX,SXE,SXE4,SXQ4,VA,VAA,VAE,VAE,VB,VBB,VBE,VBL,VBX,VBX1,VF,VGB,VH,VHE,VN,VNE,VX,VXE	
			-	(1)	-	(1)		

Ref. No.	Part No.	Description	Reqd. QTY		Serial No.	Parts catalogue code
			GD410 (1) (2)	GD411 (1) (2)		
29	17687-ZG3-003	BODY, STRAINER .....	1	1	-	1006040 P1,Q1,SJ,SJE,S1,V1
			1	-	-	1004976 PH,PX,QA,QAE,QFE,QH,QHE,QN,QNE,QX,QXE,SH,SHE,SN,SNE,SX,SXE,VF
	17687-ZG3-013	.....	1	(1)	1	----- E1,LH,LHE,LJ,LJE,LTE,LTE1,LWD,L1,PA,PAA,QAA,QAAE,QB,QBE,QHE4
						----- QHQ4,QHX,QHX4,QXE4,SB,SBE,SHE4,SXE4,SXQ4,VA,VAA,VAAE,VAE,VB
			1	(1)	-	1006041 ----- P1,Q1,SJ,SJE,S1,V1
			1	-	-	1004977 ----- PH,PX,QA,QAE,QFE,QH,QHE,QN,QNE,QX,QXE,SH,SHE,SN,SNE,SX,SXE,VF
			-	-	1	----- VH,VHE,VN,VNE,VX,VXE
			-	-	(1)	----- PH,PX,QA,QAE,QH,QHE,QX,QXE,SH,SHE,SJ,SJE,SX,SXE,VH,VHE,VX,VXE
30	90021-ZG3-003	BOLT, DRAIN .....	1	-	1	----- LH,LHE,LJ,LJE,LTE,LTE1,LWD,PA,PAA,PH,PX,QA,QAA,QAAE,QAE,QB,QBE
						----- QFE,QH,QHE,QHE4,QHQ4,QHX,QHX4,QN,QNE,QX,QXE,QXE4,SB,SBE,SH,SHE
						----- SHE4,SJ,SJE,SN,SNE,SX,SXE,SXE4,SXQ4,VA,VAA,VAAE,VAE,VB,VBB,VBE
			-	(1)	-	----- VBL,VBX,VBX1,VF,VGB,VH,VHE,VN,VNE,VX,VXE
31	90407-ZG3-000	WASHER, SPECIAL, 6MM .....	4	(4)	-	1004184 PH,PX,P1,QA,QAE,QFE,QH,QHE,QN,QNE,QX,QXE,Q1,SH,SHE,SJ,SJE,SN
						----- SNE,SX,SXE,S1,VF,VH,VHE,VN,VNE,VX,VXE,V1
	90407-ZG3-010	.....	4	(4)	-	----- E1,LH,LHE,LJ,LJE,LWD,L1,PA,PAA,QAA,QAAE,QB,QBE,SB,SBE,VA,VAA
						----- VAAE,VAE
			4	(4)	-	1004185 ----- PH,PX,P1,QA,QAE,QFE,QH,QHE,QN,QNE,QX,QXE,Q1,SH,SHE,SN,SNE,SX
						----- SXE,S1,VF,VH,VHE,VN,VNE,VX,VXE,V1
			4	-	-	1004185 1021240 SJ,SJE
32	90501-425-000	COLLAR, 6.2X12 .....	4	-	-	----- VB,VBB,VBE,VBL
33	90506-500-000	WASHER, AIR DUCT .....	-	(4)	-	(4)
	94103-06000	WASHER, PLAIN, 6MM .....	4	-	-	1021241 ----- SJ,SJE
			-	-	4	----- LH,LHE,LJ,LJE,LTE,LTE1,LWD,PA,PAA,PH,PX,QA,QAA,QAAE,QAE,QB,QBE
						----- QH,QHE,QHE4,QHQ4,QHX,QHX4,QX,QXE,QXE4,SB,SBE,SH,SHE,SHE4,SJ
						----- SJE,SX,SXE,SXE4,SXQ4,VA,VAA,VAAE,VAE,VB,VBB,VBE,VBL,VBX,VBX1
						----- VGB,VH,VHE,VX,VXE
			-	-	(4)	
34	93600-05010-0A	SCREW, FLAT, 5X10 .....	2	-	2	----- LTE,LTE1,LWD,PA,PAA,PH,PX,QA,QAA,QAAE,QFE,QX,QXE,QXE4,SX,SXE,SXE4
						----- SXQ4,VA,VAA,VAAE,VAE,VF,VGB,VX,VXE
			2	-	-	1009311 ----- QA,QAE
			-	(2)	-	(2)
			-	-	2	----- QA,QAE
35	95001-45100-40	TUBE, FUEL, 4.5X100 (95001-45001-60M)	2	-	2	----- LH,LHE,LJ,LJE,LTE,LTE1,LWD,PA,PAA,PH,PX,QA,QAA,QAAE,QAE,QB,QBE
						----- QFE,QH,QHE,QHE4,QHQ4,QHX,QHX4,QN,QNE,QX,QXE,QXE4,SB,SBE,SH,SHE
						----- SHE4,SJ,SJE,SN,SNE,SX,SXE,SXE4,SXQ4,VA,VAA,VAAE,VAE,VB,VBB,VBE
						----- VBL,VBX,VBX1,VF,VGB,VH,VHE,VN,VNE,VX,VXE
			-	(2)	-	(2)
36	95001-45140-40	TUBE, FUEL, 4.5X140 (95001-45001-60M)	-	(1)	-	(1)
37	95001-45200-40	TUBE, FUEL, 4.5X200 (95001-45001-60M)	-	(1)	-	(1)
38	95001-45450-40	TUBE, FUEL, 4.5X450 (95001-45001-60M)	-	(1)	-	(1)
39	95001-45620-40	TUBE, FUEL, 4.5X620 (95001-45001-60M)	-	(1)	-	(1)
40	95001-80095-40	TUBE, FUEL, 8X95 (95001-80001-60M)	1	-	1	----- LH,LHE,LJ,LJE,LTE,LTE1,LWD,PA,PAA,PH,PX,QA,QAA,QAAE,QAE,QB,QBE
						----- QFE,QH,QHE,QHE4,QHQ4,QHX,QHX4,QN,QNE,QX,QXE,QXE4,SB,SBE,SH,SHE
						----- SHE4,SJ,SJE,SN,SNE,SX,SXE,SXE4,SXQ4,VA,VAA,VAAE,VAE,VB,VBB,VBE
						----- VBL,VBX,VBX1,VF,VGB,VH,VHE,VN,VNE,VX,VXE
			-	(1)	-	(1)

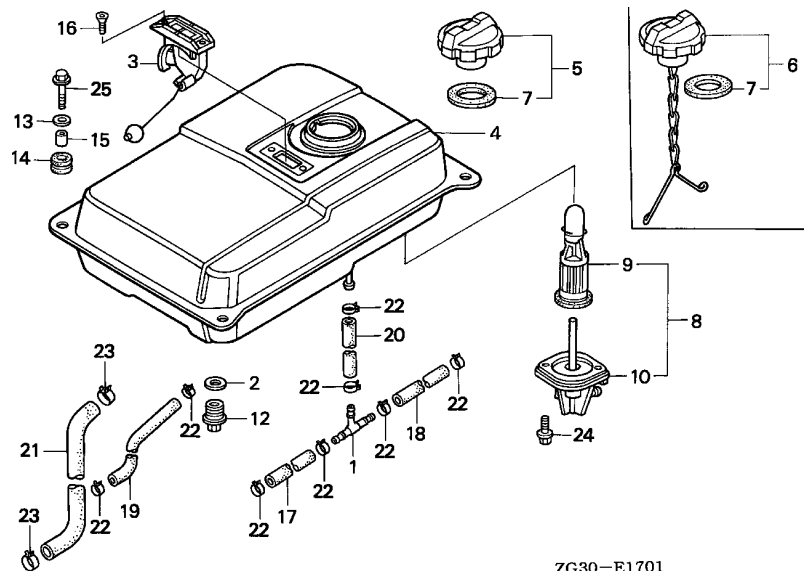




Ref. No.	Part No.	Description	Reqd. QTY		Serial No.	Parts catalogue code
			GD410 (1) (2)	GD411 (1) (2)		
41	95001-80450-40	TUBE, FUEL, 8X450 (95001-80001-60M)	-	(1)	-	(1)
42	95002-40800-08	CLAMP, TUBE (D8)	6	-	-	-
			-	(6)	-	-
			-	-	1000969	LH,LHE,LJ,LJE,LWD,PA,PAA,PH,PX,QA,QAA,QAAE,QAE,QB,QBE,QFE,QH,QHE,QN,QNE,QX,QXE,SB,SBE,SH,SHE,SJ,SJE,SN,SNE,SX,SXE,VA,VAA,VAE,VB,VBB,VBE,VBL,VF,VH,VHE,VN,VNE,VX,VXE
			-	-	1000969	LH,LHE,LJ,LJE,LWD,PA,PAA,PH,PX,QA,QAA,QAAE,QAE,QB,QBE,QH,QHE,QX,QXE,SB,SBE,SH,SHE,SJ,SJE,SX,SXE,VA,VAA,VAE,VB,VBB,VBE,VBL,VH,VHE,VX,VXE
	95002-02080	CLIP, TUBE (B8)	-	-	(6)	-
			-	6	-	-
			-	-	1000970	LTE,LTE1,QHE4,QHQ4,QHX,QHX4,QXE4,SHE4,SXE4,SXQ4,VBX,VBX1,VGB,LH,LHE,LJ,LJE,LWD,PA,PAA,PH,PX,QA,QAA,QAAE,QAE,QB,QBE,QH,QHE,QX,QXE,SB,SBE,SH,SHE,SJ,SJE,SX,SXE,VA,VAA,VAE,VB,VBB,VBE,VBL,VH,VHE,VX,VXE
43	95002-41250-08	CLAMP, TUBE (D12.5)	2	-	-	(6)
			-	-	1000970	LH,LHE,LJ,LJE,LWD,PA,PAA,PH,PX,QA,QAA,QAAE,QAE,QB,QBE,QFE,QH,QHE,QN,QNE,QX,QXE,SB,SBE,SH,SHE,SJ,SJE,SN,SNE,SX,SXE,VA,VAA,VAE,VB,VBB,VBE,VBL,VF,VH,VHE,VN,VNE,VX,VXE
			-	(2)	-	-
			-	-	1000969	LH,LHE,LJ,LJE,LWD,PA,PAA,PH,PX,QA,QAA,QAAE,QAE,QB,QBE,QH,QHE,QX,QXE,SB,SBE,SH,SHE,SJ,SJE,SX,SXE,VA,VAA,VAE,VB,VBB,VBE,VBL,VH,VHE,VX,VXE
			-	-	1000969	LTE,LTE1,QHE4,QHQ4,QHX,QHX4,QXE4,SHE4,SXE4,SXQ4,VBX,VBX1,VGB
	95002-02130	CLIP, TUBE (B12.5)	-	-	2	-
			-	2	-	-
			-	-	1000970	LH,LHE,LJ,LJE,LWD,PA,PAA,PH,PX,QA,QAA,QAAE,QAE,QB,QBE,QH,QHE,QX,QXE,SB,SBE,SH,SHE,SJ,SJE,SX,SXE,VA,VAA,VAE,VB,VBB,VBE,VBL,VH,VHE,VX,VXE
			-	-	(2)	1000970

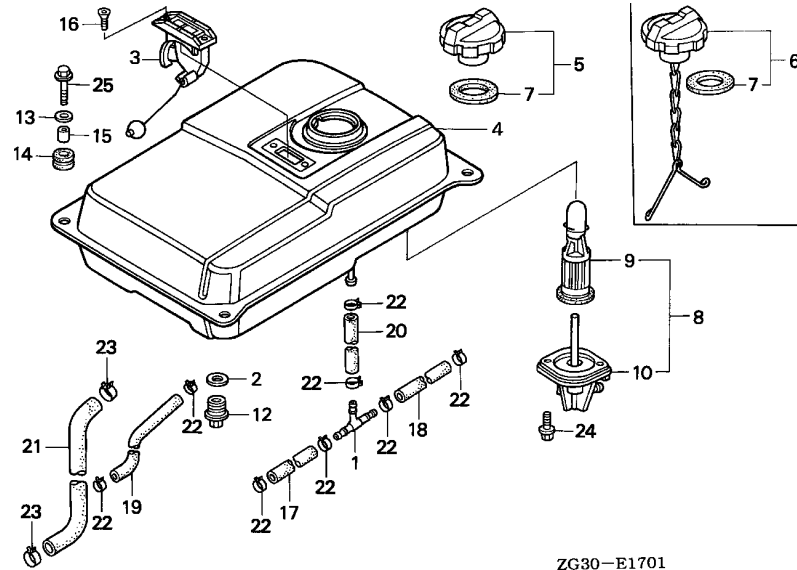


Ref. No.	Part No.	Description	Reqd. QTY				Serial No.	Parts catalogue code
			GD410		GD411			
			(1)	(2)	(1)	(2)		
44	95701-06012-00	BOLT, FLANGE, 6X12	2	-	2	-	LH,LHE,LJ,LJE,LTE,LTE1,LWD,PA,PAA,PH,PX,QA,QAA,QAAE,QAQ,QB,QBE,QFE,QH,QHE,QHE4,QHQ4,QHX,QHX4,QN,QNE,QX,QXE,QXE4,SB,SBE,SH,SHE,SHE4,SJ,SJE,SN,SNE,SX,SXE,SXE4,SXQ4,VA,VAA,VAE,VAE,VB,VBB,VBE,VBL,VBX,VBX1,VF,VGB,VH,VHE,VN,VNE,VX,VXE	
45	95701-06014-00	BOLT, FLANGE, 6X14	-	(2)	-	(2)	LH,LHE,LJ,LJE,LTE,LTE1,LWD,PA,PAA,PH,PX,QA,QAA,QAAE,QAQ,QB,QBE,QFE,QH,QHE,QHE4,QHQ4,QHX,QHX4,QN,QNE,QX,QXE,QXE4,SB,SBE,SH,SHE,SHE4,SJ,SJE,SN,SNE,SX,SXE,SXE4,SXQ4,VA,VAA,VAE,VAE,VBX,VBX1,VF,VGB,VH,VHE,VN,VNE,VX,VXE	
	95701-06022-00	BOLT, FLANGE, 6X22	-	(4)	-	(4)	VB,VBB,VBE,VBL	
			4	-	-	-	VB,VBB,VBE,VBL	
46	95701-08020-00	BOLT, FLANGE, 8X20	2	-	-	-	SIE	
	95701-08022-00	BOLT, FLANGE, 8X22	-	(2)	-	(2)	SIE	
47	95701-08022-00	BOLT, FLANGE, 8X22	4	-	4	-	LH,LHE,LJ,LJE,LTE,LTE1,LWD,PA,PAA,PH,PX,QA,QAA,QAAE,QAQ,QB,QBE,QFE,QH,QHE,QHE4,QHQ4,QHX,QHX4,QN,QNE,QX,QXE,QXE4,SB,SBE,SH,SHE,SHE4,SJ,SJE,SN,SNE,SX,SXE,SXE4,SXQ4,VA,VAA,VAE,VAE,VB,VBB,VBE,VBL,VBX,VBX1,VF,VGB,VH,VHE,VN,VNE,VX,VXE	
48	90658-ZA0-930	CLIP, HIGH TENSION CORD	-	(4)	-	(4)	EGY	



Service item	F.R.T.
METER ASSY., FUEL .....	0.1
JOINT, FUEL .....	0.2
.TUBE, FUEL, 4.5X150	
.TUBE, FUEL, 4.5X200	
.TUBE, FUEL, 4.5X450	
.TUBE, FUEL, 4.5X620	
.TUBE, FUEL, 8X450	
FILTER ASSY., FUEL .....	0.3
.STRAINER COMP.	
.TANK COMP., FUEL	

Ref. No.	Part No.	Description	Reqd. QTY		Serial No.	Parts catalogue code
			GD410 (1)	GD411 (2)		
1	16235-399-000	JOINT, FUEL .....	-	(1)	-	(1)
2	16963-443-901	GASKET .....	-	(1)	-	(1)
3	17505-ZB2-003	METER ASSY., FUEL .....	-	(1)	-	(1)
4	17510-YD6-000	TANK COMP., FUEL .....	-	(1)	-	(1)
5	17620-ZG3-003	CAP COMP., FUEL FILLER .....	-	(1)	-	(1)
6	17620-ZG3-801	CAP COMP., FUEL FILLER .....	-	(1)	-	(1)
7	17631-329-003	PACKING, FUEL FILLER CAP .....	-	(1)	-	(1)
8	17670-ZG3-013	FILTER ASSY., FUEL .....	-	(1)	-	(1)
9	17682-ZG3-003	STRAINER COMP. ....	-	(1)	-	(1)
10	17687-ZG3-013	BODY, STRAINER .....	-	(1)	-	(1)
12	90021-ZG3-003	BOLT, DRAIN .....	-	(1)	-	(1)
13	90506-500-000	WASHER, AIR DUCT .....	-	(4)	-	(4)
14	90852-898-000	RUBBER, CONTROL BOX .....	-	(4)	-	(4)
15	91552-898-000	COLLAR, CONTROL BOX .....	-	(4)	-	(4)
16	93600-05012-0A	SCREW, FLAT, 5X12 .....	-	(2)	-	(2)
17	95001-45150-40	TUBE, FUEL, 4.5X150 (95001-45001-60M)	-	(1)	-	(1)
18	95001-45200-40	TUBE, FUEL, 4.5X200 (95001-45001-60M)	-	(1)	-	(1)
19	95001-45450-40	TUBE, FUEL, 4.5X450 (95001-45001-60M)	-	(1)	-	(1)
20	95001-45620-40	TUBE, FUEL, 4.5X620 (95001-45001-60M)	-	(1)	-	(1)
21	95001-80450-40	TUBE, FUEL, 8X450 (95001-80001-60M)	-	(1)	-	(1)



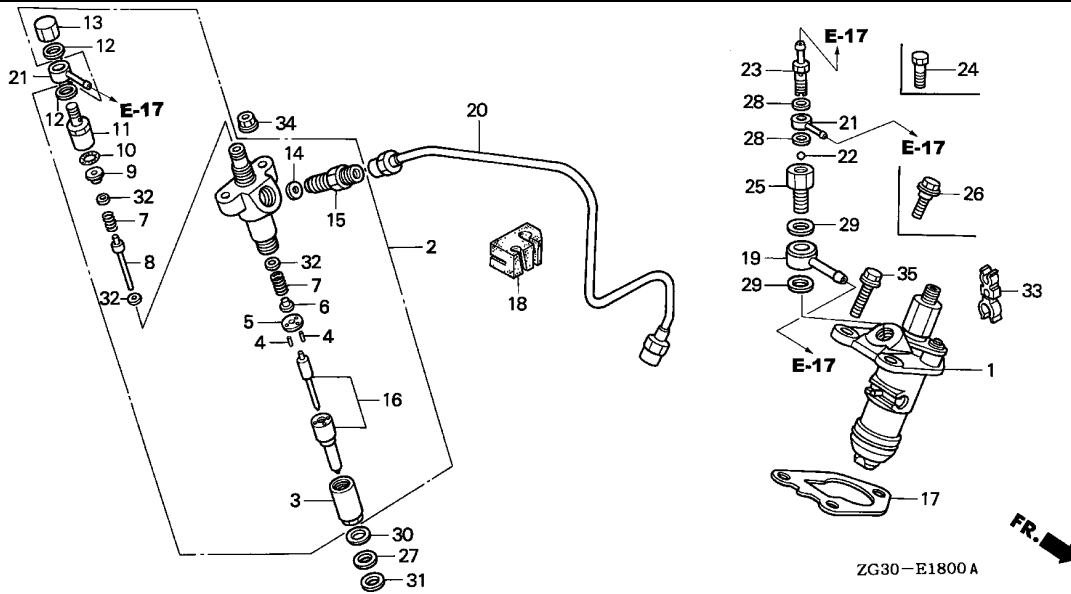
ZG30-E1701

Ref. No.	Part No.	Description	Reqd. QTY		Serial No.	Parts catalogue code
			GD410 (1)	GD411 (2)		
22	95002-40800-08	CLAMP, TUBE (D8)	-	(8)	-	-
	95002-02080	CLIP, TUBE (B8)	-	-	(8)	1000969
23	95002-41250-08	CLAMP, TUBE (D12.5)	-	(2)	-	-
	95002-02130	CLIP, TUBE (B12.5)	-	-	(2)	1001270
24	95701-06012-00	BOLT, FLANGE, 6X12	-	(2)	-	(2)
25	95701-06020-00	BOLT, FLANGE, 6X20	-	(4)	-	(4)



E-18

FUEL INJECTION PUMP



Service item	F.R.T.
NOZZLE & HOLDER ASSY. ....	0.2
PIPE, FUEL .....	0.4
NOZZLE .....	0.5
(INC. RELATIVE PART)	
GASKET, FUEL INJECTION PUMP ..	0.6
.PUMP ASSY., FUEL INJECTION	

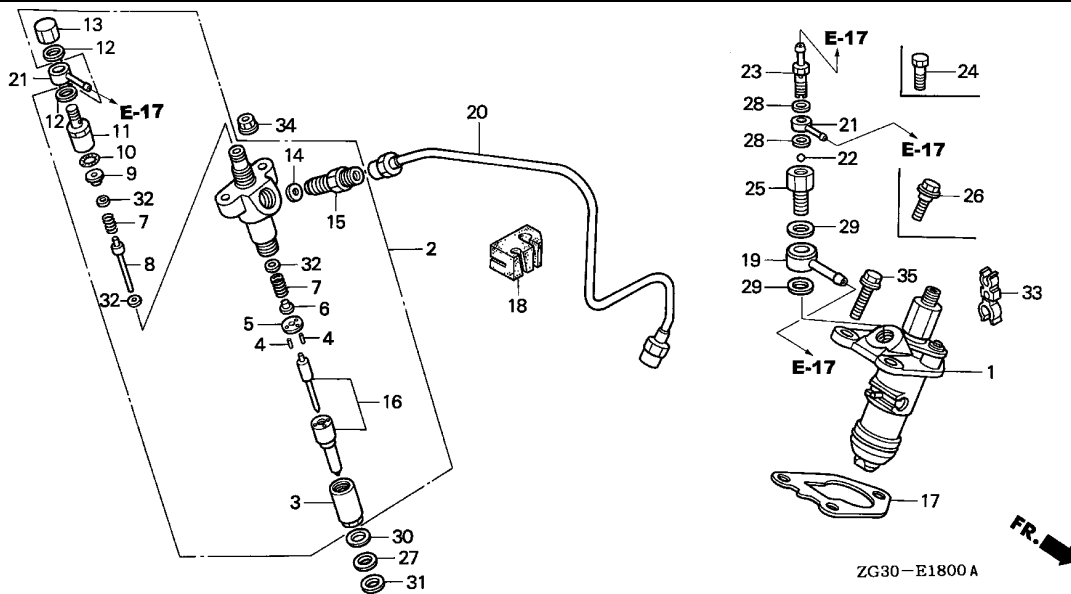
Ref. No.	Part No.	Description	Reqd. QTY				Serial No.	Parts catalogue code
			GD410		GD411			
			(1)	(2)	(1)	(2)		
1	16300-ZG3-003	PUMP ASSY., FUEL INJECTION ..	1	-	-	-	EGY,LJ,LJE,LWD,SIE,SJ,SJE	
	16300-ZJ7-003	.....	-	-	1	-	EGY,LH,LHE,LJ,LJE,LTE,LTE1,LWD,PA,PAA,PH,PX,QA,QAA,QAAE,QAE,QH,QHE,QHE4,QHQ4,QHX,QHX4,QX,QXE,QXE4,SH,SHE,SHE4,SIE,SJ,SJE,SX,SXE,SXE4,SXQ4,VA,VAA,VAAE,VAE,VH,VHE,VX,VXE	
	16300-ZG3-003	.....	1	-	-	-	LH,LHE,PH,PX,QFE,QH,QHE,QX,QXE,SH,SHE,SX,SXE,VF,VH,VHE,VX,VXE	
	16300-ZG3-931	.....	1	-	-	1009310	QA,QAE	
	16300-ZG3-801	.....	1	-	-	1009311	PA,PAA,QAA,QAAE,VA,VAA,VAAE,VAE	
	16300-ZG3-881	PUMP ASSY., FUEL INJECTION (N3)	1	-	-	-	QA,QAE	
	16300-ZJ7-881	PUMP ASSY., FUEL INJECTION (EEC)	1	-	-	-	QN,QNE,SN,SNE,VN,VNE	
2	16410-ZG3-013	NOZZLE & HOLDER ASSY. ....	1	-	-	-	QB,QBE,SB,SBE,VB,VBB,VBE,VBL	
	16410-ZJ7-003	.....	-	1	-	-	QB,QBE,SB,SBE,VB,VBB,VBE,VBL,VBX,VBX1,VGB	
	16410-ZG3-801	NOZZLE & HOLDER ASSY. (3 HOLE)	1	-	-	-	EGY,LH,LHE,LJ,LJE,LWD,PA,PAA,PH,PX,QA,QAA,QAAE,QAE,QFE,QH,QHE,QX,QXE,SH,SHE,SIE,SJ,SJE,SX,SXE,VA,VAA,VAAE,VAE,VF,VH,VHE,VX,VXE	
	16410-ZG3-801	NOZZLE & HOLDER ASSY. (3 HOLE)	-	-	-	1	EGY,LH,LHE,LJ,LJE,LTE,LTE1,LWD,PA,PAA,PH,PX,QA,QAA,QAAE,QAE,QH,QHE,QHE4,QHQ4,QHX,QHX4,QX,QXE,QXE4,SH,SHE,SHE4,SIE,SJ,SJE,SX,SXE,SXE4,SXQ4,VA,VAA,VAAE,VAE,VH,VHE,VX,VXE	
3	16413-ZG3-003	NUT, RETAINING .....	1	1	1	1	QB,QBE,QN,QNE,SB,SBE,SN,SNE,VB,VBB,VBE,VBL,VBX,VBX1,VGB,VN,VNE	
4	16414-ZG3-003	PIN (1.78X9.3) .....	1	1	1	1		
5	16415-ZG3-003	SPACER .....	2	2	2	2		
6	16416-ZG3-003	SEAT, SPRING (A) .....	1	1	1	1		

Ref. No.	Part No.	Description	Reqd. QTY				Serial No.	Parts catalogue code
			GD410		GD411			
			(1)	(2)	(1)	(2)		
7	16417-ZG3-003	SPRING, NOZZLE .....	2	2	2	2		
8	16418-ZG3-003	ROD, PUSH .....	1	1	1	1		
9	16419-ZG3-003	SEAT, SPRING (B) .....	1	1	1	1		
10	16421-ZG3-003	O-RING .....	1	1	1	1		
11	16422-ZG3-003	NUT, CAP .....	1	1	1	1		
12	16423-ZG3-003	GASKET A .....	2	2	2	2		
13	16424-ZG3-003	NUT .....	1	1	1	1		
14	16425-ZG3-003	GASKET B .....	1	1	1	1		
15	16426-ZG3-003	CONNECTOR, IN. ....	1	1	1	1		
16	16431-ZG3-003	NOZZLE .....	1	-	-	-	EGY, LH, LHE, LJ, LJE, LWD, PA, PAA, PH, PX, QA, QAA, QAAE, QAE, QFE, QH, QHE, QX, QXE, SH, SHE, SIE, SJ, SJE, SX, SXE, VA, VAA, VAAE, VAE, VF, VH, VHE, VX, VXE	
	16431-ZJ7-003	.....	-	1	-	-	EGY, LH, LHE, LJ, LJE, LTE, LTE1, LWD, PA, PAA, PH, PX, QA, QAA, QAAE, QAE, QH, QHE, QHE4, QHQ4, QHX, QHX4, QX, QXE, QXE4, SH, SHE, SHE4, SIE, SJ, SJE, SX, SXE, SXE4, SXQ4, VA, VAA, VAAE, VAE, VH, VHE, VX, VXE	
	16431-ZG3-801	NOZZLE (3 HOLE) .....	1	-	1	-	QB, QBE, QN, QNE, SB, SBE, SN, SNE, VB, VBB, VBE, VBL, VBX, VBX1, VGB, VN, VNE	
17	16441-ZG3-000	GASKET, FUEL INJECTION PUMP (C) (0.2)	1	-	1	-	LH, LHE, PA, PAA, PH, PX, QA, QAA, QAAE, QAE, QB, QBE, QFE, QH, QHE, QHE4, QHQ4, QHX, QHX4, QN, QNE, QX, QXE, QXE4, SB, SBE, SH, SHE, SHE4, SN, SNE, SX, SXE, SXE4, SXQ4, VA, VAA, VAAE, VAE, VB, VBB, VBE, VBL, VBX, VBX1, VF, VGB, VH, VHE, VN, VNE, VX, VXE	
	16442-ZG3-000	GASKET, FUEL INJECTION PUMP (D) (0.3)	(1)	-	(1)	-	EGY, LJ, LJE, LTE, LTE1, LWD, SIE, SJ, SJE	
	16443-ZG3-000	GASKET, FUEL INJECTION PUMP (E) (0.4)	-	(1)	-	(1)	LH, LHE, PA, PAA, PH, PX, QA, QAA, QAAE, QAE, QB, QBE, QFE, QH, QHE, QHE4, QHQ4, QHX, QHX4, QN, QNE, QX, QXE, QXE4, SB, SBE, SH, SHE, SHE4, SN, SNE, SX, SXE, SXE4, SXQ4, VA, VAA, VAAE, VAE, VB, VBB, VBE, VBL, VBX, VBX1, VF, VGB, VH, VHE, VN, VNE, VX, VXE	
	16444-ZG3-000	GASKET, FUEL INJECTION PUMP (A) (0.1)	(1)	-	(1)	-	EGY, LJ, LJE, LTE, LTE1, LWD, SIE, SJ, SJE	
	16445-ZG3-000	GASKET, FUEL INJECTION PUMP (B) (0.15)	-	(1)	-	(1)	LH, LHE, PA, PAA, PH, PX, QA, QAA, QAAE, QAE, QB, QBE, QFE, QH, QHE, QHE4, QHQ4, QHX, QHX4, QN, QNE, QX, QXE, QXE4, SB, SBE, SH, SHE, SHE4, SN, SNE, SX, SXE, SXE4, SXQ4, VA, VAA, VAAE, VAE, VB, VBB, VBE, VBL, VBX, VBX1, VF, VGB, VH, VHE, VN, VNE, VX, VXE	
			(1)	-	(1)	-	EGY, LJ, LJE, LTE, LTE1, LWD, SIE, SJ, SJE	



E-18

FUEL INJECTION PUMP

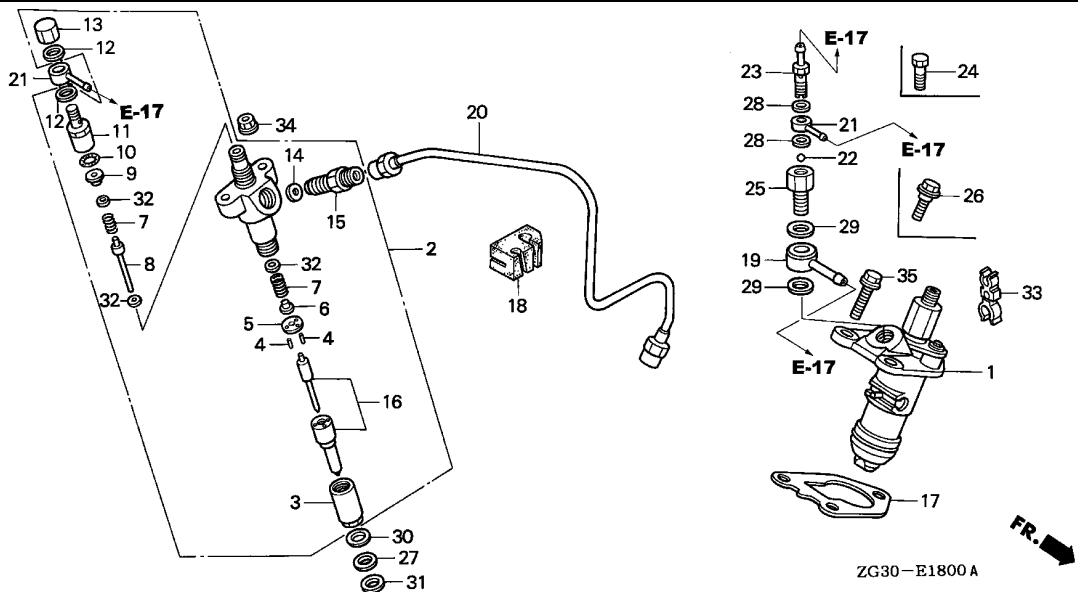


Ref. No.	Part No.	Description	Reqd. QTY				Serial No.	Parts catalogue code
			GD410 (1)	GD410 (2)	GD411 (1)	GD411 (2)		
17)	16451-ZG3-000	GASKET, FUEL INJECTION PUMP (F) (0.5)	1	-	1	-	LH,LHE,PA,PAA,PH,PX,QA,QAA,QAAE,QAE,QB,QBE,QFE,QH,QHE,QHE4,QHQ4,QHX,QHX4,QN,QNE,QX,QXE,QXE4,SB,SBE,SH,SHE,SHE4,SN,SNE,SX,SXE,SXE4,SXQ4,VA,VAA,VAAE,VAE,VB,VBB,VBE,VBL,VBX,VBX1,VF,VGB,VH,VHE,VN,VNE,VX,VXE	
			(1)	-	(1)	-	EGY,LJ,LJE,LTE,LTE1,LWD,SIE,SJ,SJE	
	16452-ZG3-000	GASKET, FUEL INJECTION PUMP (G) (0.6)	1	-	1	-	LH,LHE,PA,PAA,PH,PX,QA,QAA,QAAE,QAE,QB,QBE,QFE,QH,QHE,QHE4,QHQ4,QHX,QHX4,QN,QNE,QX,QXE,QXE4,SB,SBE,SH,SHE,SHE4,SN,SNE,SX,SXE,SXE4,SXQ4,VA,VAA,VAAE,VAE,VB,VBB,VBE,VBL,VBX,VBX1,VF,VGB,VH,VHE,VN,VNE,VX,VXE	
			(1)	-	(1)	-	EGY,LJ,LJE,LTE,LTE1,LWD,SIE,SJ,SJE	
	16447-ZG3-000	RUBBER, FUEL TUBE CLAMP	1	1	1	1		
19	16449-ZG3-000	JOINT, FUEL	1	-	1	-	LH,LHE,LJ,LJE,LTE,LTE1,LWD,PA,PAA,PH,PX,QA,QAA,QAAE,QAE,QB,QBE,QFE,QH,QHE,QHE4,QHQ4,QHX,QHX4,QN,QNE,QX,QXE,QXE4,SB,SBE,SH,SHE,SHE4,SIE,SJ,SJE,SN,SNE,SX,SXE,SXE4,SXQ4,VA,VAA,VAAE,VAE,VB,VBB,VBE,VBL,VBX,VBX1,VF,VGB,VH,VHE,VN,VNE,VX,VXE	
	16449-ZG3-E00	.....	-	1	-	1	EGY	
20	16455-ZG3-000	PIPE, FUEL	1	1	1	1		
21	16647-ZG3-000	JOINT, AIR BREATHER (B)	2	2	2	2		

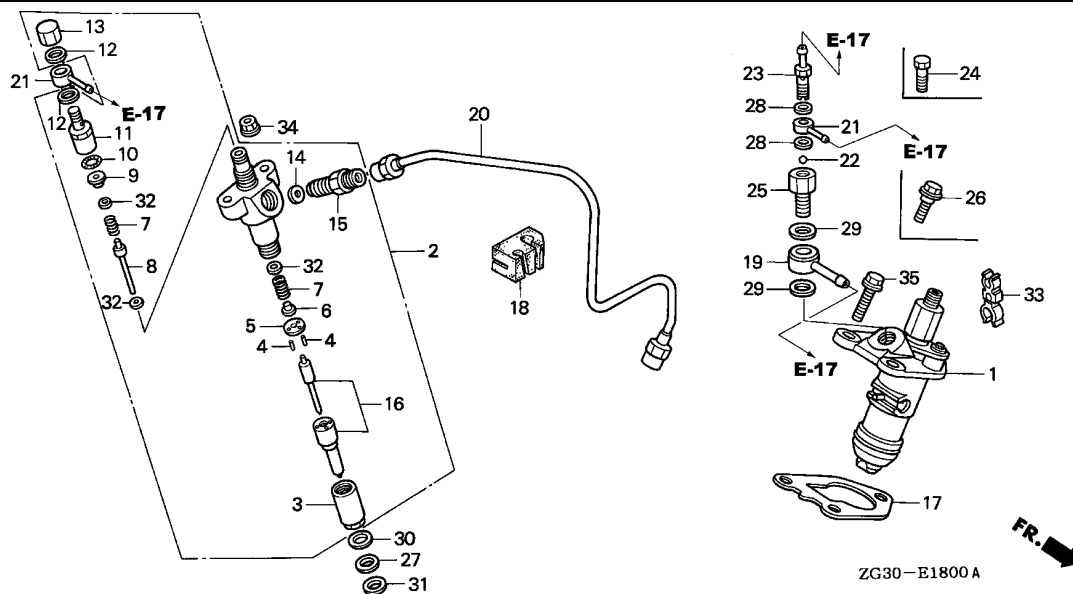
Ref. No.	Part No.	Description	Reqd. QTY				Serial No.	Parts catalogue code
			GD410		GD411			
			(1)	(2)	(1)	(2)		
22	16648-ZG3-000	BALL, CHECK .....	1	-	1	-	QFE,QN,QNE,SB,SN,SNE,VF,VN,VNE EGY,LH,LHE,LJ,LJE,LWD,PA,PAA,PH,PX,QA,QAA,QAAE,QAE,QB,QBE,QH QHE,QX,QXE,SBE,SH,SHE,SJ,SJE,SX,SXE,VA,VAA,VA AE,VAE,VB,VBB,VBE VBL,VH,VHE,VX,VXE	
			-	1	-	-		
			-	-	1	-	1016239 EGY,LH,LHE,LJ,LJE,LTE,LWD,PA,PAA,PH,PX,QA,QAA,QAAE,QAE,QB,QBE QH,QHE,QHE4,QHQ4,QHX,QHX4,QX,QXE,QXE4,SBE,SH,SHE,SHE4,SJ,SJE SX,SXE,SXE4,SXQ4,VA,VAA,VA AE,VAE,VB,VBB,VBE,VBL,VBX,VBX1,VGB VH,VHE,VX,VXE	
	96211-06000	BALL, STEEL, #6 (3/16) .....	-	-	-	1	1016239 LTE1	
			-	-	1	-	1016240 EGY,LH,LHE,LJ,LJE,LTE,LWD,PA,PAA,PH,PX,QA,QAA,QAAE,QAE,QB,QBE QH,QHE,QHE4,QHQ4,QHX,QHX4,QX,QXE,QXE4,SBE,SH,SHE,SHE4,SJ,SJE SX,SXE,SXE4,SXQ4,VA,VAA,VA AE,VAE,VB,VBB,VBE,VBL,VBX,VBX1,VGB VH,VHE,VX,VXE	
23	90025-ZG3-000	BOLT, AIR BREATHER, 8X20 ....	1	-	1	-	1016240 LH,LHE,LJ,LJE,LTE,LTE1,LWD,PA,PAA,PH,PX,QA,QAA,QAAE,QAE,QB,QBE QFE,QH,QHE,QHE4,QHQ4,QHX,QHX4,QN,QNE,QX,QXE,QXE4,SB,SBE,SH,SHE SHE4,SJ,SJE,SN,SNE,SX,SXE,SXE4,SXQ4,VA,VAA,VA AE,VAE,VB,VBB,VBE VBL,VBX,VBX1,VF,VGB,VH,VHE,VN,VNE,VX,VXE	
24	90025-ZG3-900	BOLT, AIR BREATHER, 8X20 ....	-	1	-	1		
25	90027-ZG3-000	BOLT, FUEL JOINT, 12X25.5 ...	1	1	1	1	EGY,SIE	
26	90161-744-000	BOLT, ROTARY TRANSMISSION ...	2	2	-	-	1013342 LJ,LJE,L1,SIE 1014151 E1,LH,LHE,P1,Q1,SJ,SJE,S1,V1 EGY,LWD,VBL 1013442 QB,QBE,SB,SBE,VB,VBE 1013492 PA,PAA,PH,PX,QA,QAA,QAAE,QAE,QFE,QH,QHE,QX,QXE,SH,SHE,SX,SXE VA,VAA,VA AE,VAE,VBB,VF,VH,VHE,VX,VXE	
27	90402-ZG3-880	WASHER, PLAIN, 7MM .....	1	-	-	-	EGY,LWD,VBL 1009286 VBB 1009473 QB,QBE,SB,SBE,VB,VBE 1011688 LH,LHE,LJ,LJE,PA,PAA,PH,PX,QA,QAA,QAAE,QAE,QFE,QH,QHE,QX,QXE SH,SHE,SJ,SJE,SX,SXE,VA,VAA,VA AE,VAE,VF,VH,VHE,VX,VXE	
			1	-	-	-	1011691 SIE	
			-	1	-	-	1011688	
28	90403-ZG3-000	WASHER, 8MM .....	2	2	2	2		
29	90418-ZG3-000	WASHER, FUEL JOINT .....	2	2	2	2		
30	90451-ZG3-000	GASKET A, NOZZLE (0.8) .....	1	1	-	-	1011688 E1,LH,LHE,PA,PAA,PH,PX,P1,QA,QAA,QAAE,QAE,QFE,QH,QHE,QX,QXE,Q1 SH,SHE,SJ,SJE,SX,SXE,S1,VA,VAA,VA AE,VAE,VF,VH,VHE,VX,VXE,V1	
			1	1	-	-	1012166 LJ,LJE,L1 EGY,LWD,VBL	
			1	-	-	-	1009286 VBB	
			1	-	-	-	1009473 QB,QBE,SB,SBE,VB,VBE	
			1	-	-	-	1011691 SIE	
	90452-ZG3-000	GASKET B, NOZZLE (1.0) .....	1	1	-	-	1011688 E1,LH,LHE,PA,PAA,PH,PX,P1,QA,QAA,QAAE,QAE,QFE,QH,QHE,QX,QXE,Q1 SH,SHE,SJ,SJE,SX,SXE,S1,VA,VAA,VA AE,VAE,VF,VH,VHE,VX,VXE,V1	
			1	1	-	-	1012166 LJ,LJE,L1 EGY,LWD,VBL	
			1	-	-	-	1009286 VBB	
			1	-	-	-	1009473 QB,QBE,SB,SBE,VB,VBE	
			1	-	-	-	1011691 SIE	
			-	-	1	1		
	90453-ZG3-000	GASKET C, NOZZLE (1.2) .....	1	1	1	1		





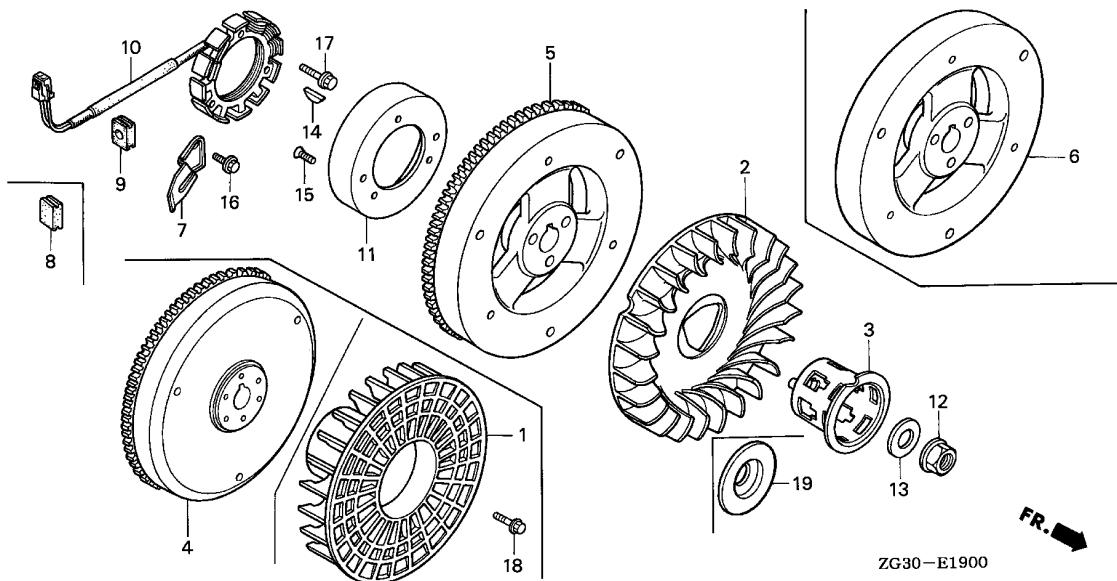


Ref. No.	Part No.	Description	Reqd. QTY				Serial No.	Parts catalogue code
			GD410		GD411			
			(1)	(2)	(1)	(2)		
30)	90454-ZG3-000	GASKET D, NOZZLE (1.4) .....	1	1	-	-	1011688 ----- E1,LH,LHE,PA,PAA,PH,PX,P1,QA,QAA,QAAE,QAE,QFE,QH,QHE,QX,QXE,Q1,SH,SHE,SJ,SJE,SX,SXE,S1,VA,VAA,VAE,VAE,VAE,VF,VH,VHE,VX,VXE,V1	
			1	1	-	-	1012166 ----- LJ,LJE,L1	
			1	-	-	-	EGY,LWD,VBL	
			1	-	-	-	1001691 ----- SIE	
			1	-	-	-	1009286 ----- VBB	
			1	-	-	-	1009473 ----- QB,QBE,SB,SBE,VB,VBE	
			-	-	1	1		
31	90455-ZG3-880	GASKET, SPECIAL, 7MM .....	1	1	-	-	1011688 ----- E1,PA,PAA,PH,PX,P1,QA,QAA,QAAE,QAE,QFE,QH,QHE,QX,QXE,Q1,SH,SHE,SJ,SJE,SX,SXE,S1,VA,VAA,VAE,VAE,VAE,VF,VH,VHE,VX,VXE,V1	
			1	1	-	-	1012166 ----- LJ,LJE,L1	
			1	-	-	-	EGY,LWD,VBL	
			1	-	-	-	1009286 ----- VBB	
			1	-	-	-	1009473 ----- QB,QBE,SB,SBE,VB,VBE	
			1	-	-	-	1011691 ----- SIE	
			1	-	-	-	1012019 ----- LH,LHE	
			-	-	1	1		
32	90460-ZG3-003	SHIM A (0.50) .....	N	N	N	N		
	90461-ZG3-003	SHIM B (0.51) .....	N	N	N	N		
	90462-ZG3-003	SHIM C (0.52) .....	N	N	N	N		
	90463-ZG3-003	SHIM D (0.53) .....	N	N	N	N		
	90464-ZG3-003	SHIM E (0.54) .....	N	N	N	N		
	90465-ZG3-003	SHIM F (0.55) .....	N	N	N	N		
	90466-ZG3-003	SHIM G (0.56) .....	N	N	N	N		
	90467-ZG3-003	SHIM H (0.57) .....	N	N	N	N		
	90468-ZG3-003	SHIM I (0.58) .....	N	N	N	N		
	90469-ZG3-003	SHIM J (0.59) .....	N	N	N	N		
	90470-ZG3-003	SHIM K (0.60) .....	N	N	N	N		



Ref. No.	Part No.	Description	Reqd. QTY		Serial No.	Parts catalogue code
			GD410 (1)	GD410 (2)		
32)	90471-ZG3-003	SHIM L (0.70)	N	N	N	N
	90472-ZG3-003	SHIM M (0.80)	N	N	N	N
	90473-ZG3-003	SHIM N (0.90)	N	N	N	N
33	90655-MB1-920	CLIP, WIRE	1	-	-	1018826 ----- EGY
			-	-	1	----- EGY
34	94050-06000	NUT, FLANGE, 6MM	2	2	2	2
35	95701-08025-00	BOLT, FLANGE, 8X25	3	3	-	-
			3	3	-	-
			3	-	-	1013341 LJ,LJE,L1,SIE
			3	-	-	1014150 E1,LH,LHE,P1,Q1,SJ,SJE,S1,V1
			3	-	-	QN,QNE,SN,SNE,VN,VNE
			3	-	-	1013441 QB,QBE,SB,SBE,VB,VBE
			3	-	-	1013491 PA,PAA,PH,PX,QA,QAA,QAAE,QAE,QFE,QH,QHE,QX,QXE,SH,SHE,SX,SXE
						VA,VAA,VAAE,VAE,VBB,VF,VH,VHE,VX,VXE
			1	1	-	1013342 ----- LJ,LJE,L1,SIE
			1	1	-	1014151 ----- E1,LH,LHE,P1,Q1,SJ,SJE,S1,V1
			1	-	-	EGY,LWD,VBL
			1	-	-	1013442 ----- QB,QBE,SB,SBE,VB,VBE
			1	-	-	1013492 ----- PA,PAA,PH,PX,QA,QAA,QAAE,QAE,QFE,QH,QHE,QX,QXE,SH,SHE,SX,SXE
						VA,VAA,VAAE,VAE,VBB,VF,VH,VHE,VX,VXE
			-	-	1	1



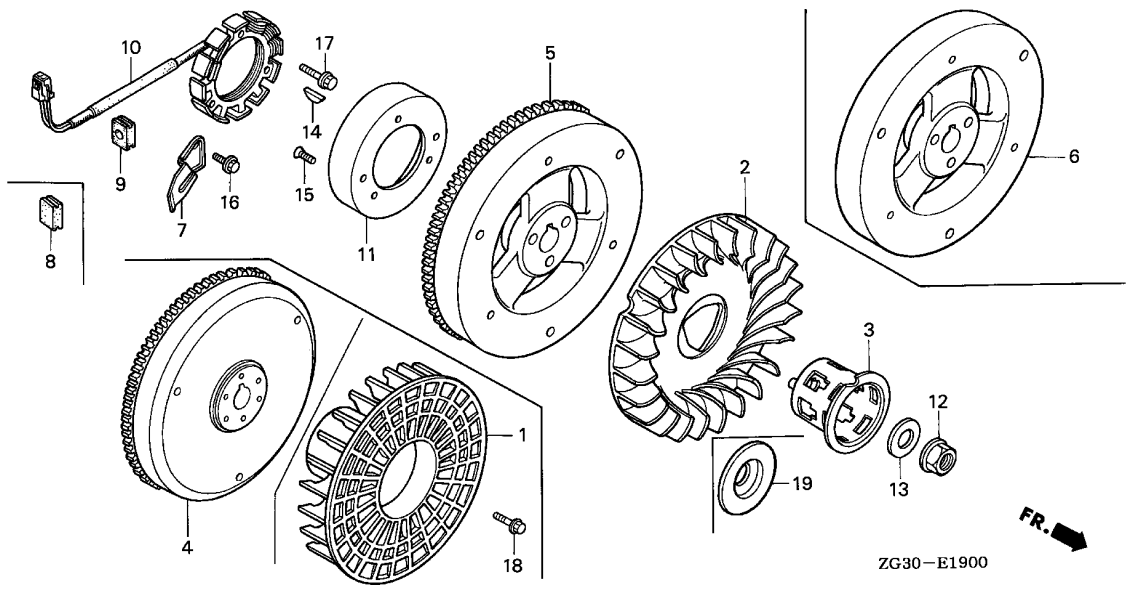


Service item	F.R.T.
FAN, COOLING .....	0.7
.FLYWHEEL	
.FLYWHEEL COMP.	
.PULLEY, STARTER	
ROTOR COMP. ....	0.8
.STATOR COMP.	

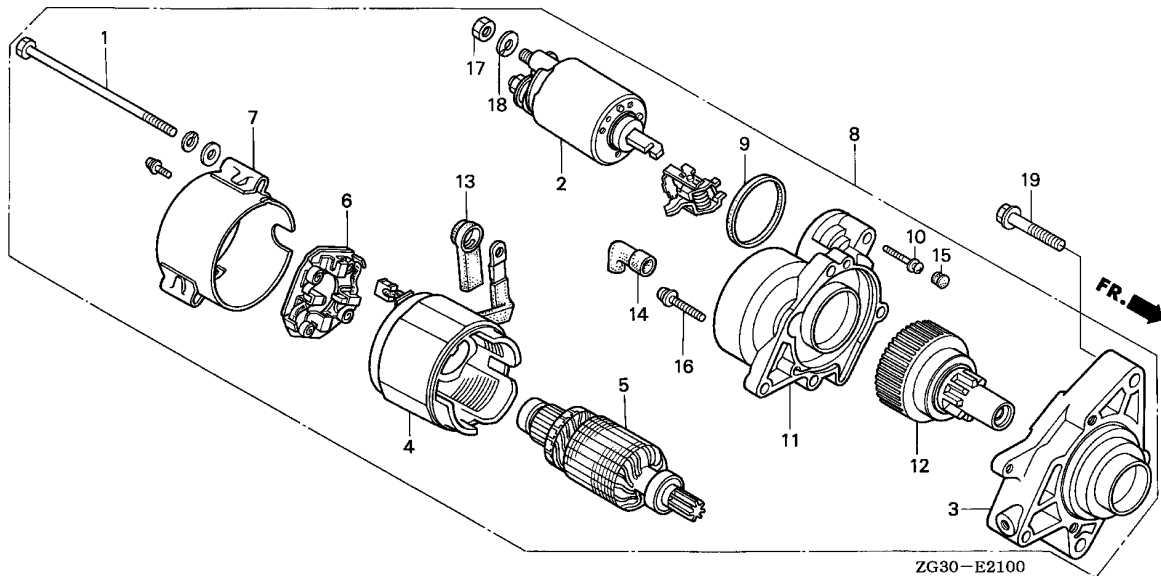
Ref. No.	Part No.	Description	Reqd. QTY				Serial No.	Parts catalogue code
			GD410		GD411			
			(1)	(2)	(1)	(2)		
1	19511-ZG3-E00	FAN, COOLING .....	1	-	1	-	EGY	
2	19511-ZG3-000	FAN, COOLING .....	1	1	1	1	E1, PA, PAA, PH, PX, P1, QA, QAA, QAAE, QAE, QB, QBE, QFE, QH, QHE, QHE4, QHQ4, QHX, QHX4, QN, QNE, QX, QXE, QXE4, Q1, SB, SBE, SH, SHE, SHE4, SIE, SJ, SJE, SN, SNE, SX, SXE, SXE4, SXQ4, S1, VA, VAA, VAAE, VAE, VB, VBB, VBE, VBL, VBX, VBX1, VF, VGB, VH, VHE, VN, VNE, VX, VXE, V1	
	19511-ZG3-610	FAN, COOLING (L-TYPE) .....	1	1	1	1	LH, LHE, LJ, LJE, LTE, LTE1, LWD, L1	
3	28451-ZG3-000	PULLEY, STARTER .....	1	-	1	-	PH, PX, QA, QAE, QFE, QH, QHE, QN, QNE, QX, QXE, SH, SHE, SN, SNE, SX, SXE, VBB, VF, VH, VHE, VN, VNE, VX, VXE	
			1	-	-	-	QB, QBE, SB, SBE, VB, VBE, VBL	
			-	1	1	-	E1, PA, PAA, P1, QAA, QAAE, Q1, S1, VA, VAA, VAAE, VAE, V1	
			-	-	1	-	1002242 VGB	
			-	-	1	-	1002335 SBE, VB, VBE, VBX	
			-	-	1	-	1003159 QB, QBE, SB, VBL	
	28451-ZG3-610	PULLEY, STARTER (L-TYPE) ....	1	1	-	-	LH, LHE, LJ, LJE, LWD, L1	
			-	-	1	1	1002335 LH, LHE, LJ, LJE, LWD, L1	
	28451-ZG3-004	PULLEY, STARTER .....	1	1	1	1	E1, PA, PAA, PH, PX, P1, QA, QAA, QAAE, QAE, QFE, QH, QHE, QHE4, QHQ4, QHX, QHX4, QX, QXE, QXE4, Q1, SH, SHE, SHE4, SIE, SJ, SJE, SX, SXE, SXE4, SXQ4, S1, VA, VAA, VAAE, VAE, VBB, VBX1, VF, VH, VHE, VX, VXE, V1	
			1	-	-	-	QB, QBE, SB, SBE, VB, VBE, VBL	
			-	-	1	-	1002243 VGB	
			-	-	1	-	1002336 SBE, VB, VBE, VBX	
			-	-	1	-	1003160 QB, QBE, SB, VBL	
	28451-ZG3-612	PULLEY, STARTER (L-TYPE) ....	-	-	1	1	1002336 LH, LHE, LJ, LJE, LWD, L1	
4	31100-ZG3-E00	FLYWHEEL COMP. ....	1	-	-	-	EGY	
	31100-ZJ7-E00	.....	-	-	1	-	EGY	
5	31100-ZG3-800	FLYWHEEL COMP. (SEL) .....	1	(1)	-	-	1001551 P1, QAE, QFE, QHE, QXE, Q1, SHE, SJE, SXE, S1, VHE, VXE, V1	
	31100-ZG3-801	.....	1	(1)	-	-	E1, QAAE, QNE, SNE, VAAE, VAE, VNE	
			1	(1)	-	-	1001552 P1, QAE, QFE, QHE, QXE, Q1, SHE, SJE, SXE, S1, VHE, VXE, V1	
	31100-ZG3-830	FLYWHEEL COMP. (L-TYPE/SEL) -	1	(1)	-	-	LHE, LJE, LWD, L1	

Ref. No.	Part No.	Description	Reqd. QTY		Serial No.	Parts catalogue code
			GD410 (1) (2)	GD411 (1) (2)		
(5)	31100-ZG3-900	FLYWHEEL COMP. (SEL) .....	1	-	-	SIE
	31100-ZJ7-800	FLYWHEEL COMP. (SELF STARTER)	-	-	1 (1)	E1,P1,Q1,SJE,S1,V1
	31100-ZJ7-830	FLYWHEEL COMP. (L-SELF STARTER)	-	-	1 (1)	QHE,QHE4,QXE,QXE4,SHE,SHE4,SXE,SXE4,VHE,VXE
	31100-ZJ7-900	FLYWHEEL COMP. ....	-	-	1	LHE,LJE,LTE,LTE1,LWD,L1
	31100-ZG3-890	FLYWHEEL COMP. (N3-SEL) .....	1	-	-	SIE
	31100-ZJ7-890	FLYWHEEL COMP. (SEL STARTER)	-	-	1	QBE,SBE,VBE,VBL
	31100-ZJ7-940	FLYWHEEL COMP. (SELF STARTER)	-	-	1	QBE,SBE,VBE,VBL
			-	-	1	QAAE,QAE,VAAE,VAE
6	31101-ZG3-000	FLYWHEEL .....	1	(1)	-	E1,PA,PAA,PH,PX,P1,QAA,QH,QN,QX,Q1,SH,SJ,SN,SX,S1,VA,VAA,VF,VH, VN,VX,V1
			1	-	-	1009310 QA
	31101-ZG3-610	FLYWHEEL (L-TYPE) .....	1	(1)	-	LH,LJ,L1
	31101-ZJ7-610	.....	-	-	1 (1)	LH,LJ,L1
	31101-ZJ7-000	FLYWHEEL .....	-	-	1 (1)	E1,PH,PX,P1,QH,QHQ4,QHX,QHX4,QX,Q1,SH,SJ,SX, SXQ4,S1,VH,VX,V1
	31101-ZG3-880	FLYWHEEL (N3) .....	1	-	-	QB,SB,VB,VBB
	31101-ZG3-930	FLYWHEEL (USA) .....	1	-	-	1009311 QA
	31101-ZJ7-880	FLYWHEEL (EEC) .....	-	-	1	QB,SB,VB,VBB,VBX,VBX1,VGB
	31101-ZJ7-930	FLYWHEEL(USA) .....	-	-	1	PA,PAA,QA,QAA,VA,VAE
7	31511-ZG3-800	CLAMPER, CORD .....	1	-	1	EGY,LHE,LJE,LTE,LTE1,LWD,QAAE,QAE,QBE,QFE,QHE,QHE4,QNE,QXE QXE4,SBE,SHE,SHE4,SIE,SJE,SNE,SXE,SXE4,VAAE,VAE,VBE,VHE,VNE VXE
			-	(1)	-	(1)
8	31512-ZE8-000	GROMMET, CORD .....	1	-	1	LH,LJ,PA,PAA,PH,PX,QA,QAA,QB,QH,QHQ4,QHX,QHX4,QN,QX,SB,SH,SJ SN,SX, SXQ4,VA,VAA,VB,VBB,VBL,VBX,VBX1,VF,VGB,VH,VN,VX
			-	(1)	-	(1)
9	31512-ZG3-000	GROMMET, CORD .....	1	-	1	EGY,LHE,LJE,LTE,LTE1,LWD,QAAE,QAE,QBE,QFE,QHE,QHE4,QNE,QXE QXE4,SBE,SHE,SHE4,SIE,SJE,SNE,SXE,SXE4,VAAE,VAE,VBE,VHE,VNE VXE
			-	(1)	-	(1)
10	31601-ZG3-000	STATOR COMP. (10A,1.7A) .....	1	-	1	EGY
	31601-ZG3-611	STATOR COMP. (10A) .....	-	(1)	1	L1,PH,PX,P1,QH,QX,Q1,SH,SX,S1,VH,VX,V1
			-	-	-	(1)
	31601-ZG3-801	STATOR COMP. (1.7A) .....	1	-	1	LHE,LJE,LWD,QAAE,QAE,QBE,QFE,QHE,QHE4,QNE,QXE,QXE4,SBE,SHE SHE4,SJE,SNE,SXE,SXE4,VAAE,VAE,VBE,VHE,VNE,VXE
			-	(1)	-	(1)
			-	-	1	1018349 LTE
	31120-ZG3-901	STATOR COMP. (15A) .....	1	-	1	SIE
			-	(1)	1	LTE1,PH,PX,P1,QH,QX,Q1,SH,SX,S1,VH,VX,V1
			-	-	1	1018350 LTE
			-	-	-	(1)
11	31610-ZG3-E01	ROTOR COMP. (4MAGNET) .....	1	(1)	1	EGY,L1,P1,Q1,S1,V1
			-	-	1	PH,PX,QH,QX,SH,SX,VH,VX
			-	-	-	(1)
	31610-ZG3-801	ROTOR COMP. (4MAG) .....	1	-	1	LHE,LJE,LWD,QAAE,QAE,QBE,QFE,QHE,QHE4,QNE,QXE,QXE4,SBE,SHE SHE4,SJE,SNE,SXE,SXE4,VAAE,VAE,VBE,VHE,VNE,VXE
			-	(1)	-	(1)
			-	-	1	1018349 LTE
	31130-ZG3-901	ROTOR COMP. (5-MAG) .....	1	-	1	SIE
			-	(1)	1	LTE1,PH,PX,P1,QH,QX,Q1,SH,SX,S1,VH,VX,V1
			-	-	1	1018350 LTE
			-	-	-	(1)
12	90201-ZG3-000	NUT, FLANGE, 20MM .....	1	1	1	1
13	90401-ZG3-000	WASHER, 20MM .....	1	1	1	1
14	90741-ZG3-000	KEY, WOODRUFF, 50X7 .....	1	1	1	1





Ref. No.	Part No.	Description	Reqd. QTY				Serial No.	Parts catalogue code
			GD410		GD411			
			(1)	(2)	(1)	(2)		
15	93600-06012-0A	SCREW, FLAT, 6X12 .....	3	-	3	-	-----	EGY,LHE,LJE,LTE,LTE1,LWD,QAAE,QAE,QBE,QFE,QHE,QHE4,QNE,QXE,QXE4,SBE,SHE,SHE4,SIE,SJE,SNE,SXE,SXE4,VAAE,VAE,VBE,VHE,VNE,VXE
			-	(3)	-	(3)		
16	95701-06012-00	BOLT, FLANGE, 6X12 .....	1	-	1	-	-----	EGY,LHE,LJE,LTE,LTE1,LWD,QAAE,QAE,QBE,QFE,QHE,QHE4,QNE,QXE,QXE4,SBE,SHE,SHE4,SIE,SJE,SNE,SXE,SXE4,VAAE,VAE,VBE,VHE,VNE,VXE
17	95701-06022-00	BOLT, FLANGE, 6X22 .....	-	(1)	-	(1)		
			3	(3)	-	-	1001551	P1,QAE,QFE,QHE,QNE,QXE,Q1,SHE,SJE,SNE,SXE,S1,VHE,VNE,VXE,V1
			-	(3)	-	-		E1
	90015-ZG3-000	.....	3	(3)	3	-	-----	EGY,E1,LHE,LJE,LTE,LTE1,LWD,L1,QAAE,QBE,QHE4,QXE4,SBE,SHE4,SIE,SXE4,VAAE,VAE,VBE
			3	(3)	-	-	1001552	P1,QAE,QFE,QHE,QNE,QXE,Q1,SHE,SJE,SNE,SXE,S1,VHE,VNE,VXE,V1
			-	-	3	-	-----	QAE,QHE,QXE,SHE,SJE,SXE,VHE,VXE
			-	-	-	(3)		
18	95701-08032-00	BOLT, FLANGE, 8X32 .....	3	-	3	-	-----	EGY
19	19514-ZJ7-E80	WASHER, COOLING FAN .....	-	-	1	-	-----	LTE,LTE1

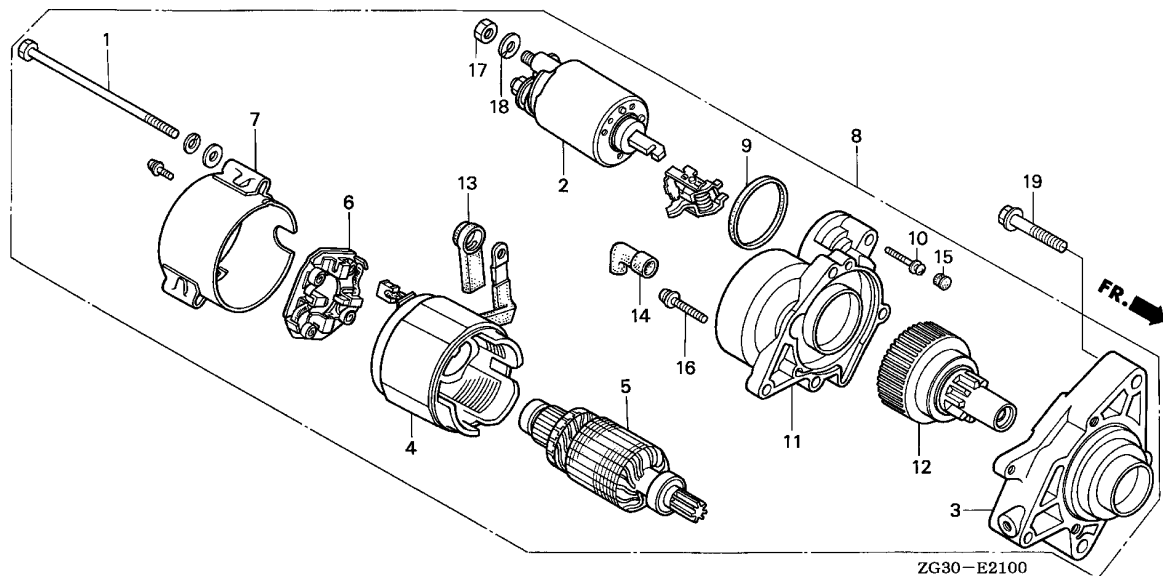


Service item	F.R.T.
MOTOR ASSY., STARTER .....	0.2
.SWITCH ASSY., MAGNETIC .....	
COVER, GEAR .....	0.3
.GEAR ASSY.	
ARMATURE COMP. ....	0.5
.PLATE COMP., BRUSH HOLDER	
.YOKE ASSY.	
CASE COMP., FR. ....	0.6

ZG30-E2100

Ref. No.	Part No.	Description	Reqd. QTY				Serial No.	Parts catalogue code
			GD410		GD411			
			(1)	(2)	(1)	(2)		
1	31202-PC2-681	BOLT, THROUGH .....	2	-	-	-	EGY, LHE, LJE, LWD, QAAE, QAE, QBE, QFE, QHE, QNE, QXE, SBE, SHE, SIE, SJE, SNE, SXE, VAAE, VAE, VBE, VBL, VHE, VNE, VXE	
			-	(2)	-	-		
			-	-	2	-	1014611 EGY, LHE, LJE, LTE, LTE1, LWD, QAAE, QAE, QBE, QHE, QHE4, QXE, QXE4, SBE, SHE, SHE4, SIE, SJE, SXE, SXE4, VAAE, VAE, VBE, VBL, VHE, VXE	
2	31204-ZG3-801	SWITCH ASSY., MAGNETIC .....	-	-	-	(2)	1014611	
			1	(1)	-	-	1009312 LJE, L1, SIE, SJE	
			1	-	-	-	QNE, SNE, VNE	
			1	-	-	-	1009448 QAE, QFE, QHE, QXE, SHE, SXE, VHE, VXE	
			1	-	-	-	1009574 QBE, SBE, VBE	
			1	-	-	-	1009731 LHE	
			-	(1)	-	-	1009604 E1, P1, Q1, S1, V1	
	31204-ZG3-802	.....	1	(1)	-	-	1009313 LJE, L1, SIE, SJE	
			1	-	-	-	EGY, LWD, QAAE, VAAE, VAE, VBL	
			1	-	-	-	1009449 QAE, QFE, QHE, QXE, SHE, SXE, VHE, VXE	
			1	-	-	-	1009575 QBE, SBE, VBE	
			1	-	-	-	1009732 LHE	
			-	(1)	-	-	1009605 E1, P1, Q1, S1, V1	
			-	-	1	-	1014611 EGY, LHE, LJE, LTE, LTE1, LWD, QAAE, QAE, QBE, QHE, QHE4, QXE, QXE4, SBE, SHE, SHE4, SIE, SJE, SXE, SXE4, VAAE, VAE, VBE, VBL, VHE, VXE	
3	31205-ZG3-801	COVER, GEAR .....	-	-	-	(1)	1014611	
			1	-	-	-	EGY, LHE, LJE, LWD, QAAE, QAE, QBE, QFE, QHE, QNE, QXE, SBE, SHE, SIE, SJE, SNE, SXE, VAAE, VAE, VBE, VBL, VHE, VNE, VXE	
			-	(1)	-	-		
			-	-	1	-	1014611 EGY, LHE, LJE, LTE, LTE1, LWD, QAAE, QAE, QBE, QHE, QHE4, QXE, QXE4, SBE, SHE, SHE4, SIE, SJE, SXE, SXE4, VAAE, VAE, VBE, VBL, VHE, VXE	
			-	-	-	(1)	1014611	



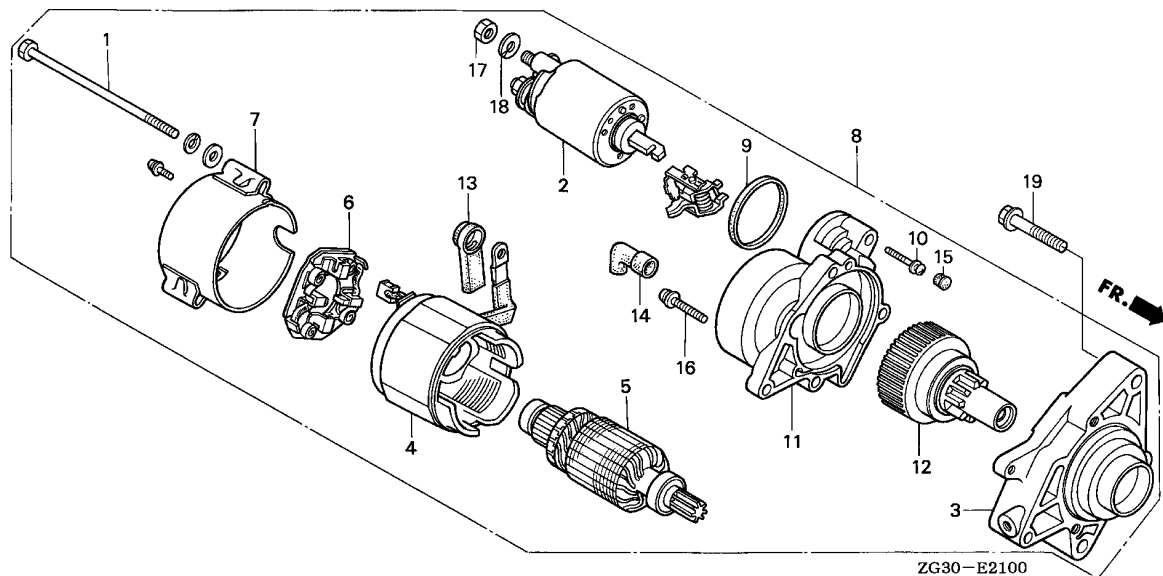


Ref. No.	Part No.	Description	Reqd. QTY				Serial No.	Parts catalogue code
			GD410		GD411			
			(1)	(2)	(1)	(2)		
4	31206-PH7-006	YOKE ASSY. (MITSUBA)	1	(1)	-	-	EGY,E1,P1,QAAE,QAE,QBE,QFE,QHE,QNE,QXE,Q1,SBE,SHE,SIE,SJE,SNE SXE,S1,VAAE,VAE,VBE,VBL,VHE,VNE,VXE,V1	
	31206-PK2-006	YOKE ASSY.	-	-	1	(1)	1014611 EGY,E1,P1,QAAE,QAE,QBE,QHE,QHE4,QXE,QXE4,Q1,SBE,SHE,SHE4,SIE SJE,SXE,SXE4,S1,VAAE,VAE,VBE,VBL,VHE,VXE,V1	
5	31207-PH3-953	ARMATURE COMP.	1	(1)	-	-	LHE,LJE,LWD,L1	
			1	(1)	-	-	1009312 LJE,L1,SIE,SJE	
			1	-	-	-	QNE,SNE,VNE	
			1	-	-	-	1009448 QAE,QFE,QHE,QXE,SHE,SXE,VHE,VXE	
			1	-	-	-	1009574 QBE,SBE,VBE	
			1	-	-	-	1009731 LHE	
	31207-PH3-954	ARMATURE ASSY.	-	(1)	-	-	1009604 E1,P1,Q1,S1,V1	
			1	(1)	-	1009313	LJE,L1,SIE,SJE	
			1	-	-	-	EGY,LWD,QAAE,VAAE,VAE,VBL	
			1	-	-	1009449	QAE,QFE,QHE,QXE,SHE,SXE,VHE,VXE	
			1	-	-	1009575	QBE,SBE,VBE	
			1	-	-	1009732	LHE	
			-	(1)	-	-	1009605 E1,P1,Q1,S1,V1	
			-	-	1	-	1014611 EGY,LHE,LJE,LTE,LTE1,LWD,QAAE,QAE,QBE,QHE,QHE4,QXE,QXE4,SBE SHE,SHE4,SIE,SJE,SXE,SXE4,VAAE,VAE,VBE,VBL,VHE,VXE	
			-	-	-	(1)	1014611	
6	31208-PC2-682	PLATE COMP., BRUSH HOLDER	1	(1)	-	-	LHE,LJE,LWD,L1	
	31208-PH7-006	STAY ASSY., BRUSH (MITSUBA)	-	-	1	(1)	1014611 LHE,LJE,LTE,LTE1,LWD,L1	
			1	(1)	-	-	EGY,E1,P1,QAAE,QAE,QBE,QFE,QHE,QNE,QXE,Q1,SBE,SHE,SIE,SJE,SNE SXE,S1,VAAE,VAE,VBE,VBL,VHE,VNE,VXE,V1	
			-	-	1	(1)	1014611 EGY,E1,P1,QAAE,QAE,QBE,QHE,QHE4,QXE,QXE4,Q1,SBE,SHE,SHE4,SIE SJE,SXE,SXE4,S1,VAAE,VAE,VBE,VBL,VHE,VXE,V1	

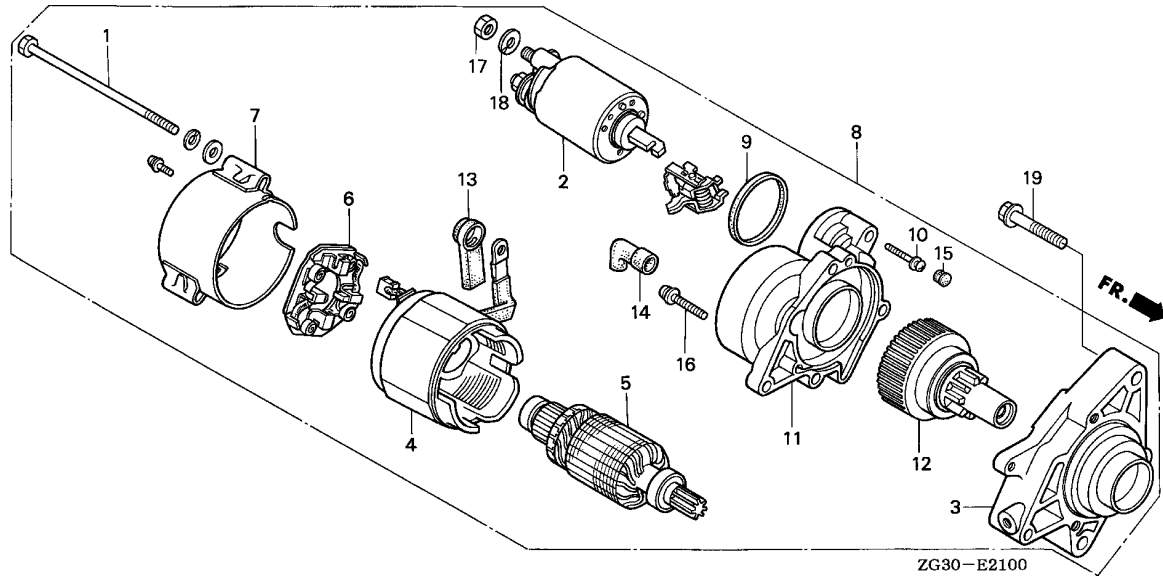
Ref. No.	Part No.	Description	Reqd. QTY		Serial No.	Parts catalogue code
			GD410 (1) (2)	GD411 (1) (2)		
7	31209-PH7-006	BRACKET, RR. UNIT .....	1	(1)	-	EGY, E1, P1, QAAE, QAE, QBE, QFE, QHE, QNE, QXE, Q1, SBE, SHE, SIE, SJE, SNE, SXE, S1, VAAE, VAE, VBE, VBL, VHE, VNE, VXE, V1
	31209-PK2-006	.....	-	-	1 (1)	1014611 EGY, E1, P1, QAAE, QAE, QBE, QHE, QHE4, QXE, QXE4, Q1, SBE, SHE, SHE4, SIE, SJE, SXE, SXE4, S1, VAAE, VAE, VBE, VBL, VHE, VXE, V1
8	31200-ZG3-611	MOTOR ASSY., STARTER .....	1	(1)	-	LHE, LJE, LWD, L1
	31210-ZG3-801	.....	1	-	-	1014611 LHE, LJE, LTE, LTE1, LWD, L1
			1	-	-	1009312 LJE, L1
			1	-	-	1009731 LHE
			1	-	-	QNE, SNE, VNE
			1	-	-	1009312 SIE, SJE
			1	-	-	1009448 QAE, QFE, QHE, QXE, SHE, SXE, VHE, VXE
			1	-	-	1009574 QBE, SBE, VBE
			-	(1)	-	1009604 E1, P1, Q1, S1, V1
	31200-ZG3-612	.....	1	(1)	-	1009313 LJE, L1
			1	-	-	LWD
			1	-	-	1009732 LHE
			-	-	1 (1)	1014611 LHE, LJE, LTE, LTE1, LWD, L1
	31210-ZG3-802	.....	1	-	-	EGY, QAAE, VAAE, VAE, VBL
			1	-	-	1009313 SIE, SJE
			1	-	-	1009449 QAE, QFE, QHE, QXE, SHE, SXE, VHE, VXE
			1	-	-	1009575 QBE, SBE, VBE
			-	(1)	-	1009605 E1, P1, Q1, S1, V1
			-	-	1 (1)	1014611 EGY, E1, LHE, P1, QAAE, QAE, QBE, QHE, QHE4, QXE, QXE4, Q1, SBE, SHE, SHE4, SIE, SJE, SXE, SXE4, S1, VAAE, VAE, VBE, VBL, VHE, VXE, V1
9	31211-PC2-006	RING, SQUARE (MITSUBA) .....	1	-	-	EGY, LHE, LJE, LWD, QAAE, QAE, QBE, QFE, QHE, QNE, QXE, SBE, SHE, SIE, SJE, SNE, SXE, VAAE, VAE, VBE, VBL, VHE, VNE, VXE
			-	(1)	-	-
			-	-	1	1014611 EGY, LHE, LJE, LTE, LTE1, LWD, QAAE, QAE, QBE, QHE, QHE4, QXE, QXE4, SBE, SHE, SHE4, SIE, SJE, SXE, SXE4, VAAE, VAE, VBE, VBL, VHE, VXE
			-	-	(1)	1014611
10	31217-PC2-006	SCREW-WASHER, 4X28(MITSUBA) .....	3	-	-	EGY, LHE, LJE, LWD, QAAE, QAE, QBE, QFE, QHE, QNE, QXE, SBE, SHE, SIE, SJE, SNE, SXE, VAAE, VAE, VBE, VBL, VHE, VNE, VXE
			-	(3)	-	-
			-	-	3	1014611 EGY, LHE, LJE, LTE, LTE1, LWD, QAAE, QAE, QBE, QHE, QHE4, QXE, QXE4, SBE, SHE, SHE4, SIE, SJE, SXE, SXE4, VAAE, VAE, VBE, VBL, VHE, VXE
			-	-	(3)	1014611
11	31229-PH7-006	CASE COMP., FR. ....	1	(1)	-	1003247 P1, QAE, QFE, QHE, QNE, QXE, Q1, SHE, SJE, SNE, SXE, S1, VHE, VNE, VXE, V1
	31229-PH7-016	.....	1	(1)	-	EGY, E1, LHE, LJE, LWD, L1, QAAE, QBE, SBE, SIE, VAAE, VAE, VBE, VBL
	31229-PH7-026	.....	-	-	1 (1)	1003248 P1, QAE, QFE, QHE, QNE, QXE, Q1, SHE, SJE, SNE, SXE, S1, VHE, VNE, VXE, V1
			-	-	1	1014611 EGY, LHE, LJE, LTE, LTE1, LWD, QAAE, QAE, QBE, QHE, QHE4, QXE, QXE4, SBE, SHE, SHE4, SIE, SJE, SXE, SXE4, VAAE, VAE, VBE, VBL, VHE, VXE
			-	-	(1)	1014611
12	31204-ZG3-611	GEAR ASSY. ....	1	(1)	-	LHE, LJE, LWD, L1
	31230-ZG3-801	.....	1	(1)	-	1014611 LHE, LJE, LTE, LTE1, LWD, L1
			-	-	1 (1)	EGY, E1, P1, QAAE, QAE, QBE, QFE, QHE, QNE, QXE, Q1, SBE, SHE, SIE, SJE, SNE, SXE, S1, VAAE, VAE, VBE, VBL, VHE, VNE, VXE, V1
			-	-	1 (1)	EGY, E1, P1, QAAE, QAE, QBE, QHE, QHE4, QXE, QXE4, Q1, SBE, SHE, SHE4, SIE, SJE, SXE, SXE4, S1, VAAE, VAE, VBE, VBL, VHE, VXE, V1
13	31235-PD2-016	COVER, TERMINAL (MITSUBA) ...	1	-	-	EGY, LHE, LJE, LWD, QAAE, QAE, QBE, QFE, QHE, QNE, QXE, SBE, SHE, SIE, SJE, SNE, SXE, VAAE, VAE, VBE, VBL, VHE, VNE, VXE
			-	(1)	-	-
			-	-	1	1014611 EGY, LHE, LJE, LTE, LTE1, LWD, QAAE, QAE, QBE, QHE, QHE4, QXE, QXE4, SBE, SHE, SHE4, SIE, SJE, SXE, SXE4, VAAE, VAE, VBE, VBL, VHE, VXE
			-	-	(1)	1014611
14	31251-PD2-016	TUBE, LABYRINTH .....	1	(1)	-	1001681 P1, QAE, QFE, QHE, QNE, QXE, Q1, SHE, SJE, SNE, SXE, S1, VHE, VNE, VXE, V1







Ref. No.	Part No.	Description	Reqd. QTY				Serial No.	Parts catalogue code	
			GD410		GD411				
			(1)	(2)	(1)	(2)			
14)	31251-PD2-026	TUBE, LABYRINTH .....	1	(1)	-	-	-----	EGY,E1,LHE,LJE,LWD,L1,QAAE,QBE,SBE,SIE,VAAE,VAE,VBE,VBL	
			1	(1)	-	-	1001682	-----	P1,QAE,QFE,QHE,QNE,QXE,Q1,SHE,SJE,SNE,SXE,S1,VHE,VNE,VXE,V1
			-	-	1	-	1014611	-----	EGY,LHE,LJE,LTE,LTE1,LWD,QAAE,QAE,QBE,QHE,QHE4,QXE,QXE4,SBE
			-	-	-	(1)	1014611	-----	SHE,SHE4,SIE,SJE,SXE,SXE4,VAAE,VAE,VBE,VBL,VHE,VXE
15	31252-PD2-006	RUBBER, BUSH (MITSUBA) .....	1	-	-	-	-----	EGY,LHE,LJE,LWD,QAAE,QAE,QBE,QFE,QHE,QNE,QXE,SBE,SHE,SIE,SJE	
			-	(1)	-	-	-----	SNE,SXE,VAAE,VAE,VBE,VBL,VHE,VNE,VXE	
			-	-	1	-	1014611	-----	EGY,LHE,LJE,LTE,LTE1,LWD,QAAE,QAE,QBE,QHE,QHE4,QXE,QXE4,SBE
			-	-	-	(1)	1014611	-----	SHE,SHE4,SIE,SJE,SXE,SXE4,VAAE,VAE,VBE,VBL,VHE,VXE
16	93892-06030-18	SCREW-WASHER, 6X30 .....	3	-	-	-	-----	EGY,LHE,LJE,LWD,QAAE,QAE,QBE,QFE,QHE,QNE,QXE,SBE,SHE,SIE,SJE	
			-	(3)	-	-	-----	SNE,SXE,VAAE,VAE,VBE,VBL,VHE,VNE,VXE	
			-	-	3	-	1014611	-----	EGY,LHE,LJE,LTE,LTE1,LWD,QAAE,QAE,QBE,QHE,QHE4,QXE,QXE4,SBE
			-	-	-	(3)	1014611	-----	SHE,SHE4,SIE,SJE,SXE,SXE4,VAAE,VAE,VBE,VBL,VHE,VXE
17	94002-08080-0S	NUT, HEX., 8MM .....	1	-	-	-	-----	EGY,LHE,LJE,LWD,QAAE,QAE,QBE,QFE,QHE,QNE,QXE,SBE,SHE,SIE,SJE	
			-	(1)	-	-	-----	SNE,SXE,VAAE,VAE,VBE,VBL,VHE,VNE,VXE	
			-	-	1	-	1014611	-----	EGY,LHE,LJE,LTE,LTE1,LWD,QAAE,QAE,QBE,QHE,QHE4,QXE,QXE4,SBE
			-	-	-	(1)	1014611	-----	SHE,SHE4,SIE,SJE,SXE,SXE4,VAAE,VAE,VBE,VBL,VHE,VXE



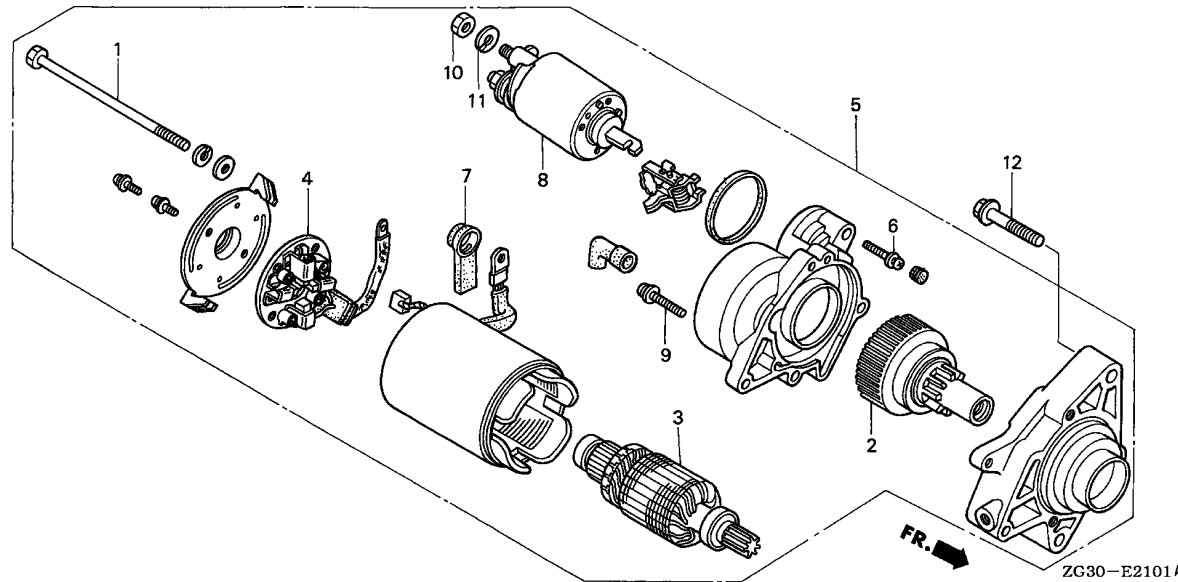
Ref. No.	Part No.	Description	Reqd. QTY				Serial No.	Parts catalogue code
			GD410		GD411			
			(1)	(2)	(1)	(2)		
18	94111-08800	WASHER, SPRING, 8MM .....	1	-	-	-	-----	EGY, LHE, LJE, LWD, QAAE, QAE, QBE, QFE, QHE, QNE, QXE, SBE, SHE, SIE, SJE, SNE, SXE, VAAE, VAE, VBE, VBL, VHE, VNE, VXE
			-	(1)	-	-	-----	1014611 EGY, LHE, LJE, LTE, LTE1, LWD, QAAE, QAE, QBE, QHE, QHE4, QXE, QXE4, SBE, SHE, SHE4, SIE, SJE, SXE, SXE4, VAAE, VAE, VBE, VBL, VHE, VXE
			-	-	-	(1)	-----	1014611
19	95701-08040-00	BOLT, FLANGE, 8X40 .....	2	-	-	-	-----	EGY, LHE, LJE, LWD, QAAE, QAE, QBE, QFE, QHE, QNE, QXE, SBE, SHE, SIE, SJE, SNE, SXE, VAAE, VAE, VBE, VBL, VHE, VNE, VXE
			-	(2)	-	-	-----	1014611 EGY, LHE, LJE, LTE, LTE1, LWD, QAAE, QAE, QBE, QHE, QHE4, QXE, QXE4, SBE, SHE, SHE4, SIE, SJE, SXE, SXE4, VAAE, VAE, VBE, VBL, VHE, VXE
			-	-	-	(2)	-----	1014611



E-21-1

STARTER MOTOR(2)

H 2

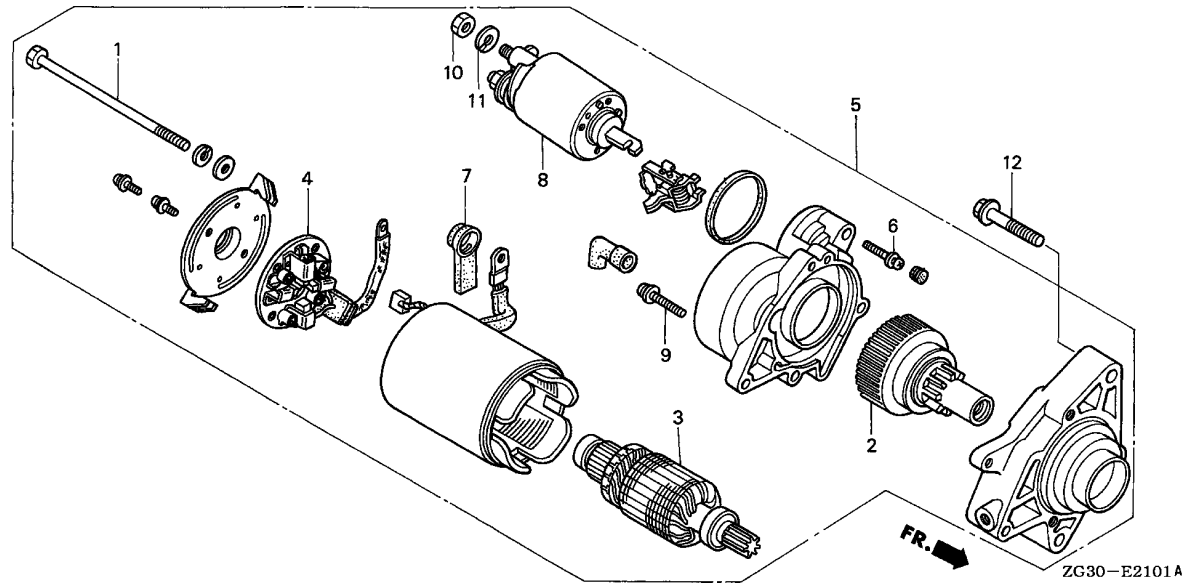


Service item	F.R.T.
MOTOR ASSY., STARTER	0.2
.SWITCH ASSY.	
GEAR ASSY.	0.3
ARMATURE ASSY.	0.5
.STAY ASSY., BRUSH	

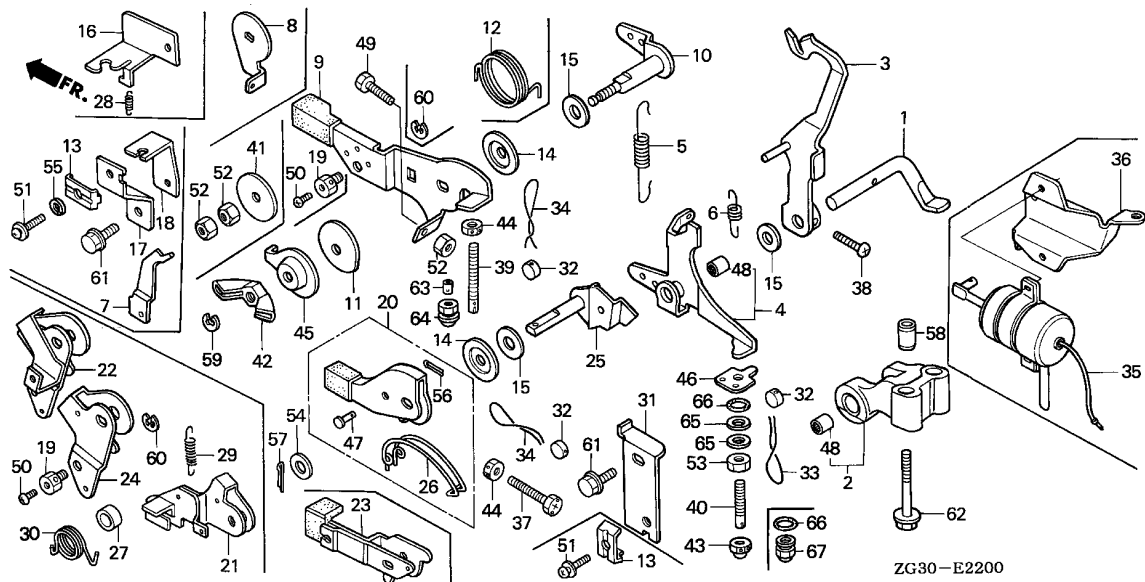
ZG30-E2101A

Ref. No.	Part No.	Description	Reqd. QTY		Serial No.	Parts catalogue code
			GD410 (1) (2)	GD411 (1) (2)		
1	31202-POC-004	BOLT, SETTING	-	2	1014612	EGY, LHE, LJE, LTE, LTE1, LWD, QAAE, QAE, QBE, QHE, QHE4, QXE, QXE4, SBE SHE, SHE4, SIE, SJE, SXE, SXE4, VAAE, VAE, VBE, VBL, VHE, VXE
2	31204-P8A-A01	GEAR ASSY.	-	1	1014612	EGY, QAAE, QAE, QBE, QHE, QHE4, QXE, QXE4, SBE, SHE, SHE4, SIE, SJE, SXE SXE4, VAAE, VAE, VBE, VBL, VHE, VXE
3	31230-ZG3-611 31207-PAA-A02	ARMATURE ASSY.	-	1	1014612	LHE, LJE, LTE, LTE1, LWD, L1
4	31208-P8A-A01	STAY ASSY., BRUSH	-	1	1014612	EGY, LHE, LJE, LTE, LTE1, LWD, QAAE, QAE, QBE, QHE, QHE4, QXE, QXE4, SBE SHE, SHE4, SIE, SJE, SXE, SXE4, VAAE, VAE, VBE, VBL, VHE, VXE
5	31200-ZG3-613 31210-ZG3-803	MOTOR ASSY., STARTER	-	1	1014612	LHE, LJE, LTE, LTE1, LWD, L1
6	31217-PC2-006	SCREW-WASHER, 4X28(MITSUBA)	-	3	1014612	EGY, LHE, LJE, LTE, LTE1, LWD, QAAE, QAE, QBE, QHE, QHE4, QXE, QXE4, SBE SHE, SHE4, SIE, SJE, SXE, SXE4, VAAE, VAE, VBE, VBL, VHE, VXE
7	31235-ZA0-981	COVER, TERMINAL	-	1	1014612	EGY, LHE, LJE, LTE, LTE1, LWD, QAAE, QAE, QBE, QHE, QHE4, QXE, QXE4, SBE SHE, SHE4, SIE, SJE, SXE, SXE4, VAAE, VAE, VBE, VBL, VHE, VXE
8	31240-ZG3-801	SWITCH ASSY.	-	1	1014612	EGY, LHE, LJE, LTE, LTE1, LWD, QAAE, QAE, QBE, QHE, QHE4, QXE, QXE4, SBE SHE, SHE4, SIE, SJE, SXE, SXE4, VAAE, VAE, VBE, VBL, VHE, VXE

2



Ref. No.	Part No.	Description	Reqd. QTY		Serial No.	Parts catalogue code
			GD410 (1) (2)	GD411 (1) (2)		
9	93892-06025-18	SCREW-WASHER, 6X25 .....	-	3	1014612	----- EGY,LHE,LJE,LTE,LTE1,LWD,QAAE,QAE,QBE,QHE,QHE4,QXE,QXE4,SBE SHE,SHE4,SIE,SJE,SXE,SXE4,VAAE,VAE,VBE,VBL,VHE,VXE
10	94002-08080-0S	NUT, HEX., 8MM .....	-	1	1014612	----- EGY,LHE,LJE,LTE,LTE1,LWD,QAAE,QAE,QBE,QHE,QHE4,QXE,QXE4,SBE SHE,SHE4,SIE,SJE,SXE,SXE4,VAAE,VAE,VBE,VBL,VHE,VXE
			-	(1)	1014612	
11	94111-08800	WASHER, SPRING, 8MM .....	-	1	1014612	----- EGY,LHE,LJE,LTE,LTE1,LWD,QAAE,QAE,QBE,QHE,QHE4,QXE,QXE4,SBE SHE,SHE4,SIE,SJE,SXE,SXE4,VAAE,VAE,VBE,VBL,VHE,VXE
			-	(1)	1014612	
12	95701-08040-00	BOLT, FLANGE, 8X40 .....	-	2	1014612	----- EGY,LHE,LJE,LTE,LTE1,LWD,QAAE,QAE,QBE,QHE,QHE4,QXE,QXE4,SBE SHE,SHE4,SIE,SJE,SXE,SXE4,VAAE,VAE,VBE,VBL,VHE,VXE
			-	(2)	1014612	

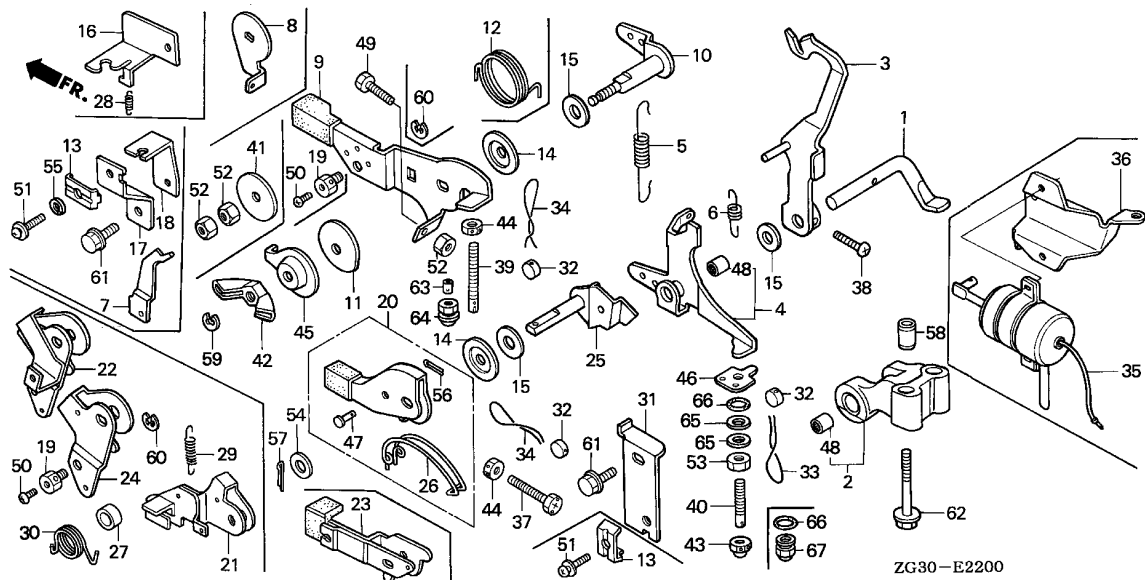


Service item	F.R.T.
LEVER, CONTROL .....	0.2
.SOLENOID ASSY., ENGINE STOP	
SHAFT, CONTROL LEVER .....	1.1
(INC. RELATIVE PART)	
.SHAFT, STOP LEVER	
(INC. RELATIVE PART)	

2

Ref. No.	Part No.	Description	Reqd. QTY				Serial No.	Parts catalogue code
			GD410		GD411			
			(1)	(2)	(1)	(2)		
1	16541-ZG3-000	SHAFT, GOVERNOR ARM .....	1	1	1	1		
2	16544-ZG3-000	STAY, GOVERNOR SHAFT .....	1	1	1	1		
3	16550-ZG3-000	ARM COMP., GOVERNOR .....	1	1	1	1		
4	16558-ZG3-000	ARM COMP., SUB GOVERNOR .....	1	1	-	-	1000113	PH,PX,P1,QA,QAE,QFE,QH,QHE,QN,QNE,QX,QXE,Q1,SH,SHE,SJ,SJE,SN SNE,SX,SXE,S1,VF,VH,VHE,VN,VNE,VX,VXE,V1
	16558-ZG3-010	.....	1	1	-	-	1000114	EGY,E1,LH,LHE,LJ,LJE,LWD,L1,PA,PAA,QA,QAA,QAE,QB,QBE,SB,SBE,SIE VA,VAA,VAE,VAE,VB,VBB,VBE,VBL PH,PX,P1,QA,QAE,QFE,QH,QHE,QN,QNE,QX,QXE,Q1,SH,SHE,SJ,SJE,SN SNE,SX,SXE,S1,VF,VH,VHE,VN,VNE,VX,VXE,V1
5	16561-ZG3-000	SPRING, GOVERNOR .....	1	-	1	-	1000113	EGY,LH,LHE,LJ,LJE,LTE,LTE1,LWD,PA,PAA,PH,PX,QA,QAA,QAAE,QAE QFE,QH,QHE,QHE4,QHQ4,QHX,QHX4,QX,QXE,QXE4,SH,SHE,SHE4,SIE,SJ SJE,SX,SXE,SXE4,SXQ4,VA,VAA,VAE,VAE,VF,VH,VHE,VX,VXE
	16561-ZG3-800	SPRING, GOVERNOR (3000RPM) ..	-	1	-	1	1000113	QB,QBE,QN,QNE,SB,SBE,SN,SNE,VB,VBB,VBE,VBL,VBX,VBX1,VGB,VN,VNE
6	16563-ZG3-000	SPRING, IDLE .....	1	1	-	-	1000113	LH,LHE,LJ,LJE,LWD,L1,QN,QNE,SIE,SN,SNE,VN,VNE
			1	1	-	-	1020977	EGY,E1,P1,Q1,SJ,SJE,S1,V1
			1	-	-	-	1019353	QB,QBE,SB,SBE,VB,VBE
			1	-	-	-	1019418	PA,PAA,PH,PX,QA,QAA,QAAE,QAE,QFE,QH,QHE,QX,QXE,SH,SHE,SX,SXE VA,VAA,VAE,VAE,VBB,VBL,VF,VH,VHE,VX,VXE
			-	-	1	-	1000091	EGY,LJ,LJE,LWD,SIE,SJ,SJE
			-	-	-	1	1000091	





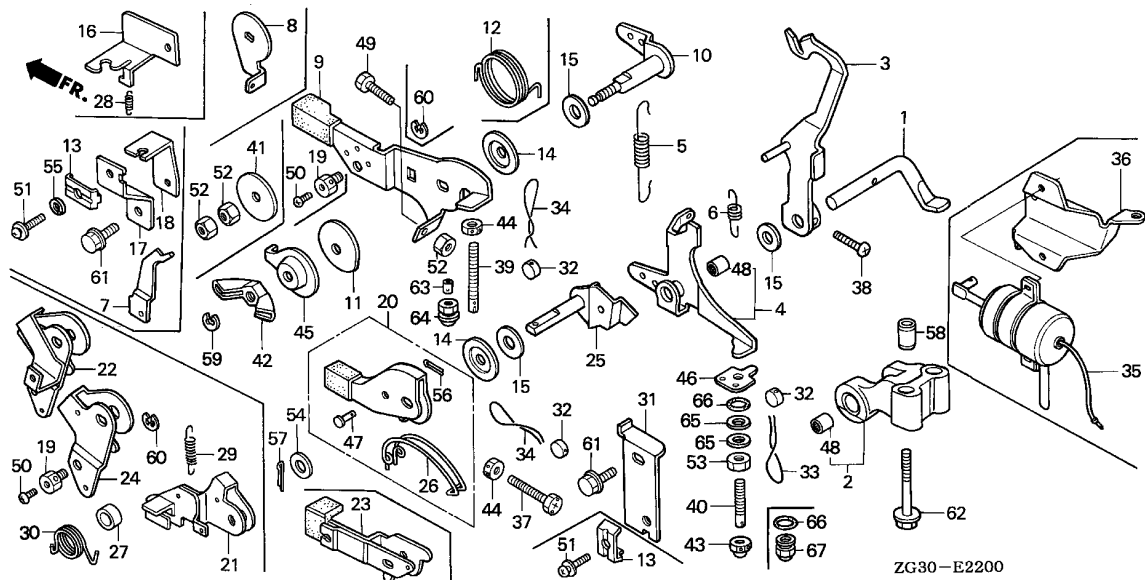
ZG30-E2200

Ref. No.	Part No.	Description	Reqd. QTY		Serial No.	Parts catalogue code
			GD410 (1) (2)	GD411 (1) (2)		
20	16630-ZG3-000	LEVER COMP., STOP .....	1	- 1	-----	LH,LHE,LJ,LJE,PA,PAA,PH,PX,QA,QAA,QAAE,QAQ,QB,QBE,QFE,QH,QHE,QHE4,QHQ4,QHX,QHX4,QN,QNE,QX,QXE,QXE4,SB,SBE,SH,SHE,SHE4,SJSJE,SN,SNE,SX,SXE,SXE4,SXQ4,VA,VAA,VAE,VAE,VB,VBB,VBE,VBL,VBX,VBX1,VF,VGB,VH,VHE,VN,VNE,VX,VXE
			- (1)	- (1)		
21	16630-ZG3-610	LEVER COMP., STOP .....	-	(1)	- (1)	
22	16630-ZG4-910	LEVER COMP., STOP .....	1	- 1	-----	LTE,LTE1,LWD
23	16631-ZG3-E00	LEVER, STOP .....	1	- 1	-----	EGY
24	16631-ZG3-800	LEVER, STOP (REMOTE CONTROL) .....	-	(1)	- (1)	
25	16632-ZG3-000	SHAFT, STOP LEVER .....	1	- 1	-----	EGY,LH,LHE,LJ,LJE,LTE,LTE1,LWD,PA,PAA,PH,PX,QA,QAA,QAAE,QAQ,QB,QBE,QFE,QH,QHE,QHE4,QHQ4,QHX,QHX4,QN,QNE,QX,QXE,QXE4,SB,SBE,SH,SHE,SHE4,SJSJE,SN,SNE,SX,SXE,SXE4,SXQ4,VA,VAA,VAE,VAE,VB,VBB,VBE,VBL,VBX,VBX1,VF,VGB,VH,VHE,VN,VNE,VX,VXE
			- (1)	- (1)		
26	16633-ZG3-300	SPRING, STOP LEVER .....	1	- 1	-----	LH,LHE,LJ,LJE,PA,PAA,PH,PX,QA,QAA,QAAE,QAQ,QB,QBE,QFE,QH,QHE,QHE4,QHQ4,QHX,QHX4,QN,QNE,QX,QXE,QXE4,SB,SBE,SH,SHE,SHE4,SJSJE,SN,SNE,SX,SXE,SXE4,SXQ4,VA,VAA,VAE,VAE,VB,VBB,VBE,VBL,VBX,VBX1,VF,VGB,VH,VHE,VN,VNE,VX,VXE
			- (1)	- (1)		
27	16636-ZG3-800	COLLAR, STOP LEVER .....	1	- 1	-----	LTE,LTE1,LWD
			- (1)	- (1)		
28	16637-ZG3-E00	SPRING, STOP LEVER .....	1	- 1	-----	EGY
29	16637-ZG3-610	SPRING, STOP LEVER .....	-	(1)	- (1)	
30	16637-ZG4-910	SPRING, STOP LEVER .....	1	- 1	-----	LTE,LTE1,LWD
	16637-ZG3-800	.....	-	(1)	- (1)	

Ref. No.	Part No.	Description	Reqd. QTY				Serial No.	Parts catalogue code
			GD410 (1)	GD410 (2)	GD411 (1)	GD411 (2)		
31	16645-ZG3-000	HOLDER COMP., STOP CABLE ....	1	-	1	-	SB	
			1	-	(1)	-	LH,LHE,LJ,LJE,L1,PA,PAA,PH,PX,P1,QA,QAA,QAAE,QAE,QB,QBE,QFE,QH,QHE,QN,QNE,QX,QXE,Q1,SBE,SH,SHE,SJ,SJE,SN,SNE,SX,SXE,S1,VA,VAA,VAE,VAE,VB,VBB,VBE,VBL,VF,VH,VHE,VN,VNE,VX,VXE	
			-	(1)	-	-		
			-	-	1	-	1005562 LH,LHE,PA,PAA,PH,PX,QA,QAA,QAAE,QAE,QH,QHE,QHE4,QHQ4,QHX,QHX4,QX,QXE,QXE4,SBE,SH,SHE,SHE4,SX,SXE,SXE4,SXQ4,VA,VAA,VAE,VAE,VB,VBB,VBE,VBX,VBX1,VGB,VH,VHE,VX,VXE	
			-	-	1	-	1005728 QB,QBE,VBL	
			-	-	1	-	1006190 LJ,LJE,SJ,SJE	
			-	-	(1)	-	1006472 E1,V1	
	16645-ZG3-010	.....	-	-	1	-	1005563 LH,LHE,PA,PAA,PH,PX,QA,QAA,QAAE,QAE,QH,QHE,QHE4,QHQ4,QHX,QHX4,QX,QXE,QXE4,SBE,SH,SHE,SHE4,SX,SXE,SXE4,SXQ4,VA,VAA,VAE,VAE,VB,VBB,VBE,VBX,VBX1,VGB,VH,VHE,VX,VXE	
			-	-	1	-	1005729 QB,QBE,VBL	
			-	-	1	-	1006191 LJ,LJE,SJ,SJE	
			-	-	(1)	-	1006473 E1,V1	
32	16727-705-000	END, LOCK .....	2	-	2	-	SIE	
			3	-	3	-	EGY,LH,LHE,LJ,LJE,LTE,LTE1,LWD,PH,PX,QB,QBE,QFE,QH,QHE,QHE4,QHQ4,QHX,QHX4,QN,QNE,QX,QXE,QXE4,SB,SBE,SH,SHE,SHE4,SJ,SJE,SN,SNE,SX,SXE,SXE4,SXQ4,VB,VBB,VBE,VBL,VBX,VBX1,VF,VGB,VH,VHE,VN,VNE,VX,VXE	
			3	-	-	-	PA,PAA,QA,QAA,QAAE,QAE,VA,VAA,VAE,VAE	
			-	(N)	-	(N)		
			-	-	3	-	1005891 PA,PAA,QA,QAA,QAAE,QAE,VA,VAA,VAE,VAE	
			-	-	1	-	1005892 PA,PAA,QA,QAA,QAAE,QAE,VA,VAA,VAE,VAE	
33	16728-ZG3-000	WIRE, LOCK (A) .....	1	1	-	1		
			-	-	1	-	EGY,LH,LHE,LJ,LJE,LTE,LTE1,LWD,PH,PX,QB,QBE,QH,QHE,QHE4,QHQ4,QHX,QHX4,QX,QXE,QXE4,SB,SBE,SH,SHE,SHE4,SIE,SJ,SJE,SX,SXE,SXE4,SXQ4,VB,VBB,VBE,VBL,VBX,VBX1,VGB,VH,VHE,VX,VXE	
			-	-	1	-	1004718 PA,PAA,QA,QAA,QAAE,QAE,VA,VAA,VAE,VAE	
34	16729-ZG3-000	WIRE, LOCK (B) .....	1	-	1	-	SIE	
			2	-	2	-	EGY,LH,LHE,LJ,LJE,LTE,LTE1,LWD,PH,PX,QB,QBE,QFE,QH,QHE,QHE4,QHQ4,QHX,QHX4,QN,QNE,QX,QXE,QXE4,SB,SBE,SH,SHE,SHE4,SJ,SJE,SN,SNE,SX,SXE,SXE4,SXQ4,VB,VBB,VBE,VBL,VBX,VBX1,VF,VGB,VH,VHE,VN,VNE,VX,VXE	
			2	-	-	-	PA,PAA,QA,QAA,QAAE,QAE,VA,VAA,VAE,VAE	
			-	(N)	-	(N)		
			-	-	2	-	1005891 PA,PAA,QA,QAA,QAAE,QAE,VA,VAA,VAE,VAE	
			-	-	1	-	1005892 PA,PAA,QA,QAA,QAAE,QAE,VA,VAA,VAE,VAE	
35	36260-ZG4-911	SOLENOID ASSY., ENGINE STOP .	1	-	1	-	LTE,LTE1,LWD	
36	36261-ZG4-910	STAY, SOLENOID .....	1	-	1	-	LTE,LTE1,LWD	
37	90007-ZG3-000	BOLT, RECESSED, 6X32 .....	1	-	1	-	LH,LHE,LJ,LJE,LTE,LTE1,LWD,PA,PAA,PH,PX,QA,QAA,QAAE,QAE,QB,QBE,QFE,QH,QHE,QHE4,QHQ4,QHX,QHX4,QN,QNE,QX,QXE,QXE4,SB,SBE,SH,SHE,SHE4,SJ,SJE,SN,SNE,SX,SXE,SXE4,SXQ4,VA,VAA,VAE,VAE,VB,VBE,VBL,VBX1,VF,VGB,VH,VHE,VN,VNE,VX,VXE	
			2	-	2	-	EGY,VBB,VBX	
			-	(1)	-	(1)		
38	90010-ZG3-000	SCREW, PAN, 3X18 .....	1	1	1	1		



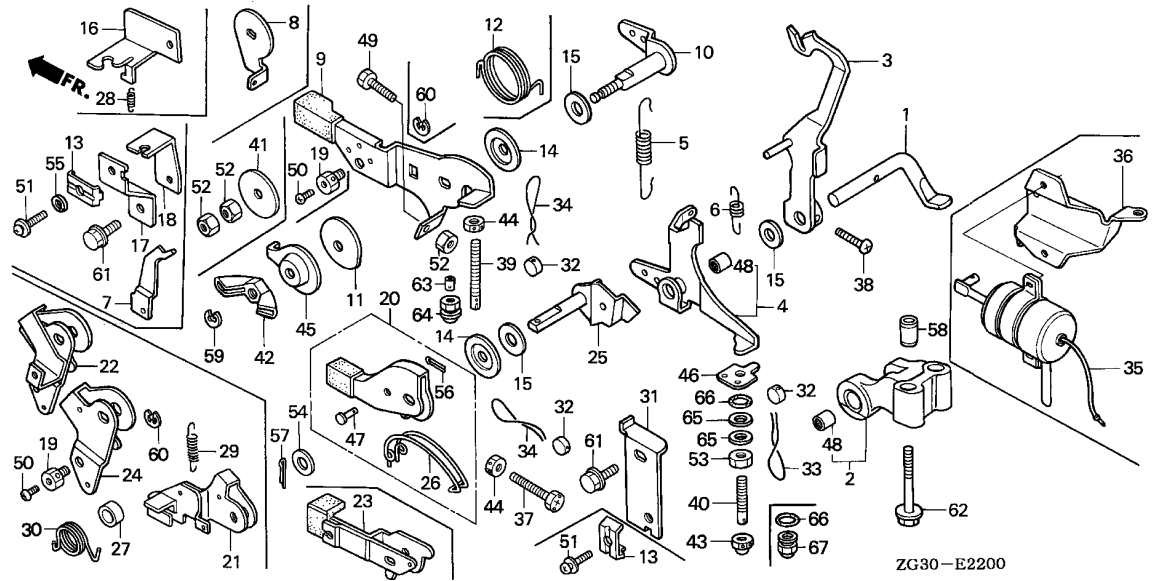




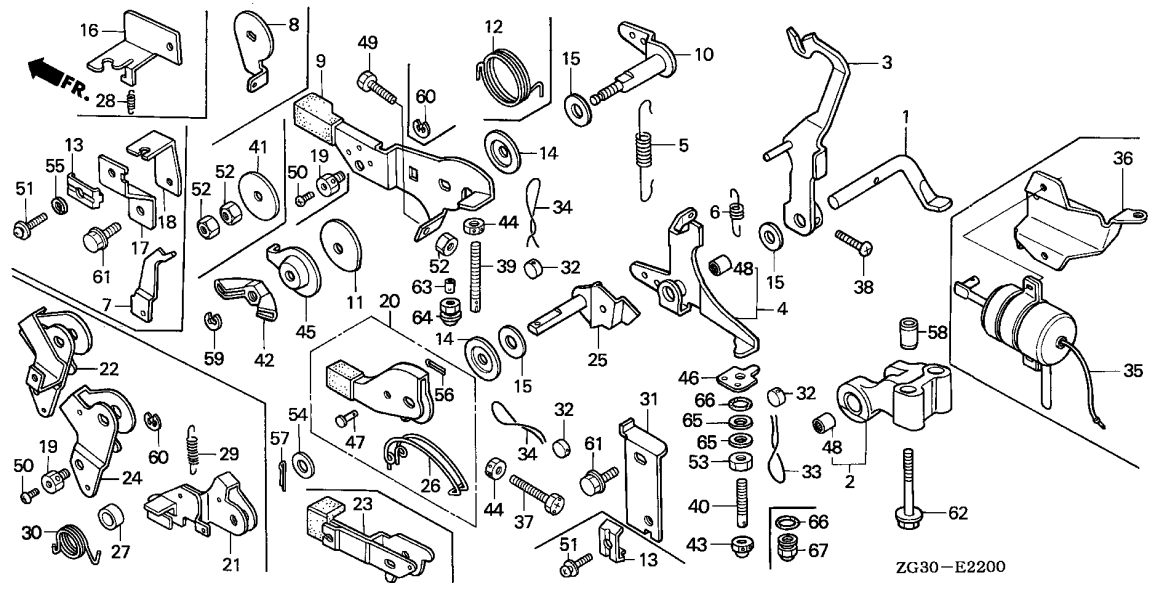
Ref. No.	Part No.	Description	Reqd. QTY		Serial No.	Parts catalogue code
			GD410 (1) (2)	GD411 (1) (2)		
39	90045-ZG3-000	BOLT, CONTROL ADJUSTING .....	1	(1)	-	E1,LH,LHE,LJ,LJE,LWD,PA,PAA,PH,PX,QA,QAA,QAAE,QAE,QB,QBE,QFE,QH,QHE,QN,QNE,QX,QXE,SB,SBE,SH,SHE,SIE,SJ,SJE,SN,SNE,SX,SXE,VA,VAA,VAE,VB,VBE,VBL,VF,VH,VHE,VN,VNE,VX,VXE
			-	1	-	1010177 L1,P1,Q1,S1,V1
			-	(1)	1010178	L1,P1,Q1,S1,V1
			-	1	-	LH,LHE,LJ,LJE,LTE,LTE1,LWD,PH,PX,QB,QBE,QH,QHE,QHE4,QHQ4,QHX,QHX4,QX,QXE,QXE4,SB,SBE,SH,SHE,SHE4,SIE,SJ,SJE,SX,SXE,SXE4,SXQ4,VB,VBE,VBL,VBX1,VGB,VH,VHE,VX,VXE
			-	1	1005891	PA,PAA,QA,QAA,QAAE,QAE,VA,VAA,VAE,VAE
			-	-	(1)	
	90045-ZJ7-930	.....	-	1	1005892	PA,PAA,QA,QAA,QAAE,QAE,VA,VAA,VAE,VAE
40	90102-ZG3-000	BOLT, ADJUSTING .....	1	-	-	
			-	(1)	-	1008802
			-	1	1008803	
	90102-ZJ7-000	.....	-	1	-	1001380 LH,LHE,PA,PAA,PH,PX,QA,QAA,QAAE,QAE,QB,QBE,QH,QHE,QX,QXE,SB,SBE,SH,SHE,SX,SXE,VA,VAA,VAE,VAE,VB,VBB,VBE,VBL,VH,VHE,VX,VXE
			-	1	-	1001380 EGY,LJ,LJE,LWD,SIE,SJ,SJE
			-	1	-	1001380
	90102-ZJ7-010	.....	-	1	1001381	LTE,LTE1,QHE4,QHQ4,QHX,QHX4,QXE4,SHE4,SXE4,SXQ4,VBX,VBX1,VGB,EGY,LH,LHE,LJ,LJE,LWD,PA,PAA,PH,PX,QA,QAA,QAAE,QAE,QB,QBE,QH,QHE,QX,QXE,SB,SBE,SH,SHE,SIE,SJ,SJE,SX,SXE,VA,VAA,VAE,VAE,VB,VBB,VBE,VBL,VH,VHE,VX,VXE
			-	-	1	1001381
41	90136-428-870	WASHER, TANK SETTING .....	1	1	-	EGY,LTE,LTE1,LWD,SIE,VBB,VBX
			-	(1)	-	(1)

Ref. No.	Part No.	Description	Reqd. QTY		Serial No.	Parts catalogue code	
			GD410 (1) (2)	GD411 (1) (2)			
42	90203-679-000	NUT, PLUG COVER .....	1	-	1	LH,LHE,LJ,LJE,PA,PAA,PH,PX,QA,QAA,QAAE,QAE,QB,QBE,QFE,QH,QHE,QHE4,QHQ4,QHX,QHX4,QN,QNE,QX,QXE,QXE4,SB,SBE,SH,SHE,SHE4,SJ,SJE,SN,SNE,SX,SXE,SXE4, SXQ4,VA,VAA,VAAE,VAE,VB,VBE,VBL,VBX1,VF,VGB,VH,VHE,VN,VNE,VX,VXE	
			-	(1)	-	(1)	
43	90206-ZG3-000	NUT, HEX., 6MM .....	1	-	-	EGY,LJ,LJE,LWD,SIE,SJ,SJE	
	90205-ZJ7-000	NUT, CAP, 6MM .....	-	-	1	1001380 EGY,LH,LHE,LJ,LJE,LWD,PA,PAA,PH,PX,QA,QAA,QAAE,QAE,QB,QBE,QH,QHE,QX,QXE,SB,SBE,SH,SHE,SIE,SJ,SJE,SX,SXE,VA,VAA,VAAE,VAE,VB,VBB,VBE,VBL,VH,VHE,VX,VXE	
	90206-ZG3-000	NUT, HEX., 6MM .....	-	-	1	1001380	
	90205-ZJ7-010	NUT, CAP, 6MM .....	-	-	1	1005892 PA,PAA,QA,QAA,QAAE,QAE,VA,VAA,VAAE,VAE	
			-	-	1	1001381 LTE,LTE1,QHE4,QHQ4,QHX,QHX4,QXE4,SHE4,SXE4, SXQ4,VBX,VBX1,VGB	
			-	-	1	1001381 EGY,LH,LHE,LJ,LJE,LWD,PH,PX,QB,QBE,QH,QHE,QX,QXE,SB,SBE,SH,SHE,SIE,SJ,SJE,SX,SXE,VB,VBB,VBE,VBL,VH,VHE,VX,VXE	
			-	-	1	1005891 PA,PAA,QA,QAA,QAAE,QAE,VA,VAA,VAAE,VAE	
			-	-	1	1001381	
44	90206-ZG3-000	NUT, HEX., 6MM .....	2	-	2	LH,LHE,PH,PX,QB,QBE,QFE,QH,QHE,QHE4,QHQ4,QHX,QHX4,QN,QNE,QX,QXE,QXE4,SB,SBE,SH,SHE,SHE4,SN,SNE,SX,SXE,SXE4, SXQ4,VB,VBB,VBE,VBL,VBX,VBX1,VF,VGB,VH,VHE,VN,VNE,VX,VXE	
			2	-	-	PA,PAA,QA,QAA,QAAE,QAE,VA,VAA,VAAE,VAE	
			-	-	2	1005891 PA,PAA,QA,QAA,QAAE,QAE,VA,VAA,VAAE,VAE	
			1	-	1	EGY,SIE	
			2	-	2	LJ,LJE,LTE,LTE1,LWD,SJ,SJE	
			-	(2)	-	(2)	
	94002-06080-0S	.....	-	-	1	1005892 PA,PAA,QA,QAA,QAAE,QAE,VA,VAA,VAAE,VAE	
45	90405-ZG3-000	WASHER, 6X30 .....	1	-	1	LH,LHE,LJ,LJE,PA,PAA,PH,PX,QA,QAA,QAAE,QAE,QB,QBE,QFE,QH,QHE,QHE4,QHQ4,QHX,QHX4,QN,QNE,QX,QXE,QXE4,SB,SBE,SH,SHE,SHE4,SJ,SJE,SN,SNE,SX,SXE,SXE4, SXQ4,VA,VAA,VAAE,VAE,VB,VBE,VBL,VBX1,VF,VGB,VH,VHE,VN,VNE,VX,VXE	
			-	(1)	-	(1)	
46	90426-ZG3-000	WASHER, SEALING .....	1	-	-		
			-	(1)	-	1008802	
			-	1	-	1008803	
			-	-	1	EGY,LH,LHE,LJ,LJE,LTE,LTE1,LWD,PH,PX,QB,QBE,QH,QHE,QHE4,QHQ4,QHX,QHX4,QX,QXE,QXE4,SB,SBE,SH,SHE,SHE4,SIE,SJ,SJE,SX,SXE,SXE4, SXQ4,VB,VBB,VBE,VBL,VBX,VBX1,VGB,VH,VHE,VX,VXE	
			-	-	1	1004718 PA,PAA,QA,QAA,QAAE,QAE,VA,VAA,VAAE,VAE	
47	90751-ZG3-300	PIN, CENTER, 4X16.5 .....	1	-	1	LH,LHE,LJ,LJE,PA,PAA,PH,PX,QA,QAA,QAAE,QAE,QB,QBE,QFE,QH,QHE,QHE4,QHQ4,QHX,QHX4,QN,QNE,QX,QXE,QXE4,SB,SBE,SH,SHE,SHE4,SJ,SJE,SN,SNE,SX,SXE,SXE4, SXQ4,VA,VAA,VAAE,VAE,VB,VBB,VBE,VBL,VBX,VBX1,VF,VGB,VH,VHE,VN,VNE,VX,VXE	
			-	(1)	-	(1)	
48	91024-KG4-004	BEARING, NEEDLE, 8X12X10(TOYO)	2	2	2		
49	92301-06020-0A	BOLT, RECESSED, 6X20 .....	1	-	1	LH,LHE,LJ,LJE,LTE,LTE1,LWD,PA,PAA,PH,PX,QA,QAA,QAAE,QAE,QB,QBE,QFE,QH,QHE,QHE4,QHQ4,QHX,QHX4,QN,QNE,QX,QXE,QXE4,SB,SBE,SH,SHE,SHE4,SJ,SJE,SN,SNE,SX,SXE,SXE4, SXQ4,VA,VAA,VAAE,VAE,VB,VBE,VBL,VBX1,VF,VGB,VH,VHE,VN,VNE,VX,VXE	
			-	(1)	-	(1)	
50	93500-04008-0A	SCREW, PAN, 4X8 .....	1	-	1	LTE,LTE1,LWD,SIE	
			-	(N)	-	(N)	
51	93893-05020-00	SCREW-WASHER, 5X20 .....	1	-	-	1007811 SIE	
	92301-05020-0A	BOLT, RECESSED, 5X20 .....	1	-	-	1007812 SIE	
			-	-	1	LTE,LTE1,SIE	





Ref. No.	Part No.	Description	Reqd. QTY				Serial No.	Parts catalogue code
			GD410		GD411			
			(1)	(2)	(1)	(2)		
52	94001-06000-0S	NUT, HEX., 6MM	1	-	1	-	LH,LHE,LJ,LJE,PA,PAA,PH,PX,QA,QAA,QAAE,QAE,QB,QBE,QFE,QH,QHE,QHE4,QHQ4,QHX,QHX4,QN,QNE,QX,QXE,QXE4,SB,SBE,SH,SHE,SHE4,SJSJE,SN,SNE,SX,SXE,SXE4,SXQ4,VA,VAA,VAAE,VAE,VB,VBE,VBL,VBX1,VF,VGB,VH,VHE,VN,VNE,VX,VXE	
			2	-	1	-	SIE	
			2	-	2	-	EGY,VBB,VBX	
			3	-	3	-	LTE,LTE1,LWD	
53	94001-06280-0S	NUT, HEX., 6MM	-	(3)	-	(3)		
			1	-	-	-	1008802	
			-	(1)	-	-	1008803	
			-	-	1	1		
54	94102-08000	WASHER, PLAIN, 8MM	1	-	1	-	LH,LHE,LJ,LJE,LTE,LTE1,LWD,PA,PAA,PH,PX,QA,QAA,QAAE,QAE,QB,QBE,QFE,QH,QHE,QHE4,QHQ4,QHX,QHX4,QN,QNE,QX,QXE,QXE4,SB,SBE,SH,SHE,SHE4,SJSJE,SN,SNE,SX,SXE,SXE4,SXQ4,VA,VAA,VAAE,VAE,VB,VBB,VBE,VBL,VBX,VBX1,VF,VGB,VH,VHE,VN,VNE,VX,VXE	
55	94111-05000	WASHER, SPRING, 5MM	-	(1)	-	(1)	1007812	
			1	-	-	-	SIE	
			-	-	1	-	LTE,LTE1,SIE	
56	94201-16080	PIN, SPLIT, 1.6	1	-	1	-	LH,LHE,LJ,LJE,PA,PAA,PH,PX,QA,QAA,QAAE,QAE,QB,QBE,QFE,QH,QHE,QHE4,QHQ4,QHX,QHX4,QN,QNE,QX,QXE,QXE4,SB,SBE,SH,SHE,SHE4,SJSJE,SN,SNE,SX,SXE,SXE4,SXQ4,VA,VAA,VAAE,VAE,VB,VBB,VBE,VBL,VBX,VBX1,VF,VGB,VH,VHE,VN,VNE,VX,VXE	
			-	(1)	-	(1)		



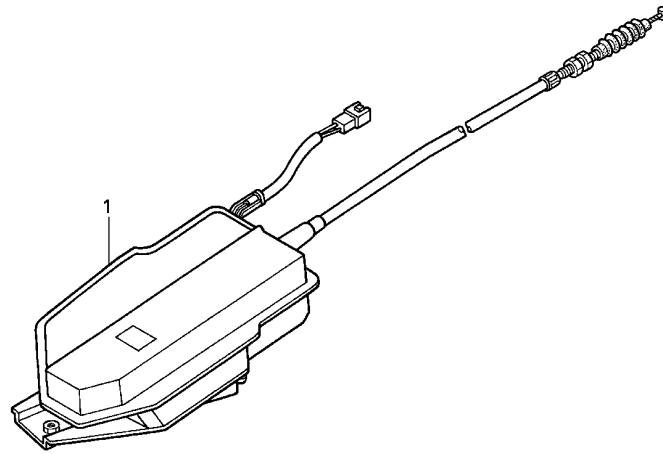
Ref. No.	Part No.	Description	Reqd. QTY				Serial No.	Parts catalogue code
			GD410		GD411			
			(1)	(2)	(1)	(2)		
57	94201-25150	PIN, SPLIT, 2.5X15	1	-	1	-	-----	EGY,LH,LHE,LJ,LJE,LTE,LTE1,LWD,PA,PAA,PH,PX,QA,QAA,QAAE,QAE,QB,QBE,QFE,QH,QHE,QHE4,QHQ4,QHX,QHX4,QN,QNE,QX,QXE,QXE4,SB,SBE,SH,SHE,SHE4,SJ,SJE,SN,SNE,SX,SXE,SXE4,SXQ4,VA,VAA,VAAE,VAE,VB,VBB,VBE,VBL,VBX,VBX1,VF,VGB,VH,VHE,VN,VNE,VX,VXE
58	94301-08140	DOWEL PIN, 8X14	-	(1)	-	(1)	-----	LH,LHE,LJ,LJE,PA,PAA,PH,PX,QA,QAA,QAAE,QAE,QB,QBE,QFE,QH,QHE,QHE4,QHQ4,QHX,QHX4,QN,QNE,QX,QXE,QXE4,SB,SBE,SH,SHE,SHE4,SJ,SJE,SN,SNE,SX,SXE,SXE4,SXQ4,VA,VAA,VAAE,VAE,VB,VBE,VBL,VBX1,VF,VGB,VH,VHE,VN,VNE,VX,VXE
59	94540-03010	E-RING, 3MM	1	-	1	-	-----	LH,LHE,LJ,LJE,PA,PAA,PH,PX,QA,QAA,QAAE,QAE,QB,QBE,QFE,QH,QHE,QHE4,QHQ4,QHX,QHX4,QN,QNE,QX,QXE,QXE4,SB,SBE,SH,SHE,SHE4,SJ,SJE,SN,SNE,SX,SXE,SXE4,SXQ4,VA,VAA,VAAE,VAE,VB,VBE,VBL,VBX1,VF,VGB,VH,VHE,VN,VNE,VX,VXE
60	94540-05010	E-RING, 5MM	1	-	1	-	-----	LTE,LTE1,LWD,SIE
			-	(N)	-	(N)	-----	
61	95701-06016-00	BOLT, FLANGE, 6X16	1	(2)	1	(2)	-----	PA,PAA,QA,QAA,QAAE,QAE,VA,VAA,VAAE,VAE
62	95701-06040-09	BOLT, FLANGE, 6X40	2	2	2	2	-----	PA,PAA,QA,QAA,QAAE,QAE,VA,VAA,VAAE,VAE
63	16727-ZJ7-930	COVER, LOCK	-	-	2	-	1005892	----- PA,PAA,QA,QAA,QAAE,QAE,VA,VAA,VAAE,VAE
64	90206-ZJ7-930	NUT, CAP, 6MM	-	-	1	-	1005892	----- LH,LHE,PH,PX,QB,QBE,QH,QHE,QX,QXE,SB,SBE,SH,SHE,SX,SXE,VB,VBB,VBE,VBL,VH,VHE,VX,VXE
65	90425-ZG5-000	WASHER, 6MM	-	-	1	-	1005891	----- PA,PAA,QA,QAA,QAAE,QAE,VA,VAA,VAAE,VAE
			-	-	2	-	1005892	----- PA,PAA,QA,QAA,QAAE,QAE,VA,VAA,VAAE,VAE
66	91352-SA5-952	O-RING, 7.8X1.9(NOK)	-	-	2	-	1005892	----- PA,PAA,QA,QAA,QAAE,QAE,VA,VAA,VAAE,VAE
67	90205-ZJ7-930	NUT, CAP, 6MM	-	-	1	-	1005892	----- PA,PAA,QA,QAA,QAAE,QAE,VA,VAA,VAAE,VAE



E-22-20

ENGINE STOP MOTOR

H12



ZG30-E2220

Service item	F.R.T.
MOTOR ASSY., ENGINE STOP .....	0.4

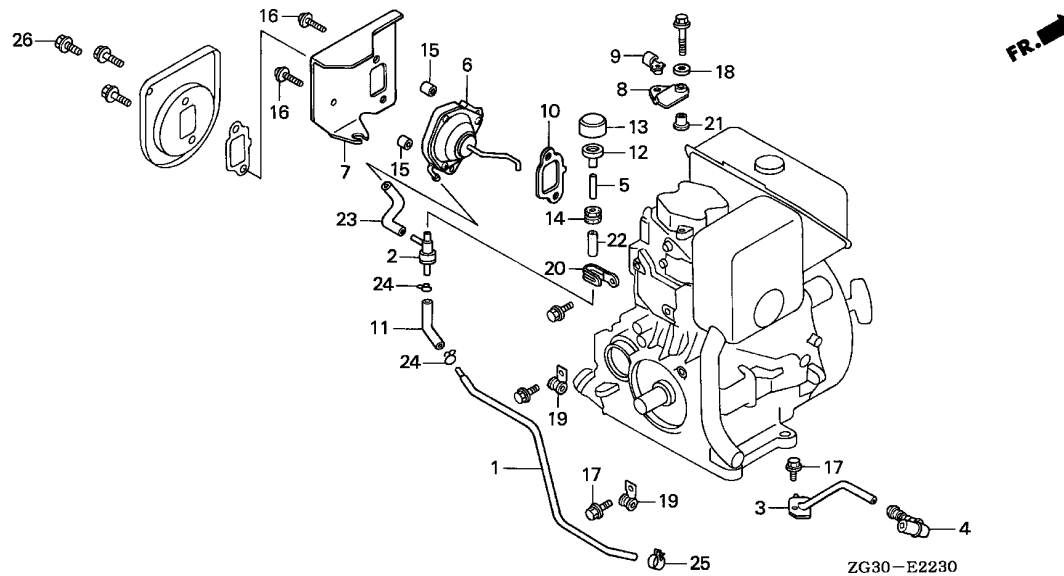
Ref. No.	Part No.	Description	Reqd. QTY				Serial No.	Parts catalogue code
			GD410		GD411			
			(1)	(2)	(1)	(2)		
1	36170-ZG3-611	MOTOR ASSY., ENGINE STOP .....	-	(1)	-	-	-----	L1,P1,Q1,S1,V1
			-	-	-	(1)		

2

# E-22-30

# DIAPHRAGM

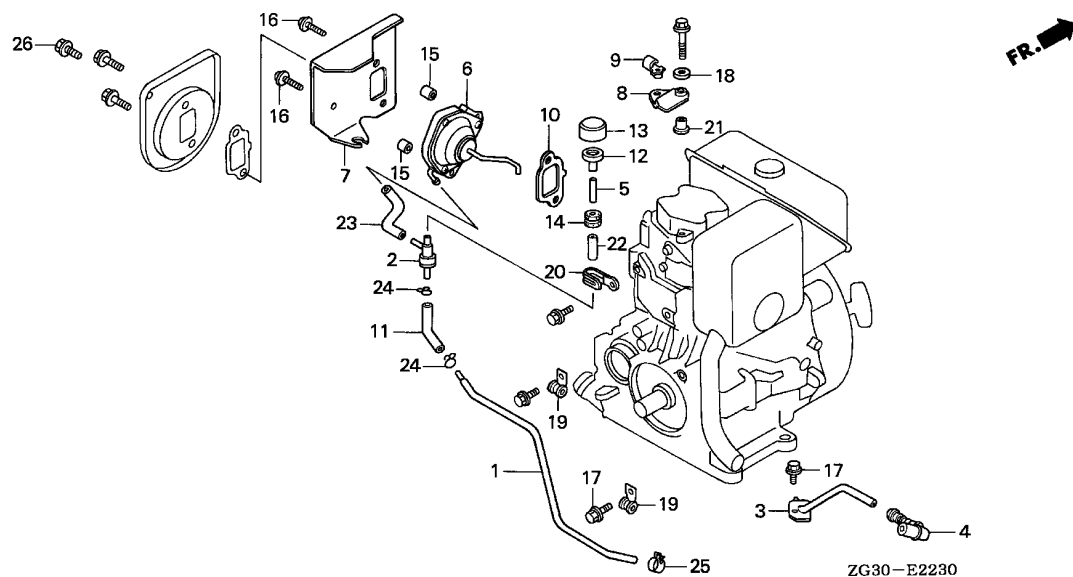
H13



Service item	F.R.T.
FILTER ASSY., SOLENOID VALVE	0.1
.PIPE, JOINT	
.TUBE, CHECK VALVE	
PACKING, AIR CLEANER	0.2
.STAY COMP., DIAPHRAGM	
.VALVE, CHECK	
DIAPHRAGM ASSY.	0.3

Ref. No.	Part No.	Description	Reqd. QTY				Serial No.	Parts catalogue code
			GD410		GD411			
			(1)	(2)	(1)	(2)		
1	12150-ZJ7-871	PIPE, JOINT	-	-	1	-	-----	QHX,QHX4,VBX,VBX1
2	15473-ZJ7-871	VALVE, CHECK	-	-	1	-	-----	QHX,QHX4,VBX,VBX1
3	15526-ZJ7-870	PIPE, OIL LEVEL	-	-	1	-	-----	QHX,QHX4,VBX,VBX1
4	15531-ZJ7-870	TUBE, OIL ALERT	-	-	1	-	-----	QHX,QHX4,VBX,VBX1
5	15537-ZJ7-870	ORIFICE, AIR PATH	-	-	1	-	-----	QHX,QHX4,VBX,VBX1
6	16020-ZJ7-871	DIAPHRAGM ASSY.	-	-	1	-	-----	QHX,QHX4,VBX,VBX1
7	16031-ZJ7-870	STAY COMP., DIAPHRAGM	-	-	1	-	-----	QHX,QHX4,VBX,VBX1
8	16032-ZJ7-871	LEVER, DIAPHRAGM	-	-	1	-	-----	QHX,QHX4,VBX,VBX1
9	16263-ZJ7-871	ROD, JOINT	-	-	1	-	-----	QHX,QHX4,VBX,VBX1
10	17228-ZG3-800	PACKING, AIR CLEANER (NON ASBEST)	-	-	1	-	-----	QHX,QHX4,VBX,VBX1
11	17315-PN3-000	TUBE, CHECK VALVE	-	-	1	-	-----	QHX,QHX4,VBX,VBX1
12	36138-PA0-004	FILTER ASSY., SOLENOID VALVE	-	-	1	-	-----	QHX,QHX4,VBX,VBX1
13	38776-671-000	CAP, AIR FILTER	-	-	1	-	-----	QHX,QHX4,VBX,VBX1

2



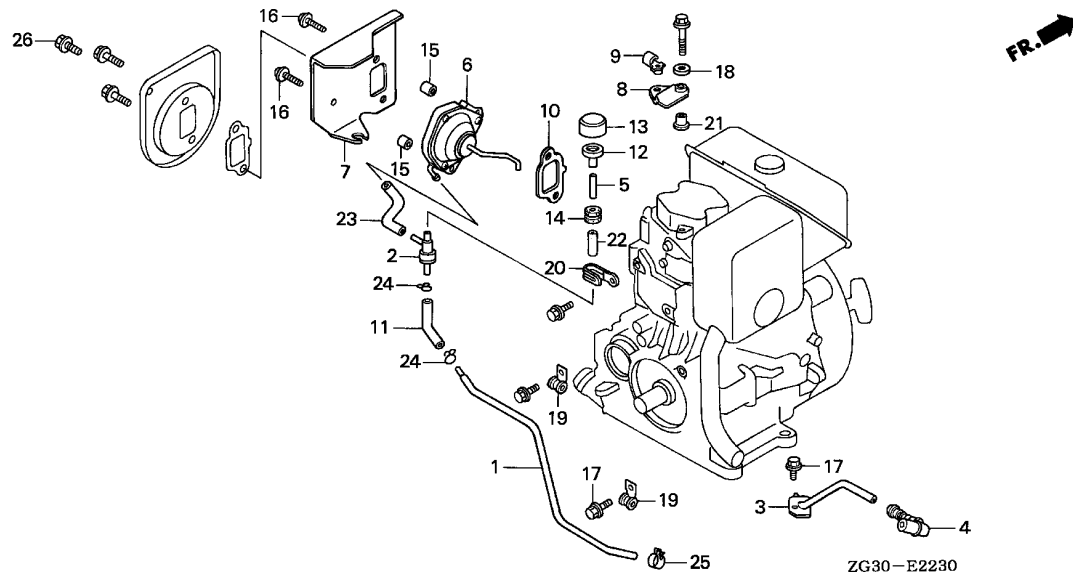
ZG30-E2230

Ref. No.	Part No.	Description	Reqd. QTY				Serial No.	Parts catalogue code	
			GD410		GD411				
			(1)	(2)	(1)	(2)			
14	53133-KR1-760	GROMMET, IGNITION COVER .....	-	-	1	-	-----	QHX,QHX4,VBX,VBX1	
15	84705-310-000	COLLAR, RR. FENDER .....	-	-	2	-	(1)	-----	QHX,QHX4,VBX,VBX1
			-	-	-	-	(2)		
16	90005-896-000	BOLT, FLANGE, 5X16 .....	-	-	2	-	-----	QHX,QHX4,VBX,VBX1	
			-	-	-	-	(2)		
17	90013-883-000	BOLT, FLANGE, 6X12(CT200) ...	-	-	2	-	-----	QHX,QHX4,VBX,VBX1	
			-	-	-	-	(2)		
18	90401-ZJ7-871	WASHER, DIAPHRAGM LEVER .....	-	-	1	-	-----	QHX,QHX4,VBX,VBX1	
			-	-	-	-	(1)		
19	90684-ZV4-003	CLIP, CORD .....	-	-	2	-	-----	QHX,QHX4,VBX,VBX1	
			-	-	-	-	(2)		
20	91410-679-000	CLIP, 2X60 .....	-	-	1	-	-----	QHX,QHX4,VBX,VBX1	
			-	-	-	-	(1)		
21	91501-ZJ7-871	COLLAR, DIAPHRAGM LEVER .....	-	-	1	-	-----	QHX,QHX4,VBX,VBX1	
			-	-	-	-	(1)		
22	95001-35025-40	TUBE, FUEL, 3.5X25 (95001-35001-60M)	-	-	1	-	-----	QHX,QHX4,VBX,VBX1	
			-	-	-	-	(1)		
23	95001-35090-40	TUBE, FUEL, 3.5X90 (95001-35001-60M)	-	-	1	-	-----	QHX,QHX4,VBX,VBX1	
			-	-	-	-	(1)		
24	95002-02070	CLIP, TUBE (B7) .....	-	-	2	-	-----	QHX,QHX4,VBX,VBX1	
			-	-	-	-	(2)		
25	95002-41300-08	CLAMP, TUBE (D13) .....	-	-	1	-	-----	QHX,QHX4,VBX,VBX1	
			-	-	-	-	(1)		

E-22-30

DIAPHRAGM

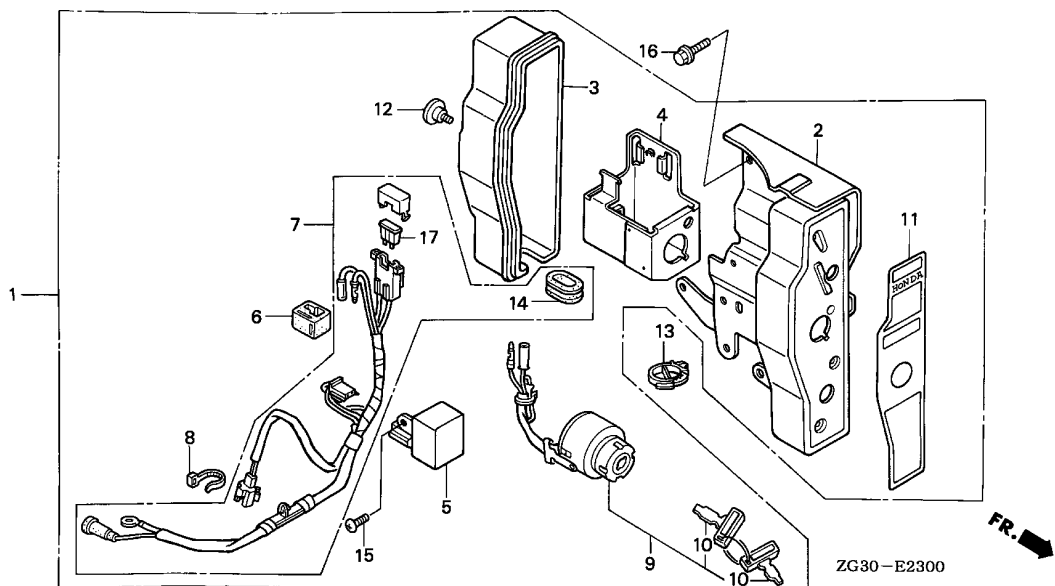
H15



Ref. No.	Part No.	Description	Reqd. QTY		Serial No.	Parts catalogue code
			GD410 (1) (2)	GD411 (1) (2)		
26	95701-06012-08	BOLT, FLANGE, 6X12 .....	-	1	-----	QHX,QHX4,VBX,VBX1
			-	(1)		

2





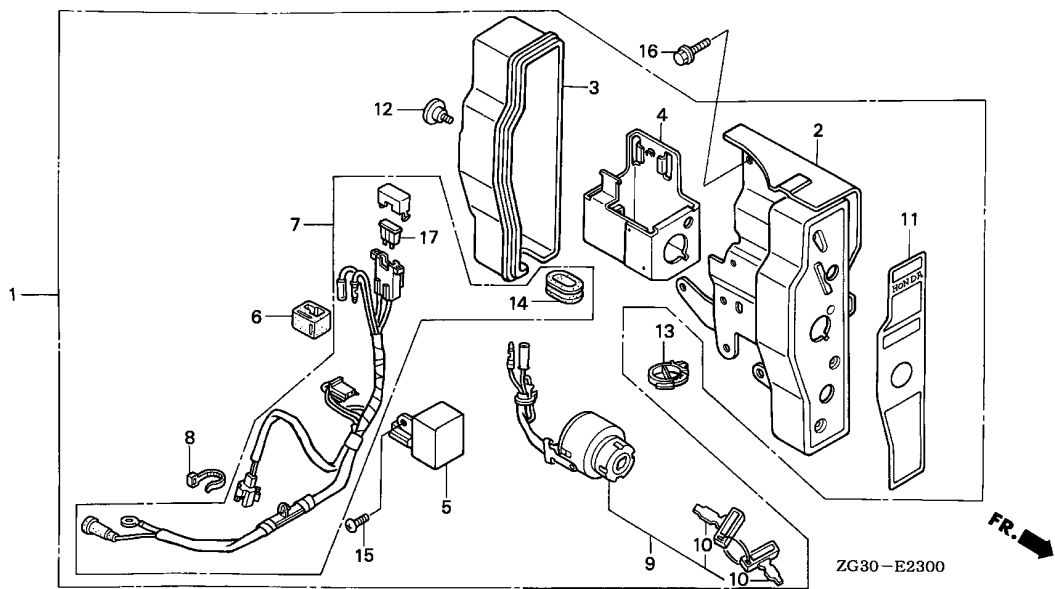
Service item	F.R.T.
BOX ASSY., CONTROL .....	0.1
.FUSE, BLADE .....	0.2
RECTIFIER COMP., SILICON .....	0.3
.SWITCH ASSY., COMBINATION .....	0.4
PANEL COMP., CONTROL .....	
HARNESS ASSY., CONTROL WIRE ..	



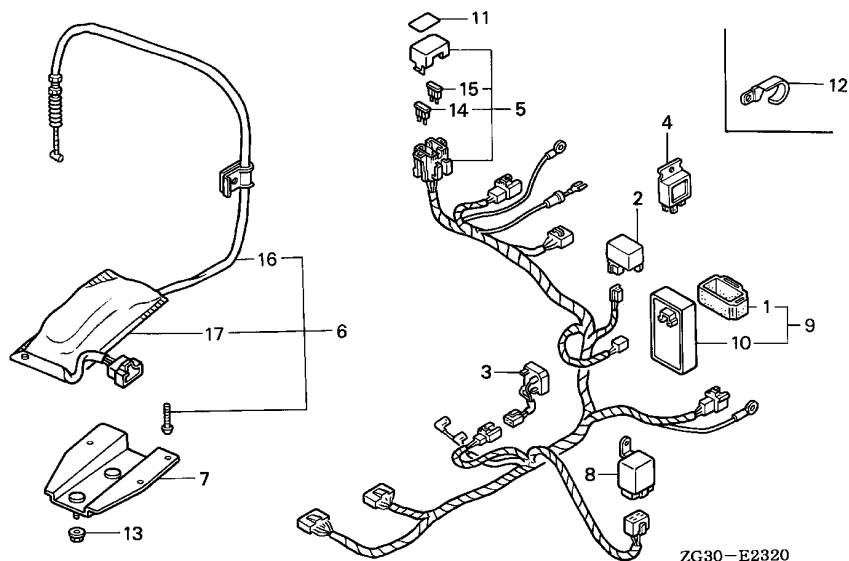
Ref. No.	Part No.	Description	Reqd. QTY				Serial No.	Parts catalogue code
			GD410		GD411			
			(1)	(2)	(1)	(2)		
1	31400-ZG3-811ZA	BOX ASSY., CONTROL (EXTERNAL) *NH116M*URBAN SILVER METALLIC	1	-	-	-	-----	QNE,SNE,VNE
			1	-	-	-	1009448	QAE,QFE,QHE,QXE,SHE,SXE,VHE,VXE
			1	-	-	-	1009574	QBE,SBE,VBE
			1	-	-	-	1009731	LHE
	31400-ZG3-812ZA	*NH116M*URBAN SILVER METALLIC	1	-	1	-	-----	QAAE,VAAE,VAE
			1	-	-	-	1009449	QAE,QFE,QHE,QXE,SHE,SXE,VHE,VXE
			1	-	-	-	1009575	QBE,SBE,VBE
			1	-	-	-	1009732	LHE
			-	-	1	-	-----	LHE,QAE,QHE,QXE,SHE,SXE,VHE,VXE
			-	-	1	-	1003487	QBE,SBE,VBE
			-	-	-	(1)	-----	
	31400-ZG3-W41ZA	*NH116M*URBAN SILVER METALLIC	-	-	1	-	-----	QHE4,QXE4,SHE4,SXE4
			-	-	1	-	1003488	QBE,SBE,VBE
	31400-ZG3-801ZA	BOX ASSY., CONTROL (INTERNAL) *NH116M*URBAN SILVER METALLIC	1	-	-	-	1009604	SJE
			1	-	-	-	1010267	LJE
			-	(1)	-	-	1009604	
	31400-ZG3-802ZA	*NH116M*URBAN SILVER METALLIC	1	-	-	-	1009605	SJE
			1	-	-	-	1010268	LJE
			-	(1)	-	-	1009605	
			-	-	1	-	-----	LJE,SJE
			-	-	-	(1)	-----	
2	31420-ZG3-801ZB	PANEL COMP., CONTROL *NH116M*URBAN SILVER METALLIC	1	-	1	-	-----	LHE,QAAE,QAE,QBE,QFE,QHE,QHE4,QNE,QXE,QXE4,SBE,SHE,SHE4,SNE
			1	-	1	-	-----	SXE,SXE4,VAAE,VAE,VBE,VHE,VNE,VXE
	31420-ZG3-801ZA	*R8*.....BRIGHT RED	1	-	1	-	-----	LJE,SJE
			-	(1)	-	(1)	-----	

Ref. No.	Part No.	Description	Reqd. QTY		Serial No.	Parts catalogue code	
			GD410 (1)	GD411 (2)			
3	31612-ZE2-003	CASE, CONTROL .....	1	-	1	LHE, LJE, QAAE, QAE, QBE, QFE, QHE, QHE4, QNE, QXE, QXE4, SBE, SHE, SHE4, SJE, SNE, SXE, SXE4, VAAE, VAE, VBE, VHE, VNE, VXE	
			-	(1)	-	(1)	
4	31614-ZE2-003	BRACKET, CASE MOUNTING .....	1	-	1	LHE, LJE, QAAE, QAE, QBE, QFE, QHE, QHE4, QNE, QXE, QXE4, SBE, SHE, SHE4, SJE, SNE, SXE, SXE4, VAAE, VAE, VBE, VHE, VNE, VXE	
			-	(1)	-	(1)	
5	31700-ZG3-801	RECTIFIER COMP., SILICON ....	1	-	1	LHE, LJE, LWD, QAAE, QAE, QBE, QFE, QHE, QHE4, QNE, QXE, QXE4, SBE, SHE, SHE4, SJE, SNE, SXE, SXE4, VAAE, VAE, VBE, VHE, VNE, VXE	
			-	(1)	-	(1)	
			-	-	1	1018349 LTE	
6	32127-738-700	SUSPENSION, COUPLER .....	1	-	1	LHE, LJE, QAAE, QAE, QBE, QFE, QHE, QHE4, QNE, QXE, QXE4, SBE, SHE, SHE4, SJE, SNE, SXE, SXE4, VAAE, VAE, VBE, VHE, VNE, VXE	
			-	(1)	-	(1)	
7	32150-ZG3-800	HARNESS ASSY., CONTROL WIRE .	1	-	1	LHE, LJE, LWD, QAAE, QAE, QBE, QFE, QHE, QHE4, QNE, QXE, QXE4, SBE, SHE, SHE4, SJE, SNE, SXE, SXE4, VAAE, VAE, VBE, VHE, VNE, VXE	
			-	(1)	-	(1)	
8	32902-892-003	BAND .....	1	-	1	LHE, LJE, QAAE, QAE, QBE, QFE, QHE, QHE4, QNE, QXE, QXE4, SBE, SHE, SHE4, SJE, SNE, SXE, SXE4, VAAE, VAE, VBE, VHE, VNE, VXE	
			-	(1)	-	(1)	
9	35100-ZG3-801	SWITCH ASSY., COMBINATION ...	1	-	-	QNE, SNE, VNE	
			1	-	-	1009448 LJE, QAE, QFE, QHE, QXE, SHE, SJE, SXE, VHE, VXE	
			1	-	-	1009574 QBE, SBE, VBE	
			1	-	-	1009731 LHE	
			-	(1)	-	1009448	
	35100-ZG3-802	.....	1	-	1	QAAE, QHE4, QXE4, SHE4, SXE4, VAAE, VAE	
			1	-	-	1009449 LJE, QAE, QFE, QHE, QXE, SHE, SJE, SXE, VHE, VXE	
			1	-	-	1009575 QBE, SBE, VBE	
			1	-	-	1009732 LHE	
			-	(1)	-	1009449	
			-	-	1	LHE, LJE, QAE, QBE, QHE, QXE, SBE, SHE, SJE, SXE, VBE, VHE, VXE	
			-	-	-	(1)	
10	35111-880-003	KEY COMP. ....	2	-	2	LHE, LJE, QAAE, QAE, QBE, QFE, QHE, QHE4, QNE, QXE, QXE4, SBE, SHE, SHE4, SJE, SNE, SXE, SXE4, VAAE, VAE, VBE, VHE, VNE, VXE	
			-	(2)	-	(2)	
11	87529-ZG3-810	MARK, CONTROL BOX (EXTERNAL)	1	-	1	LHE, QAAE, QAE, QFE, QHE, QNE, QXE, SHE, SNE, SXE, VAAE, VAE, VHE, VNE, VXE	
			1	-	-	QBE, SBE, VBE	
			-	-	1	1002536 SBE, VBE	
			-	-	1	1003487 QBE	
	87529-ZH8-W40	MARK, CONTROL BOX (ENGLISH) .	-	-	1	QHE4, QXE4, SHE4, SXE4	
			-	-	1	1002537 SBE, VBE	
			-	-	1	1003488 QBE	
	87529-ZG3-800	MARK, CONTROL BOX (INTERNAL)	1	-	1	LJE, SJE	
			-	(1)	-	(1)	
	87529-ZG3-810	MARK, CONTROL BOX (EXTERNAL)	-	-	-	(1)	
12	90380-MA6-010	SCREW, SPECIAL, 6X12 .....	1	-	1	LHE, LJE, QAAE, QAE, QBE, QFE, QHE, QHE4, QNE, QXE, QXE4, SBE, SHE, SHE4, SJE, SNE, SXE, SXE4, VAAE, VAE, VBE, VHE, VNE, VXE	
			-	(1)	-	(1)	
13	90684-ZA0-601	CLIP, HARNESS .....	1	-	1	LHE, LJE, QAAE, QAE, QBE, QFE, QHE, QHE4, QNE, QXE, QXE4, SBE, SHE, SHE4, SJE, SNE, SXE, SXE4, VAAE, VAE, VBE, VHE, VNE, VXE	
			1	-	-	LWD	
			-	(1)	-	(1)	
14	91601-ZG3-801	GROMMET, WIRE HARNESS .....	1	-	1	LHE, LJE, LWD, QAAE, QAE, QBE, QFE, QHE, QHE4, QNE, QXE, QXE4, SBE, SHE, SHE4, SJE, SNE, SXE, SXE4, VAAE, VAE, VBE, VHE, VNE, VXE	
			-	(1)	-	(1)	





Ref. No.	Part No.	Description	Reqd. QTY				Serial No.	Parts catalogue code
			GD410		GD411			
			(1)	(2)	(1)	(2)		
15	93500-06012-0H	SCREW, PAN, 6X12	1	-	1	-	LHE,LJE,QAAE,QAE,QBE,QFE,QHE,QHE4,QNE,QXE,QXE4,SBE,SHE,SHE4 SJE,SNE,SXE,SXE4,VAAE,VAE,VBE,VHE,VNE,VXE	
			-	(1)	-	(1)		
16	95701-06016-00	BOLT, FLANGE, 6X16	2	-	2	-	LHE,LJE,QAAE,QAE,QBE,QFE,QHE,QHE4,QNE,QXE,QXE4,SBE,SHE,SHE4 SJE,SNE,SXE,SXE4,VAAE,VAE,VBE,VHE,VNE,VXE	
			2	-	-	-	LWD	
			-	(2)	-	(2)		
17	98200-31500	FUSE, BLADE (15A)	1	-	1	-	LHE,LJE,LWD,QAAE,QAE,QBE,QFE,QHE,QHE4,QNE,QXE,QXE4,SBE,SHE SHE4,SJE,SNE,SXE,SXE4,VAAE,VAE,VBE,VHE,VNE,VXE	
			-	(1)	-	(1)		

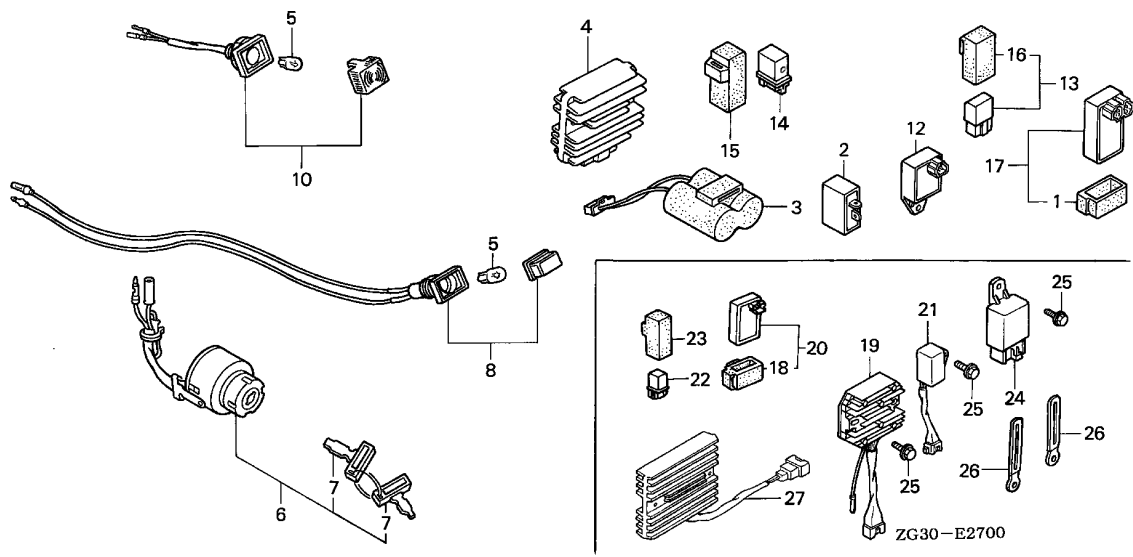


ZC30-E2320

Service item	F.R.T.
DIODE ASSY. ....	0.1
.DIODE COMP., D.C.	
.RECTIFIER COMP., SILICON	
.RELAY ASSY., POWER	
ALERT UNIT, OIL .....	0.2
MOTOR ASSY., ENGINE STOP .....	0.3
HARNESS ASSY., SUB WIRE .....	0.8

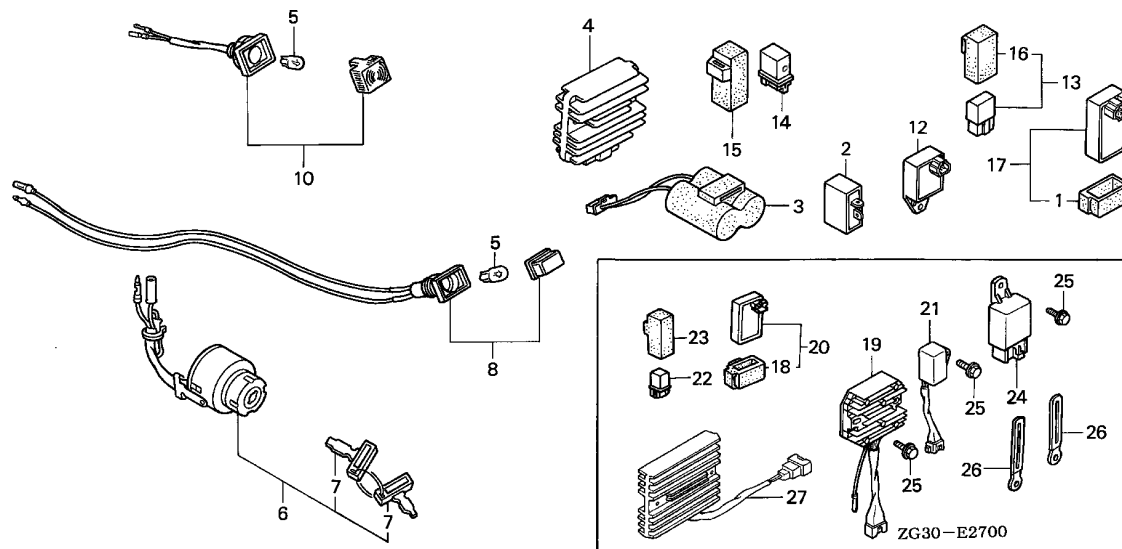
Ref. No.	Part No.	Description	Reqd. QTY		Serial No.	Parts catalogue code
			GD410 (1) (2)	GD411 (1) (2)		
1	30401-VM0-000	CUSHION, C.D.I. UNIT .....	1	- 1	-----	EGY
2	31700-ZC8-003	RECTIFIER COMP., SILICON ....	1	- 1	-----	EGY
3	31710-ZC8-003	DIODE ASSY. ....	1	- 1	-----	EGY
4	31720-ZB4-003	DIODE COMP., D.C. ....	1	- 1	-----	EGY
5	32100-ZC8-000	HARNESS ASSY., SUB WIRE .....	1	- 1	-----	EGY
6	36170-ZC8-023	MOTOR ASSY., ENGINE STOP .....	1	- 1	-----	EGY
7	36173-ZC6-003	BRACKET, THROTTLE MOTOR .....	1	- 1	-----	EGY
8	38360-ZC6-003	RELAY ASSY., POWER (5P) .....	1	- 1	-----	EGY
9	38520-ZC8-003	ALERT UNIT, OIL .....	1	- 1	-----	EGY
10	38521-ZC8-003	ALERT UNIT, OIL .....	1	- 1	-----	EGY
11	87117-ZC8-A00	MARK, FUSE (J) .....	1	- 1	-----	EGY
12	91406-729-000	CLIP, HEAD .....	30	- -	1016862	EGY
13	94050-08080	NUT, FLANGE, 8MM .....	2	- 2	-----	EGY
14	98200-30750	FUSE, BLADE (7.5A) .....	1	- 1	-----	EGY
15	98200-31500	FUSE, BLADE (15A) .....	1	- 1	-----	EGY
16	36171-ZC8-003	CABLE ASSY., MOTOR .....	-	- 1	1002579	EGY
17	36172-ZC8-003	COVER, MOTOR .....	-	- 1	1002579	EGY





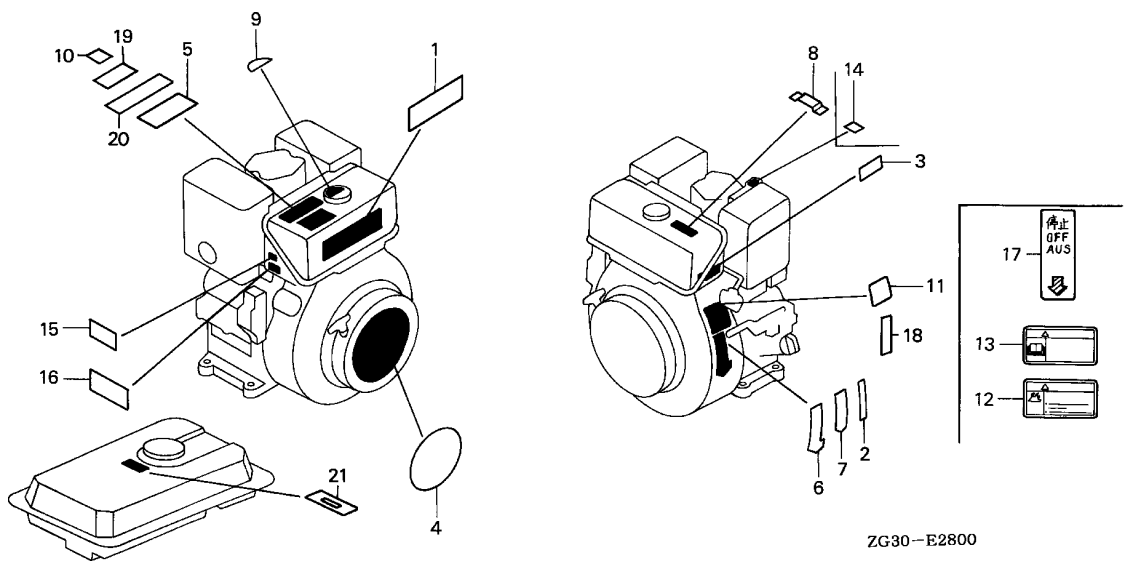
Service item	F.R.T.
ALERT UNIT, OIL .....	0.2
.BULB, WEDGE BASE	
.CONDENSER UNIT	
.CONTROL ASSY., SOLENOID	
.CONTROL UNIT, CHARGE LAMP	
.CONTROL UNIT, HEATER	
.RECTIFIER, SILICON	
.RELAY ASSY., POWER	
.RELAY ASSY., STARTER	
.RELAY COMP., STARTER	
.SOCKET ASSY., LAMP	
.SWITCH ASSY., COMBINATION	
RECTIFIER ASSY., REGULATOR ...	0.3

Ref. No.	Part No.	Description	Reqd. QTY				Serial No.	Parts catalogue code
			GD410		GD411			
			(1)	(2)	(1)	(2)		
1	30401-VM0-000	CUSHION, C.D.I. UNIT .....	-	(1)	-	-	-----	L1,P1,Q1,S1,V1
2	31600-ZE2-861	RECTIFIER ASSY., REGULATOR (10A)	-	(1)	-	(1)		
3	31700-KZ9-000	CONDENSER UNIT .....	-	(1)	-	-	-----	L1,P1,Q1,S1,V1
4	31710-371-008	RECTIFIER, SILICON (SHINDENGEN)	-	(1)	-	(1)		
5	34908-GE0-701	BULB, WEDGE BASE (12V/2W) ...	-	(N)	-	-	-----	L1,P1,Q1,S1,V1
6	35100-ZG3-801 35100-ZG3-802	SWITCH ASSY., COMBINATION ...	-	(1)	-	-	-----	1009448 1009449
7	35111-880-003	KEY COMP. ....	-	(2)	-	(2)		
8	37570-ZA0-801	SOCKET ASSY., LAMP (RED) ....	-	(1)	-	-	-----	L1,P1,Q1,S1,V1
10	37580-ZG5-801	SOCKET ASSY., LAMP (ORANGE) -	-	(1)	-	-	-----	L1,P1,Q1,S1,V1
12	38420-ZG3-611	CONTROL UNIT, HEATER .....	-	(1)	-	-	-----	L1,P1,Q1,S1,V1
13	38500-766-003	RELAY ASSY., POWER (5P) .....	-	(1)	-	-	-----	L1,P1,Q1,S1,V1
14	38501-KG8-004	RELAY COMP., STARTER (OMRON)	-	(1)	-	-	-----	L1,P1,Q1,S1,V1
15	38506-KG8-004	SUSPENSION, STARTER RELAY (OMRON)	-	(1)	-	-	-----	L1,P1,Q1,S1,V1



Ref. No.	Part No.	Description	Reqd. QTY		Serial No.	Parts catalogue code	
			GD410 (1) (2)	GD411 (1) (2)			
16	38506-766-003	SUSPENSION, RELAY .....	-	(1)	-	L1,P1,Q1,S1,V1	
17	38520-ZG3-611	ALERT UNIT, OIL .....	-	(1)	-	L1,P1,Q1,S1,V1	
18	30401-VM0-000	CUSHION, C.D.I. UNIT .....	1	-	1	LTE,LTE1,LWD	
19	31750-ZG3-901	RECTIFIER ASSY., REGULATOR (12V 16A)	1	-	1	SIE	
20	34720-ZG4-911	CONTROL ASSY., SOLENOID .....	1	-	1	LTE,LTE1,LWD	
21	37710-ZG3-901	CONTROL UNIT, CHARGE LAMP ...	1	-	1	SIE	
22	38501-KG8-004	RELAY COMP., STARTER (OMRON)	1	-	1	LTE,LTE1,LWD	
23	38506-KG8-004	SUSPENSION, STARTER RELAY (OMRON)	1	-	1	LTE,LTE1,LWD	
24	38510-ZG3-901	RELAY ASSY., STARTER .....	1	-	1	SIE	
25	90011-ZG0-000	BOLT, FLANGE, 6X8 .....	4	-	4	SIE	
26	91413-679-000	CLIP, 2X70 .....	2	-	2	SIE	
27	31620-ZG5-003	RECTIFIER ASSY., REGULATOR (20A)	-	-	1	LTE1	
			-	-	1	1018350	LTE





ZG30-E2800

Service item	F.R.T.
NOT INFORMATION .....	-

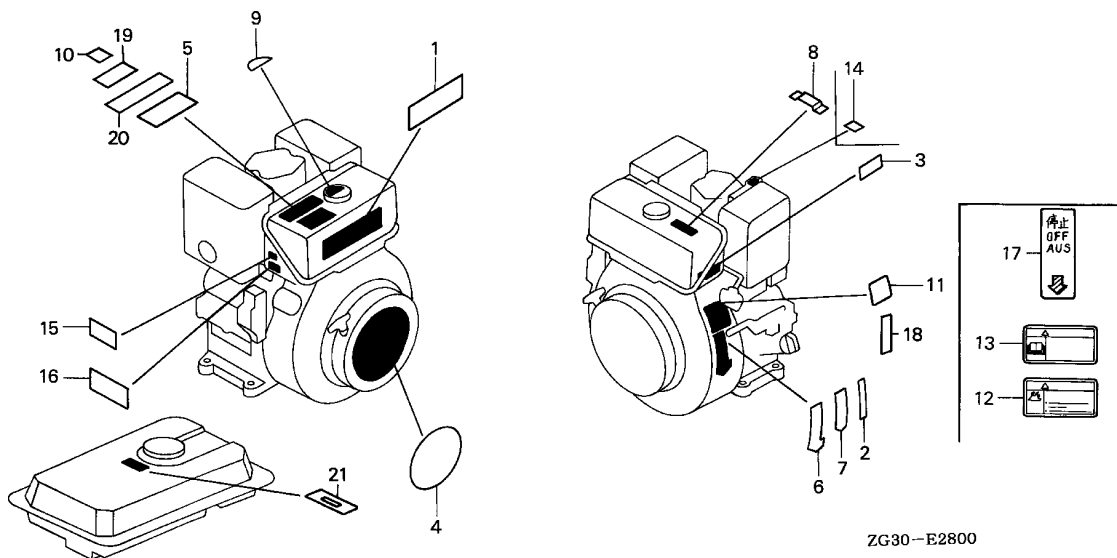
Ref. No.	Part No.	Description	Reqd. QTY		Serial No.	Parts catalogue code
			GD410 (1) (2)	GD411 (1) (2)		
1	87101-ZG3-000	EMBLEM (GD410) .....	1	-	-	LH,LHE,LJ,LJE,LWD,PA,PAA,PH,PX,QA,QAA,QAAE,QAE,QB,QBE,QFE,QH,QHE,QN,QNE,QX,QXE,SB,SBE,SH,SHE,SJ,SJE,SN,SNE,SX,SXE,VA,VAA,VAE,VAE,VB,VBE,VBL,VF,VH,VHE,VN,VNE,VX,VXE
	87101-ZJ7-000	EMBLEM (GD411) .....	-	(1)	-	LH,LHE,LJ,LJE,LTE,LTE1,LWD,PA,PAA,PH,PX,QA,QAA,QAAE,QAE,QB,QBE,QH,QHE,QHE4,QHQ4,QHX,QHX4,QX,QXE,QXE4,SB,SBE,SH,SHE,SHE4,SJ,SJE,SX,SXE,SXE4,SXQ4,VA,VAA,VAE,VAE,VB,VBE,VBL,VBX1,VGB,VH,VHE,VX,VXE
	87551-ZV4-000	MARK, FR. (HONDA) .....	-	-	(1)	VBB,VBX
2	87104-ZA7-630ZC	MARK, ENGINE SWITCH *TWHITE*.....WHITE	-	-	1 (1)	E1,VBB
			-	-	2	VBX
	87104-ZA7-630ZA	*NHO*.....CHAMPIONSHIP WHITE	1	-	-	VBB
3	87152-ZJ7-840	LABEL, SPECIFICATION (EXP-3000RPM)	-	-	(1)	E1,P1,Q1,S1,V1
	87152-ZJ7-810	LABEL, SPECIFICATION (L-TYPE EXP)	-	-	1 (1)	LH,LHE,LTE1,L1
	87152-ZJ7-000	LABEL, SPECIFICATION (EXP-3600RPM)	-	(1)	(1)	PA,PAA,PH,PX,QA,QAA,QAAE,QAE,QH,QHE,QHE4,QHQ4,QHX,QHX4,QX,QXE,QXE4,SH,SHE,SHE4,SX,SXE,SXE4,SXQ4,VA,VAA,VAE,VAE,VH,VHE,VX,VXE
	87152-ZJ7-830	LABEL, SPECIFICATION (EEC) ..	-	-	1	QB,QBE,SB,SBE,VB,VBB,VBE,VBL,VBX,VBX1,VGB

2

Ref. No.	Part No.	Description	Reqd. QTY		Serial No.	Parts catalogue code	
			GD410 (1) (2)	GD411 (1) (2)			
4	87521-ZG3-000	PLATE, EMBLEM .....	1	-	1	-	LJ,LJE,QHE4,QHQ4,QHX,QHX4,QXE4,SHE4,SJ,SJE,SXE4,SXQ4,VBL,VBX VBX1,VGB LWD
			1	-	-	-	LH,LHE,PA,PAA,PH,PX,QA,QAA,QAAE,QAE,QB,QBE,QH,QHE,QX,QXE,SB SBE,SH,SHE,SX,SXE,VA,VAA,VAAE,VAE,VB,VBB,VBE,VH,VHE,VX,VXE
			-	(1)	-	(1)	
			-	-	1	-	
5	87522-ZG3-000	LABEL, CAUTION (JAPANESE) (ENGLISH)	1	(1)	1	(1)	E1,P1,Q1,SJ,SJE,S1,V1
	87522-ZG3-810	LABEL, CAUTION (L-TYPE/J.E)	1	(1)	1	(1)	LJ,LJE,LTE,LWD,L1
	87522-ZG3-840	LABEL, CAUTION (JAPANESE/ENGLISH) (3000RPM)	-	(1)	-	(1)	E1,P1,Q1,S1,V1
	87522-ZG3-800	LABEL, CAUTION (ENGLISH) (FRENCH) (GERMAN) (SPANISH)	1	-	-	(1)	E1,PA,PAA,PH,PX,QA,QAA,QAAE,QAE,QFE,QH,QHE,QX,QXE,SH,SHE,SX SXE,VA,VAA,VAAE,VAE,VF,VH,VHE,VX,VXE
	87522-ZG3-850	LABEL, CAUTION (E.F.G.S-3000RPM)	-	-	-	(1)	E1
	87522-ZG3-820	LABEL, CAUTION (L-TYPE/E.F.G.S)	1	-	-	-	LH,LHE
	87522-ZG3-830	LABEL, CAUTION (EEC) .....	1	-	-	-	QB,QBE,QN,QNE,SB,SBE,SN,SNE,VB,VBB,VBE,VBL,VN,VNE
6	87532-ZG3-000	MARK, THROTTLE (JAPANESE) ...	1	-	1	-	LJ,LJE,LTE,LWD,SJ,SJE
			-	(1)	-	(1)	
	87532-ZG3-800	MARK, THROTTLE (ENGLISH) ....	1	-	1	-	LH,LHE,PA,PAA,PH,PX,QA,QAA,QAAE,QAE,QFE,QH,QHE,QHX,QN,QNE,QX QXE,SB,SH,SHE,SN,SNE,SX,SXE,VA,VAA,VAAE,VAE,VF,VH,VHE,VN,VNE VX,VXE
			1	-	-	-	QB,QBE,SBE,VB,VBE,VBL
			-	-	1	-	1002350 SBE,VB,VBE,VBX1,VGB
			-	-	1	-	1002506 QB,QBE,VBL
			-	-	-	(1)	
	87532-ZG3-W40	.....	-	-	1	-	LTE1,QHE4,QHQ4,QHX4,QXE4,SHE4,SXE4,SXQ4
			-	-	1	-	1002351 SBE,VB,VBE,VBX1,VGB
			-	-	1	-	1002507 QB,QBE,VBL
7	87532-ZG3-810	MARK, THROTTLE (1-LEVER) (JAPANESE)	-	(1)	-	-	1010177 P1,Q1,S1,V1
	87532-ZG3-811	.....	-	(1)	-	-	E1,L1
			-	(1)	-	-	1010178 P1,Q1,S1,V1
			-	-	-	(1)	
	87532-ZG3-820	MARK, THROTTLE (1-LEVER) (ENGLISH)	-	(1)	-	-	E1,L1
			-	(1)	-	-	1010177 P1,Q1,S1,V1
			-	-	-	(1)	
	87532-ZG3-821	.....	-	(1)	-	-	E1,L1
			-	(1)	-	-	1010178 P1,Q1,S1,V1
			-	-	-	(1)	
8	87565-ZG3-800	MARK, FUEL (JAPANESE) .....	1	-	1	-	LTE,LWD
	87565-ZG3-810	MARK, FUEL (EXTERNAL) .....	1	-	1	-	PA,PAA,PX,QAA,QAAE,QFE,QX,QXE,SX,SXE,VA,VAA,VAAE,VAE,VF,VGB,VX VXE
			1	-	-	-	1009311 QA,QAE
			-	-	1	-	QA,QAE
			-	-	-	(1)	
	87565-ZE2-A01	MARK, FUEL (INTERNAL) .....	-	-	1	-	LTE1,QXE4,SXE4,SXQ4
9	87592-ZG3-000	MARK, USE FUEL (JAPANESE) ...	1	(1)	1	-	E1,LJ,LJE,LTE,LWD,L1
			1	(1)	-	-	1000475 P1,Q1,SJ,SJE,S1,V1
			-	-	1	-	SJ,SJE
			-	-	-	(1)	

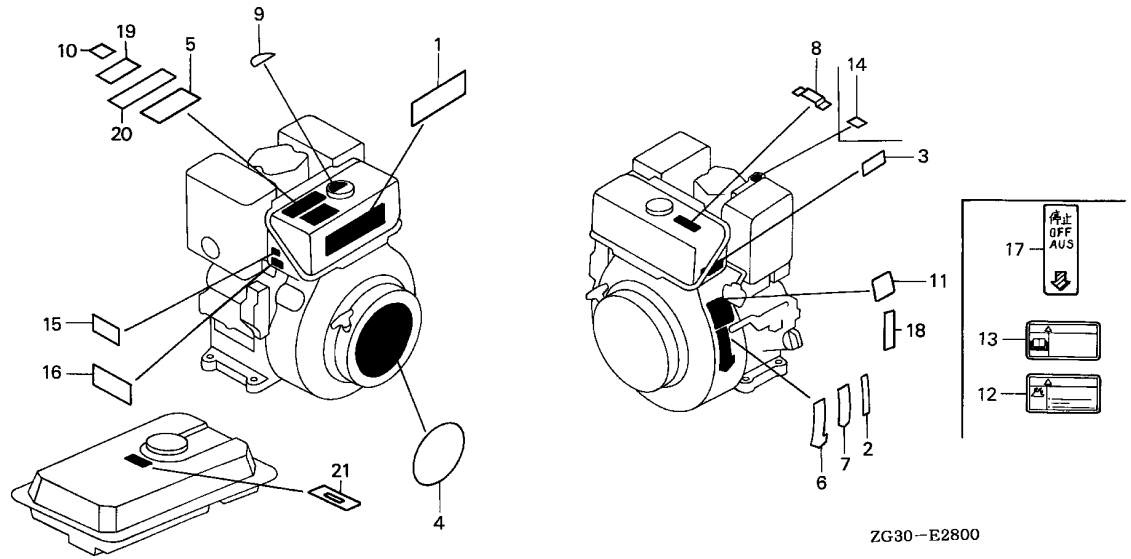






2

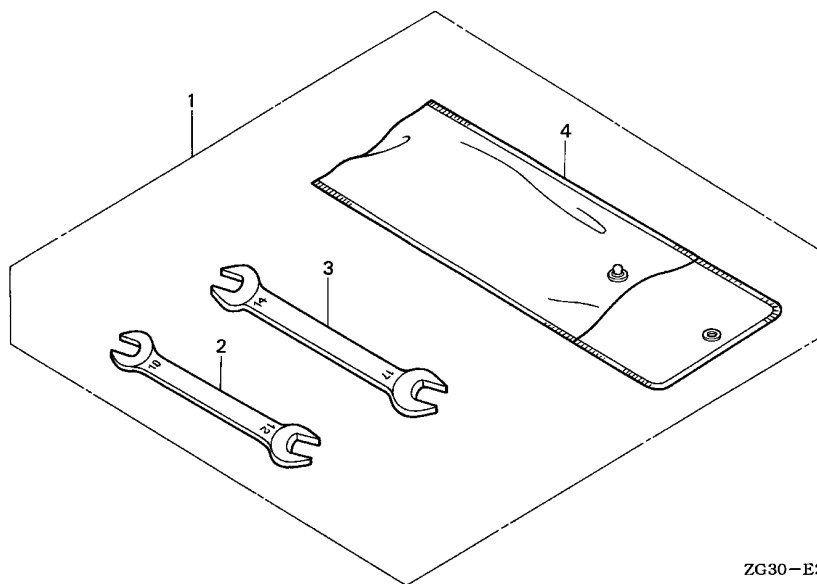
Ref. No.	Part No.	Description	Reqd. QTY		Serial No.	Parts catalogue code	
			GD410 (1) (2)	GD411 (1) (2)			
(9)	87592-ZG3-800	MARK, USE FUEL (ENGLISH) ....	1	-	1	-	LH,LHE,LTE1,PA,PAA,QAA,QAAE,QB,QBE,QHE4,QHQ4,QHX,QHX4,QN,QNE,QXE4,SB,SBE,SHE4,SN,SNE,SXE4,SXQ4,VA,VAA,VAAE,VAE,VB,VBB,VBE,VBL,VBX,VBX1,VGB,VN,VNE
			1	-	-	1000114	PH,PX,QA,QAE,QFE,QH,QHE,QX,QXE,SH,SHE,SX,SXE,VF,VH,VHE,VX,VXE
			-	-	1	-	PH,PX,QA,QAE,QH,QHE,QX,QXE,SH,SHE,SX,SXE,VH,VHE,VX,VXE
10	87592-737-610	LABEL, FIRE CAUTION .....	-	-	1	-	LH,LHE,PA,PAA,PH,PX,QA,QAA,QAAE,QAE,QB,QBE,QH,QHE,QHX,QX,QXE,SB,SBE,SH,SHE,SX,SXE,VA,VAA,VAAE,VAE,VB,VBB,VBE,VBL,VBX,VBX1,VGB,VH,VHE,VX,VXE
			-	-	-	(1)	
11	87594-ZG3-000	MARK, OIL CAUTION (JAPANESE)	1	-	1	-	LJ,LJE,LTE,LWD,SIE,SJ,SJE
			-	(1)	-	(1)	
	87594-ZG3-800	MARK, OIL CAUTION (ENGLISH) -	1	-	1	-	LH,LHE,LTE1,PA,PAA,PH,PX,QA,QAA,QAAE,QAE,QB,QBE,QFE,QH,QHE,QHE4,QHQ4,QHX,QHX4,QN,QNE,QX,QXE,QXE4,SB,SBE,SH,SHE,SHE4,SN,SNE,SX,SXE,SXE4,SXQ4,VA,VAA,VAAE,VAE,VB,VBB,VBE,VBL,VBX,VBX1,VF,VGB,VH,VHE,VN,VNE,VX,VXE
			-	-	-	(1)	
12	87106-737-J00	MARK, FUEL WARNING .....	-	-	1	-	LTE,LTE1
			-	-	1	-	1005483 EGY
13	87150-ZH8-000	MARK, CAUTION (JAPANESE) ....	-	-	1	-	1005483 EGY
14	87532-ZJ7-870	MARK, OIL (ALERT) .....	-	-	1	-	QHX
			-	-	1	-	1002543 VBX,VBX1
			-	-	(1)	1001659	
	87532-ZJ7-W40	.....	-	-	1	-	QHX4
			-	-	1	-	1002544 VBX,VBX1
15	87539-737-J00	MARK, HEAT CAUTION .....	-	-	1	-	LTE,LTE1
			-	-	1	-	1005483 EGY,SIE



ZG30-E2800

Ref. No.	Part No.	Description	Reqd. QTY				Serial No.	Parts catalogue code
			GD410		GD411			
			(1)	(2)	(1)	(2)		
16	87561-733-J00	MARK, EX. GAS WARNING .....	-	-	1	-	----- LTE1	
			-	-	1	-	1005483 ----- EGY,S1E	
			-	-	2	-	----- LTE	
17	87584-ZC8-000	MARK, STOP .....	1	-	-	-	1018826 ----- EGY	
			-	-	1	-	----- EGY	
18	87501-ZJ7-W40	MARK, ENGINE SWITCH INDICATION (ENGLISH)	-	-	1	-	1004522 ----- VBB,VBX	
19	87522-ZH8-W40	MARK, CAUTION .....	-	-	1	-	----- LTE1,QHE4,QHQ4,QHX4,QXE4,SHE4,SXE4,SXQ4	
20	87522-ZH9-000	LABEL, CAUTION .....	-	-	1	(1)	----- E1,L1,P1,QB,QBE,Q1,SB,SBE,S1,VB,VBB,VBE,VBL,VBX,VBX1,VGB	
	87522-ZH9-010	.....	-	-	1	(1)	----- LH,LHE,PA,PAA,PH,PX,QA,QAA,QAAE,QAE,QH,QHE,QHX,QX,QXE,SH,SHE SX,SXE,VA,VAA,VAAE,VAE,VH,VHE,VX,VXE,V1	
21	87565-YD6-000	MARK, FUEL .....	-	(1)	-	(1)	----- E1	

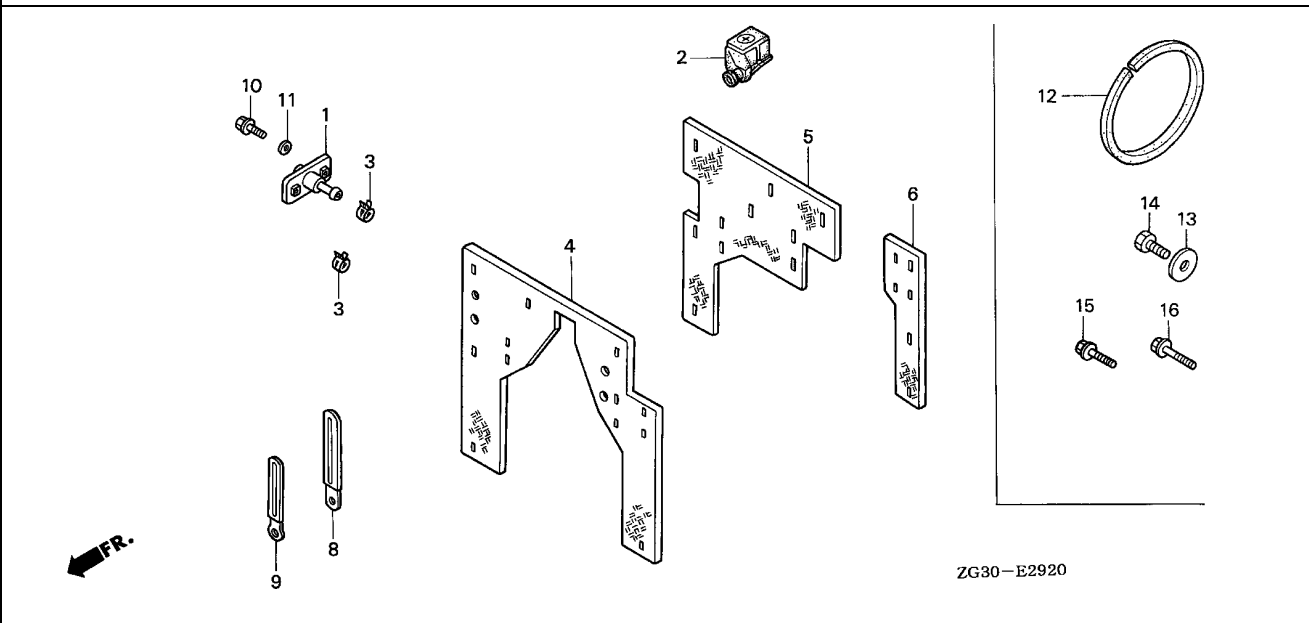




ZG30-E2900

Service item F.R.T.  
NOT INFORMATION .....

Ref. No.	Part No.	Description	Reqd. QTY				Serial No.	Parts catalogue code
			GD410		GD411			
			(1)	(2)	(1)	(2)		
1	89000-ZG3-000	TOOL KIT .....	-	(1)	-	(1)		
2	99001-10120	SPANNER, 10X12 .....	-	(1)	-	(1)		
3	99001-14170	SPANNER, 14X17 .....	-	(1)	-	(1)		
4	99008-02000	BAG, TOOL, 200MM .....	-	(1)	-	(1)		



Service item	F.R.T.
PLUG, OIL DRAIN .....	0.1
INSULATOR, SEPARATOR .....	0.3
.INSULATOR, SEPARATOR	

Ref. No.	Part No.	Description	Reqd. QTY				Serial No.	Parts catalogue code
			GD410		GD411			
			(1)	(2)	(1)	(2)		
1	15623-ZC8-000	PLUG, OIL DRAIN .....	1	-	-	-	1018826 ----- EGY	
2	32412-MA2-000	COVER, BATTERY .....	1	-	-	-	1018826 ----- EGY	
3	55104-KK4-000	CLIP, OIL TUBE .....	2	-	-	-	1018826 ----- EGY	
4	64771-ZC8-000	INSULATOR, SEPARATOR (A) ....	1	-	-	-	1018826 ----- EGY	
5	64772-ZC8-000	INSULATOR, SEPARATOR (B) ....	1	-	-	-	1018826 ----- EGY	
6	64773-ZC8-000	INSULATOR, SEPARATOR (C) ....	1	-	-	-	1018826 ----- EGY	
8	91406-671-000	CLIP, WIRE HARNESS .....	10	-	-	-	1018826 ----- EGY	
9	91413-679-000	CLIP, 2X70 .....	5	-	-	-	1018826 ----- EGY	
10	92800-12000	BOLT, DRAIN PLUG, 12MM .....	1	-	-	-	1018826 ----- EGY	
11	94109-12000	WASHER, DRAIN PLUG, 12MM ....	1	-	-	-	1018826 ----- EGY	
12	63197-ZC8-000	RUBBER, SEPARATOR CENTER ....	-	-	1	-	----- EGY	
13	90534-706-010	WASHER, LOCK, 8MM .....	-	-	1	-	----- LTE	
14	92101-08025-0A	BOLT, HEX., 8X25 .....	-	-	1	-	----- LTE,LTE1	
15	95701-06012-00	BOLT, FLANGE, 6X12 .....	-	-	1	-	----- LTE,LTE1	
16	95701-06016-00	BOLT, FLANGE, 6X16 .....	-	-	1	-	----- LTE,LTE1	





# PART NO. INDEX

J 2

Part Number	Address	Page	Ref.	Part Number	Address	Page	Ref.	Part Number	Address	Page	Ref.	Part Number	Address	Page	Ref.				
17315-PN3-000	H13	99	11	18325-ZG3-811	F9	63	5	28400-ZG3-611ZA	E14	52	1	28462-ZG3-004	E13	51	16	31211-PC2-006	G15	85	9
17406-ZG3-000	F5	59	7	18325-ZG3-880	F6	60	5	28400-ZG3-612ZA	E14	52	1		E15	53	14	31217-PC2-006	G15	85	10
17412-ZG3-E00	F5	59	8		F9	63	5	28400-ZG3-881ZA	E7	45	1	28467-ZG3-880	E13	51	17		H2	88	6
17471-ZG3-000	F5	59	9	18330-ZC8-003	F11	65	2	28400-ZG3-882ZA	E7	45	1	28469-ZE2-W01	E13	51	18	31229-PH7-006	G15	85	11
17471-ZG3-880	F5	59	9	18331-ZG3-000	F7	61	6	28410-ZG3-003ZA	E7	45	2		E16	54	19	31229-PH7-016	G15	85	11
17471-ZG3-900	F5	59	10		F9	63	6	28410-ZG3-004ZA	E8	46	2					31229-PH7-026	G15	85	11
17476-ZG3-003	F5	59	11	18331-ZG3-800	F7	61	6	28410-ZG3-611ZA	E14	52	2	30000				31230-ZG3-611	H2	88	2
17505-ZB2-003	G2	72	3	18333-ZG3-000	F7	61	7	28410-ZG3-612	E14	52	2					31230-ZG3-801	G15	85	12
17505-ZG3-801	F13	67	12		F9	63	7	28414-ZG4-911	E8	46	3	30401-VM0-000	I3	105	1	31235-PD2-016	G15	85	13
17510-YD6-000	G2	72	4		F11	65	3	28420-ZE8-811	E8	46	4		I4	106	1	31235-ZA0-981	H2	88	7
17510-ZG3-000ZA	F13	67	13	18333-ZG3-800	F7	61	7	28420-ZE8-812	E8	46	4		I5	107	18	31240-ZG3-801	H2	88	8
17510-ZG3-000ZB	F13	67	13		F9	63	7	28420-ZG3-611	E14	52	3					31251-PD2-016	G15	85	14
17510-ZG3-800ZA	F13	67	13		F11	65	3	28420-ZG3-612	E14	52	3	31000				31251-PD2-026	G16	86	14
17510-ZG3-800ZB	F13	67	13	18355-ZG3-000	F7	61	8	28422-ZG3-003	E9	47	5					31252-PD2-006	G16	86	15
17510-ZG3-880ZA	F13	67	14	18371-GS9-000	F9	63	8		E14	52	4	31100-ZG3-800	G10	80	5	31400-ZG3-801ZA	H16	102	1
17515-ZG3-880	F13	67	15	18381-ZG3-000	F7	61	9	28422-ZG3-004	E9	47	5	31100-ZG3-801	G10	80	5	31400-ZG3-802ZA	H16	102	1
17535-ZG3-000	F13	67	16		F9	63	9		E14	52	4	31100-ZG3-830	G10	80	5	31400-ZG3-811ZA	H16	102	1
17535-ZG3-800	F13	67	17	18381-ZG3-800	F7	61	9	28423-ZG3-003	E9	47	6	31100-ZG3-890	G11	81	5	31400-ZG3-812ZA	H16	102	1
17546-ZG3-800	F13	67	18		F9	63	9		E14	52	5	31100-ZG3-900	G11	81	5	31400-ZG3-W41ZA	H16	102	1
17547-ZG3-800	F13	67	19		F11	65	4	28423-ZG3-004	E9	47	6	31100-ZG3-E00	G10	80	4	31420-ZG3-801ZA	H16	102	2
17548-ZG3-800	F13	67	20	18431-ZG3-800	F7	61	10		E15	53	5	31100-ZJ7-800	G11	81	5	31420-ZG3-801ZB	H16	102	2
17560-ZG3-000	F13	67	21	18463-ZG3-880	F9	63	10	28424-ZE1-711	E9	47	7	31100-ZJ7-830	G11	81	5	31511-ZG3-800	G11	81	7
17560-ZG3-800	F13	67	22	18464-ZG3-880	F10	64	11		E15	53	6	31100-ZJ7-890	G11	81	5	31512-ZE8-000	G11	81	8
17560-ZJ7-880	F13	67	22	18539-ZC8-003	F11	65	5	28424-ZE1-712	E9	47	7	31100-ZJ7-900	G11	81	5	31512-ZG3-000	G11	81	9
17620-ZG3-003	F13	67	23	18545-ZG3-920	F10	64	12		E15	53	6	31100-ZJ7-940	G11	81	5	31600-ZE2-861	I4	106	2
	G2	72	5	18547-ZG3-000	F10	64	13	28431-ZG3-003	E9	47	8	31100-ZJ7-E00	G10	80	4	31601-ZG3-000	G11	81	10
17620-ZG3-801	F14	68	24						E15	53	7	31101-ZG3-000	G11	81	6	31601-ZG3-611	G11	81	10
	G2	72	6	19000				28431-ZG3-004	E10	48	8	31101-ZG3-610	G11	81	6	31601-ZG3-801	G11	81	10
17631-329-003	F14	68	25						E15	53	7	31101-ZG3-880	G11	81	6	31610-ZG3-801	G11	81	11
	G2	72	7	19015-ZC8-000	F3	57	1	28432-ZG0-003	E10	48	9	31101-ZG3-930	G11	81	6	31610-ZG3-E01	G11	81	11
17670-ZG3-003	F14	68	26	19511-ZG3-000	G10	80	2		E15	53	8	31101-ZJ7-000	G11	81	6	31612-ZE2-003	I1	103	3
17670-ZG3-013	F14	68	26	19511-ZG3-610	G10	80	2	28432-ZG0-004	E10	48	9	31101-ZJ7-610	G11	81	6	31614-ZE2-003	I1	103	4
	G2	72	8	19511-ZG3-E00	G10	80	1		E15	53	8	31101-ZJ7-880	G11	81	6	31620-ZG5-003	I5	107	27
17670-ZG3-901	F14	68	27	19514-ZJ7-E80	G12	82	19	28434-ZE8-811	E11	49	10	31101-ZJ7-930	G11	81	6	31700-KZ9-000	I4	106	3
17682-ZG3-003	F14	68	28	19516-GAG-003	F5	59	12	28434-ZE8-812	E11	49	10	31120-ZG3-901	G11	81	10	31700-ZC8-003	I3	105	2
	G2	72	9	19516-MB6-000	F10	64	14	28434-ZG3-611	E15	53	9	31130-ZG3-901	G11	81	11	31700-ZG3-801	I1	103	5
17687-ZG3-003	F15	69	29	19516-ML7-700	F5	59	12	28434-ZG3-612	E15	53	9	31200-ZG3-611	G15	85	8	31710-371-008	I4	106	4
17687-ZG3-013	F15	69	29	19610-ZG3-000ZA	F1	55	2	28441-ZG3-003	E11	49	11	31200-ZG3-612	G15	85	8	31710-ZC8-003	I3	105	3
	G2	72	10	19610-ZG3-610ZA	F1	55	2		E15	53	10	31200-ZG3-613	H2	88	5	31720-ZB4-003	I3	105	4
				19610-ZG3-880ZA	F1	55	3	28441-ZG3-004	E11	49	11	31202-P0C-004	H2	88	1	31750-ZG3-901	I5	107	19
18000				19610-ZG3-E00	F3	57	2		E15	53	10	31202-PC2-681	G13	83	1				
				19621-ZG3-880	F1	55	4	28442-ZE1-711	E11	49	12	31204-P8A-A01	H2	88	2	32000			
18310-ZC8-003	F11	65	1	19628-ZG3-880	F1	55	5		E15	53	11	31204-ZG3-611	G15	85	12	32100-ZC8-000	I3	105	5
18310-ZG3-003	F6	60	1	19629-ZG3-E00	F3	57	3	28442-ZE1-713	E11	49	12	31204-ZG3-801	G13	83	2	32127-738-700	I1	103	6
18310-ZG3-801	F9	63	1	19630-ZG3-E00	F3	57	4		E15	53	11	31204-ZG3-802	G13	83	2	32150-ZG3-800	I1	103	7
18310-ZG3-802	F9	63	2	19631-ZG3-000	F1	55	6	28449-ZG3-003	E11	49	13	31205-ZG3-801	G13	83	3	32412-MA2-000	I11	113	2
18310-ZG3-900	F6	60	2	19631-ZG3-800	F1	55	7	28449-ZG3-004	E12	50	13	31206-PH7-006	G14	84	4	32902-892-003	I1	103	8
18310-ZG3-920	F9	63	2	19632-ZG3-000	F1	55	8	28449-ZG3-611	E15	53	12	31206-PK2-006	G14	84	4	32925-958-000	D2	24	7
18310-ZJ7-870	F8	62	16	19632-ZG3-800	F1	55	8	28449-ZG3-612	E15	53	12	31207-PAA-A02	H2	88	3				
	F9	63	3	19632-ZG3-E00	F3	57	5	28451-ZG3-000	G10	80	3	31207-PH3-953	G14	84	5				
18321-ZG3-003	F6	60	3	19639-ZG3-E00	F3	57	6	28451-ZG3-004	G10	80	3	31207-PH3-954	G14	84	5	34000			
18321-ZG3-800	F6	60	3	19690-ZG3-010ZA	F2	56	9	28451-ZG3-610	G10	80	3	31208-P8A-A01	H2	88	4	34720-ZG4-911	I5	107	20
18321-ZG3-811	F9	63	4	19690-ZG3-800ZA	F2	56	9	28451-ZG3-612	G10	80	3	31208-PC2-682	G14	84	6	34908-GE0-701	I4	106	5
18321-ZG3-880	F8	62	17	19696-ZG3-000	F2	56	10	28461-ZE8-811	E12	50	14	31208-PH7-006	G14	84	6				
	F9	63	4						E15	53	13	31209-PH7-006	G15	85	7				
18323-ZG3-800	F6	60	4	28000				28461-ZG3-004	E12	50	15	31209-PK2-006	G15	85	7	35000			
18325-ZG3-003	F6	60	5						E16	54	18	31210-ZG3-801	G15	85	8				
	F7	61	5	28400-ZG3-003ZA	E7	45	1	28462-ZG3-003	E13	51	16	31210-ZG3-802	G15	85	8	35100-ZG3-801	I1	103	9
18325-ZG3-800	F6	60	5	28400-ZG3-004ZA	E7	45	1		E15	53	14	31210-ZG3-803	H2	88	5		I4	106	6





# PART NO. INDEX

**J 4**

Part Number	Address	Page	Ref.	Part Number	Address	Page	Ref.	Part Number	Address	Page	Ref.	Part Number	Address	Page	Ref.
92900-08022-0B	D5	27	9	95001-45100-40	F15	69	35		F8	62	15				
92900-08028-0B	D5	27	9	95001-45140-40	F15	69	36		F10	64	18				
				95001-45150-40	G2	72	17		G1	71	46				
93000				95001-45200-40	F15	69	37	95701-08022-00	F5	59	18				
					G2	72	18		G1	71	46				
93500-04006-3J	D11	33	35	95001-45450-40	F15	69	38								
93500-04008-0A	H9	95	50		G2	72	19	95701-08025-00	G9	79	35				
93500-05008-0B	F7	61	12	95001-45620-40	F15	69	39	95701-08030-00	F10	64	19				
93500-06008-0A	D2	24	9		G2	72	20	95701-08032-00	G12	82	18				
93500-06012-0H	I2	104	15	95001-75500-40	D2	24	11	95701-08035-00	F5	59	18				
93600-05010-0A	F15	69	34	95001-80095-40	F15	69	40		F10	64	19				
93600-05012-0A	G2	72	16	95001-80450-40	F16	70	41	95701-08040-00	D12	34	47				
93600-06012-0A	G12	82	15		G2	72	21								
93600-06016-0A	D14	36	11	95002-02070	H14	100	24		H1	87	19				
93892-06025-18	H3	89	9	95002-02080	F16	70	42		H3	89	12				
93892-06030-18	G16	86	16		G3	73	22	95701-08050-00	D12	34	48				
93893-05020-00	H9	95	51	95002-02130	F16	70	43		F5	59	19				
					G3	73	23								
94000				95002-40800-08	F16	70	42	96000							
					G3	73	22								
94001-06000-0S	H10	96	52	95002-41200-08	D2	24	12	96100-62043-00	E6	44	27				
94001-06280-0S	H10	96	53	95002-41250-08	F16	70	43	96211-06000	G7	77	22				
94002-06080-0S	H9	95	44		G3	73	23	96220-30134	D14	36	13				
94002-08080-0S	G16	86	17	95002-41300-08	H14	100	25								
	H3	89	10	95005-70430-30	D3	25	13	98000							
94050-06000	G9	79	34	95015-25200	D16	38	16								
94050-08000	F8	62	13	95701-06012-00	F2	56	19	98200-30750	I3	105	14				
								98200-31500	I2	104	17				
									I3	105	15				
	F10	64	16		F3	57	9								
94050-08020	F8	62	14		G1	71	44								
	F10	64	17		G3	73	24	99000							
94050-08080	D11	33	36		G12	82	16								
	F11	65	6		I11	113	15	99001-10120	I10	112	2				
	I3	105	13	95701-06012-08	D11	33	42	99001-14170	I10	112	3				
94050-10000	D5	27	10		H15	101	26	99008-02000	I10	112	4				
	D11	33	37	95701-06014-00	G1	71	45								
94050-10080	D11	33	38	95701-06014-08	D11	33	43								
94102-08000	H10	96	54	95701-06016-00	D11	33	44								
94103-06000	F15	69	33		D14	36	12								
94109-12000	I11	113	11		H11	97	61								
94109-14000	D11	33	39		I2	104	16								
94111-05000	H10	96	55		I11	113	16								
94111-08800	H1	87	18	95701-06020-00	F2	56	20								
	H3	89	11		G3	73	25								
94201-16080	H10	96	56	95701-06020-08	F11	65	7								
94201-25150	H11	97	57	95701-06022-00	D11	33	45								
94301-06100	D2	24	10		G1	71	45								
94301-08140	H11	97	58		G12	82	17								
94301-10160	D11	33	40	95701-06028-00	D3	25	14								
94301-12200	D5	27	11		D5	27	12								
94510-16000	E6	44	25		F2	56	21								
94520-12000	D11	33	41	95701-06032-00	D3	25	14								
94540-03010	H11	97	59	95701-06035-00	E6	44	26								
94540-05010	H11	97	60	95701-06040-09	H11	97	62								
					95701-06045-00	D3	25	15							
95000					95701-06055-00	F2	56	22							
					95701-08016-00	D11	33	46							
95001-35025-40	H14	100	22	95701-08016-08	F11	65	8								
95001-35090-40	H14	100	23	95701-08020-00	D5	27	13								

3



# PART NAME INDEX

K 1

Part name	Address	Page	Ref.	Part name	Address	Page	Ref.	Part name	Address	Page	Ref.
[ A ]											
ALERT UNIT, OIL .....	I3	105	9	BOLT, DRAIN .....	F15	69	30	BOLT, FLANGE, 8X40 .....	H1	87	19
					G2	72	12		H3	89	12
				BOLT, DRAIN PLUG, 12MM .....	I11	113	10	BOLT, FLANGE, 8X50 .....	D12	34	48
				BOLT, DRAIN PLUG, 14MM .....	D11	33	34		F5	59	19
ARMATURE ASSY. ....	G14	84	5	BOLT, FLANGE, 5X16 .....	H14	100	16	BOLT, FUEL JOINT, 12X25.5 .....	G7	77	25
	H2	88	3	BOLT, FLANGE, 5X8 .....	F7	61	11	BOLT, HEX., 10X25 .....	D16	38	15
ARMATURE COMP. ....	G14	84	5	BOLT, FLANGE, 6X12 .....	F10	64	15	BOLT, HEX., 3/8-24UNF .....	D16	38	15
ARM COMP., GOVERNOR .....	H4	90	3		D11	33	42	BOLT, HEX., 8X25 .....	D16	38	15
ARM COMP., SUB GOVERNOR .....	H4	90	4				43		I11	113	14
ARM, EX. VALVE ROCKER .....	E5	43	9		F2	56	19	BOLT, RECESSED, 5X20 .....	H9	95	51
ARM, IN. VALVE ROCKER .....	E5	43	8		F3	57	9	BOLT, RECESSED, 6X20 .....	H9	95	49
ARRESTER KIT, SPARK .....	F8	62	18		F1	71	44	BOLT, RECESSED, 6X32 .....	H7	93	37
ARRESTER, SPARK .....	F7	61	8		G1	71	44	BOLT, REEL COVER .....	E13	51	19
					G3	73	24		E16	54	15
					G12	82	16	BOLT, ROTARY TRANSMISSION .....	G7	77	26
					H14	100	17	BOLT, SEALING .....	D12	34	49
					H15	101	26	BOLT, SETTING .....	H2	88	1
					I11	113	15	BOLT, STUD, 10X103.5 .....	D9	31	19
BAG, TOOL, 200MM .....	I10	112	4	BOLT, FLANGE, 6X14 .....	D11	33	43	BOLT, STUD, 6X32 .....	D5	27	8
BALL, CHECK .....	G7	77	22		G1	71	45	BOLT, STUD, 8X22 .....	D5	27	9
BALL, STEEL, .....	G7	77	22	BOLT, FLANGE, 6X16 .....	D11	33	44	BOLT, STUD, 8X28 .....	D5	27	9
BAND .....	I1	103	8		D14	36	12	BOLT, THROUGH .....	G13	83	1
BAND, INSULATOR .....	F11	65	5		H11	97	61	BOX ASSY., CONTROL .....	H16	102	1
BAND, MUFFLER .....	F9	63	8		I2	104	16	BRACKET, CASE MOUNTING .....	I1	103	4
BARREL ASSY., CYLINDER .....	D6	28	1	BOLT, FLANGE, 6X20 .....	F2	56	20	BRACKET, RR. UNIT .....	G15	85	7
	D7	29	1		F11	65	7	BRACKET, THROTTLE MOTOR .....	I3	105	7
BEARING A, CAMSHAFT .....	E5	43	5		G3	73	25	BULB, WEDGE BASE .....	I4	106	5
BEARING A, CONNECTING ROD .....	E3	41	7	BOLT, FLANGE, 6X22 .....	D11	33	45				
BEARING A, MAIN .....	D7	29	2		G1	71	45				
	D8	30	2		G12	82	17				
BEARING B, CAMSHAFT .....	E5	43	5	BOLT, FLANGE, 6X28 .....	D3	25	14				
BEARING B, CONNECTING ROD .....	E3	41	7		D5	27	12				
BEARING B, MAIN .....	D7	29	2		F2	56	21				
	D8	30	2	BOLT, FLANGE, 6X32 .....	D3	25	14				
BEARING C, CONNECTING ROD .....	E3	41	7	BOLT, FLANGE, 6X35 .....	E6	44	26				
BEARING C, MAIN .....	D7	29	2	BOLT, FLANGE, 6X40 .....	H11	97	62	CAP COMP., FUEL FILLER .....	F13	67	23
	D8	30	2	BOLT, FLANGE, 6X45 .....	D3	25	15		F14	68	24
BEARING D, MAIN .....	D7	29	2	BOLT, FLANGE, 6X55 .....	F2	56	22		G2	72	5
BEARING E, MAIN .....	D7	29	2	BOLT, FLANGE, 6X8 .....	E13	51	20				
BEARING F, MAIN .....	D7	29	2		E16	54	16	CAP, AIR FILTER .....	H13	99	13
BEARING G, MAIN .....	D7	29	2		F3	57	8	CAP, ENGINE COVER HOLE .....	F2	56	15
BEARING, CAMSHAFT THRUST .....	E5	43	6		I5	107	25	CAP, OIL FILLER .....	D8	30	6
BEARING, CONNECTING ROD .....	E3	41	7	BOLT, FLANGE, 8X16 .....	D11	33	46	CASE COMP., AIR CLEANER .....	F4	58	2
BEARING, CRANKSHAFT THRUST .....	D15	37	7		F11	65	8	CASE COMP., FR. ....	G15	85	11
BEARING, NEEDLE, 8X12X10 .....	H9	95	48	BOLT, FLANGE, 8X20 .....	D5	27	13	CASE COMP., STARTER .....	E7	45	2
BEARING, RADIAL BALL, 6204 .....	E6	44	27		F8	62	15		E8	46	2
BEARING, SPECIAL BALL, 6204 .....	E6	44	22		F10	64	18		E14	52	2
BEARING, SPECIAL BALL, 6304 .....	D16	38	13	BOLT, FLANGE, 8X22 .....	G1	71	46	CASE, CONTROL .....	I1	103	3
					F5	59	18	CASE, PRE AIR CLEANER .....	F5	59	9
					G1	71	46	CASE, PRE CLEANER .....	F5	59	9
BEARING, SPECIAL, 6308 .....	D16	38	11				47				
BODY, STRAINER .....	F15	69	29	BOLT, FLANGE, 8X25 .....	G9	79	35	CASE, STARTER .....	E8	46	3
	G2	72	10		F10	64	19	CIRCLIP, EXTERNAL, 16MM .....	E6	44	25
BOLT-WASHER, 11X115 .....	D9	31	18	BOLT, FLANGE, 8X30 .....	F10	64	19	CIRCLIP, INTERNAL, 12MM .....	D11	33	41
BOLT, 6MM .....	E13	51	19	BOLT, FLANGE, 8X32 .....	G12	82	18	CLAMPER, CORD .....	G11	81	7
	E16	54	15	BOLT, FLANGE, 8X35 .....	F5	59	18	CLAMP, HOSE .....	F5	59	12
BOLT, ADJUSTING .....	H8	94	40		F10	64	19	CLAMP, HOSE, 30-37MM .....	F5	59	12
BOLT, AIR BREATHER, 8X20 .....	G7	77	23	BOLT, FLANGE, 8X40 .....	D12	34	47	CLAMP, TUBE .....	D2	24	12
							48		F16	70	42
BOLT, CONNECTING ROD, 8X51 .....	E3	41	5								
BOLT, CONTROL ADJUSTING .....	H8	94	39								

# PART NAME INDEX

K 2

Part name	Address	Page	Ref.	Part name	Address	Page	Ref.	Part name	Address	Page	Ref.
CLAMP, TUBE .....	F16	70	43	CRANKSHAFT COMP. ....	D15	37	2	GASKET, CYLINDER HEAD.....	D5	27	5
	G3	73	22				3	GASKET, EX. PIPE.....	F7	61	7
			23				4		F9	63	7
	H14	100	25				5		F11	65	3
CLAMP, WATER HOSE .....	F10	64	14				6	GASKET, FUEL INJECTION PUMP...	G5	75	17
CLIP, 2X60 .....	H14	100	20	CUP HOLDER .....	F13	67	10		G6	76	17
CLIP, 2X70 .....	I5	107	26	CUP, FUEL STRAINER .....	F13	67	11	GASKET, MUFFLER .....	F7	61	9
	I11	113	9	CUSHION, C.D.I. UNIT .....	I3	105	1		F9	63	9
CLIP, CORD .....	H14	100	19		I4	106	1		F11	65	4
CLIP, HARNESS .....	I1	103	13		I5	107	18	GASKET, SPECIAL, 7MM.....	G8	78	31
CLIP, HEAD .....	I3	105	12	[ D ]				GAUGE ASSY., FUEL.....	F13	67	12
CLIP, HIGH TENSION CORD .....	G1	71	48	DEFLECTOR, MUFFLER .....	F7	61	10	GEAR ASSY. ....	G15	85	12
CLIP, OIL TUBE .....	I11	113	3	DIAPHRAGM ASSY. ....	H13	99	6		H2	88	2
CLIP, PISTON PIN .....	E3	41	8	DIODE ASSY. ....	I3	105	3	GRIP, REINFORCEMENT .....	E13	51	18
CLIP, PULSER CORD .....	D2	24	7	DIODE COMP., D.C. ....	I3	105	4		E16	54	19
CLIP, TUBE .....	F16	70	42	DOWEL PIN, 10X16 .....	D11	33	40	GRIP, STARTER.....	E12	50	14
			43	DOWEL PIN, 12X20 .....	D5	27	11		E15	53	13
	G3	73	22	DOWEL PIN, 13X20 .....	D9	31	21	GROMMET, AIR CLEANER.....	F5	59	5
			23	DOWEL PIN, 6X10 .....	D2	24	10	GROMMET, CORD.....	G11	81	8
	H14	100	24	DOWEL PIN, 8X14 .....	H11	97	58				9
CLIP, VALVE GUIDE .....	D4	26	3	[ E ]				GROMMET, IGNITION COVER.....	H14	100	14
CLIP, WIRE .....	G9	79	33	ELEMENT COMP., AIR CLEANER....	F4	58	1	GROMMET, WIRE HARNESS.....	I1	103	14
CLIP, WIRE HARNESS .....	D11	33	33	EMBLEM .....	I6	108	1	GUIDE COMP., COOLING AIR.....	F3	57	2
	I11	113	8	END, LOCK .....	H7	93	32	GUIDE, PRE AIR CLEANER.....	F5	59	11
COLLAR .....	E13	51	21	E-RING, 3MM .....	H11	97	59	GUIDE, VALVE.....	D4	26	4
	E16	54	17	E-RING, 5MM .....	H11	97	60	[ H ]			
COLLAR A, ENGINE COVER .....	F2	56	17	EXTENSION, OIL FILLER.....	D9	31	8	HANGER, ENGINE .....	D4	26	1
COLLAR, 6.2X12 .....	F15	69	32	[ F ]					F12	66	1
COLLAR, CONTROL BOX .....	G2	72	15	FAN, COOLING .....	G10	80	1	HARNESS ASSY., CONTROL WIRE...	I1	103	7
COLLAR, DIAPHRAGM LEVER .....	H14	100	21	FILTER ASSY., FUEL .....	F14	68	26	HARNESS ASSY., SUB WIRE.....	I3	105	5
COLLAR, ENGINE COVER .....	F2	56	18		G2	72	8	HEAD COMP., CYLINDER.....	D4	26	2
COLLAR, FAN COVER .....	F1	55	4	FILTER ASSY., SOLENOID VALVE ..	H13	99	12	HEATER ASSY., IN. ....	F5	59	13
COLLAR, RR. FENDER .....	H14	100	15	FILTER COMP., FUEL .....	F14	68	27	HOLDER COMP., CABLE.....	H5	91	17
COLLAR, STOP LEVER .....	H6	92	27	FLYWHEEL .....	G11	81	6	HOLDER COMP., STOP CABLE.....	H7	93	31
CONDENSER UNIT .....	I4	106	3	FLYWHEEL COMP. ....	G10	80	4	HOLDER, CABLE.....	H5	91	13
CONNECTOR, IN. ....	G5	75	15		G11	81	5				18
CONTROL ASSY., SOLENOID .....	I5	107	20	FUSE, BLADE .....	I2	104	17	HOLDER, STOP CABLE.....	F1	55	1
CONTROL UNIT, CHARGE LAMP .....	I5	107	21		I3	105	14	HOLDER, WIRE.....	H5	91	19
CONTROL UNIT, HEATER .....	I4	106	12	[ G ]				HOOK, SPRING.....	H5	91	7
COTTER, VALVE .....	E6	44	18	GASKET .....	F13	67	9	[ I ]			
COVER COMP., AIR CLEANER .....	F5	59	4	GASKET A .....	G2	72	2	INSULATOR, AIR CLEANER.....	F5	59	8
COVER COMP., CYLINDER HEAD .....	D1	23	1	GASKET B .....	G5	75	12	INSULATOR, ENGINE COVER.....	F2	56	10
COVER COMP., ENGINE .....	F2	56	9	GASKET A, NOZZLE .....	G7	77	30	INSULATOR, SEPARATOR.....	I11	113	4
COVER COMP., FAN .....	F1	55	2	GASKET B, NOZZLE .....	G5	75	14				5
			3	GASKET C, NOZZLE .....	G7	77	30	[ J ]			6
COVER COMP., HEAD .....	D1	23	2	GASKET D, NOZZLE .....	G8	78	30	JOINT, AIR BREATHER.....	G6	76	21
COVER, BATTERY .....	I11	113	2	GASKET, CYLINDER HEAD.....	D4	26	5	JOINT, FUEL.....	F12	66	2
COVER, CYLINDER HEAD .....	D1	23	3						G2	72	1
			4						G6	76	19
COVER, GEAR .....	G13	83	3	[ H ]							
COVER, LOCK .....	H11	97	63	GASKET .....	F13	67	9				
COVER, MOTOR .....	I3	105	17	GASKET A .....	G2	72	2				
COVER, OIL PUMP .....	D13	35	1	GASKET B .....	G5	75	12				
COVER, OIL STRAINER .....	D13	35	5	GASKET A, NOZZLE .....	G7	77	30				
COVER, STARTER REEL .....	E11	49	10	GASKET B, NOZZLE .....	G5	75	14				
	E15	53	9	GASKET C, NOZZLE .....	G7	77	30				
COVER, TERMINAL .....	G15	85	13	GASKET D, NOZZLE .....	G8	78	30				
	H2	88	7								
CRANKSHAFT COMP. ....	D15	37	1								





# PART NAME INDEX

K 4

Part name	Address	Page	Ref.	Part name	Address	Page	Ref.	Part name	Address	Page	Ref.
RELAY ASSY., POWER .....	I4	106	13	SEAT, SPRING .....	G5	75	9	SPRING, STOP LEVER .....	H6	92	30
RELAY ASSY., STARTER .....	I5	107	24	SEAT, TANK STAY .....	F13	67	16	SPRING, TORSION .....	E11	49	13
RELAY COMP., STARTER .....	I4	106	14						E12	50	13
	I5	107	22	SEAT, VALVE SPRING .....	E6	44	17		E15	53	12
RETAINER, VALVE SPRING .....	E5	43	16	SEPARATOR, INNER .....	F3	57	3	SPRING, VALVE .....	E5	43	15
RING SET, PISTON .....	E1	39	1	SET RING, 470 .....	E6	44	24	SPRING, WEIGHT RETURN .....	E5	43	12
	E2	40	1	SET RING, 520 .....	D16	38	16	STARTER ASSY., RECOIL .....	E7	45	1
RING, OUTER SETTING .....	E6	44	23	SET RING, 90MM .....	D10	32	24		E14	52	1
RING, SQUARE .....	G15	85	9		D16	38	12	STATOR COMP. ....	G11	81	10
ROD ASSY., CONNECTING .....	E3	41	4	SHAFT COMP., ROCKER ARM .....	E5	43	11	STAY ASSY., BRUSH .....	G14	84	6
ROD, JOINT .....	H13	99	9	SHAFT, CONTROL LEVER .....	H5	91	10		H2	88	4
ROD, PUSH .....	E5	43	7	SHAFT, GOVERNOR ARM .....	H4	90	1	STAY COMP., DIAPHRAGM .....	H13	99	7
	G5	75	8	SHAFT, RATCHET .....	E9	47	6	STAY COMP., FUEL TANK .....	F13	67	21
ROLLER, 3X13.4 .....	D14	36	13		E14	52	5				
ROPE, STARTER .....	E13	51	16		E15	53	5	STAY, GOVERNOR SHAFT .....	H4	90	2
	E15	53	14	SHAFT, STOP LEVER .....	H6	92	25	STAY, OIL LEVEL SWITCH .....	D9	31	11
ROTOR COMP. ....	G11	81	11	SHIM A .....	G8	78	32	STAY, SOLENOID .....	H7	93	36
ROTOR, OIL PUMP INNER .....	D14	36	6	SHIM B .....	G8	78	32	STOPPER, CABLE .....	H5	91	13
ROTOR, OIL PUMP OUTER .....	D14	36	7	SHIM C .....	G8	78	32	STRAINER COMP. ....	F14	68	28
RUBBER, BUSH .....	G16	86	15	SHIM D .....	G8	78	32		G2	72	9
RUBBER, CONTROL BOX .....	G2	72	14	SHIM E .....	G8	78	32	STRAINER COMP., FUEL .....	F12	66	8
RUBBER, ENGINE BOTTOM .....	D9	31	16	SHIM F .....	G8	78	32	STRAINER COMP., OIL .....	D13	35	2
RUBBER, FAN COVER .....	F1	55	5	SHIM G .....	G8	78	32	STRAINER, OIL .....	D13	35	3
RUBBER, FUEL TUBE CLAMP .....	G6	76	18	SHIM H .....	G8	78	32	SUSPENSION, COUPLER .....	I1	103	6
RUBBER, SEPARATOR CENTER .....	F3	57	7	SHIM I .....	G8	78	32	SUSPENSION, RELAY .....	I5	107	16
	I11	113	12	SHIM J .....	G8	78	32	SUSPENSION, STARTER RELAY .....	I4	106	15
RUBBER, STOPPER .....	D5	27	6	SHIM K .....	G8	78	32		I5	107	23
RUBBER, SUPPORTER .....	F12	66	5	SHIM L .....	G9	79	32	SWITCH ASSY. ....	H2	88	8
			6	SHIM M .....	G9	79	32	SWITCH ASSY., COMBINATION .....	I1	103	9
			7	SHIM N .....	G9	79	32		I4	106	6
RUBBER, TANK MOUNTING .....	F13	67	15	SHROUD .....	F1	55	6	SWITCH ASSY., MAGNETIC .....	G13	83	2
							7	SWITCH ASSY., OIL LEVEL .....	D9	31	12
[ S ]							8	SWITCH, OIL PRESSURE .....	D9	31	13
SCREEN .....	F10	64	13	SHROUD B .....	F3	57	5				15
SCREEN COMP. ....	F10	64	12	SHROUD COMP. ....	F3	57	1	[ T ]			
SCREW-WASHER, 4X28 .....	G15	85	10				4	TANK COMP., FUEL .....	F13	67	13
	H2	88	6	SOCKET ASSY., LAMP .....	I4	106	8				
SCREW-WASHER, 4X8 .....	D9	31	17				10				
SCREW-WASHER, 5X20 .....	H9	95	51	SOLENOID ASSY., ENGINE STOP ...	H7	93	35		G2	72	4
SCREW-WASHER, 6X25 .....	H3	89	9	SPACER .....	G4	74	5	TOOL KIT .....	I10	112	1
SCREW-WASHER, 6X30 .....	G16	86	16	SPACER, CONTROL LEVER .....	H5	91	14	TUBE, 7X430 .....	D3	25	13
SCREW, FLAT, 5X10 .....	F15	69	34				15	TUBE, AIR CLEANER IN. ....	F5	59	6
SCREW, FLAT, 5X12 .....	G2	72	16	SPANNER, 10X12 .....	I10	112	2	TUBE, CHECK VALVE .....	H13	99	11
SCREW, FLAT, 6X12 .....	G12	82	15	SPANNER, 14X17 .....	I10	112	3	TUBE, FUEL .....	F12	66	3
SCREW, FLAT, 6X16 .....	D14	36	11	SPRING, CONTROL LEVER .....	H5	91	12	TUBE, FUEL, 3.5X25 .....	H14	100	22
SCREW, PAN, 3X18 .....	H7	93	38	SPRING, FRICTION .....	E11	49	11	TUBE, FUEL, 3.5X90 .....	H14	100	23
SCREW, PAN, 4X6 .....	D11	33	35		E15	53	10	TUBE, FUEL, 4.5X100 .....	F15	69	35
SCREW, PAN, 4X8 .....	H9	95	50	SPRING, FUEL STOPPER .....	F13	67	20	TUBE, FUEL, 4.5X140 .....	F15	69	36
SCREW, PAN, 5X16.5 .....	F5	59	16	SPRING, GOVERNOR .....	H4	90	5	TUBE, FUEL, 4.5X150 .....	G2	72	17
SCREW, PAN, 5X8 .....	F7	61	12	SPRING, IDLE .....	H4	90	6	TUBE, FUEL, 4.5X200 .....	F15	69	37
SCREW, PAN, 6X12 .....	I2	104	15		H5	91	6		G2	72	18
SCREW, PAN, 6X8 .....	D2	24	9	SPRING, LEVER .....	H5	91	11	TUBE, FUEL, 4.5X450 .....	F15	69	38
SCREW, SPECIAL, 6X12 .....	I1	103	12	SPRING, NOZZLE .....	G5	75	7		G2	72	19
SCREW, TAPPET ADJUSTING .....	E6	44	19	SPRING, OIL STRAINER .....	D13	35	4	TUBE, FUEL, 4.5X620 .....	F15	69	39
SEAL A, VALVE STEM .....	E4	42	1	SPRING, RETURN .....	E11	49	12		G2	72	20
SEAL, INNER SEPARATOR .....	F3	57	6		E15	53	11	TUBE, FUEL, 7.3X500 .....	D2	24	11
SEAT, RELIEF VALVE .....	D8	30	5	SPRING, STOP LEVER .....	H6	92	26	TUBE, FUEL, 8X450 .....	F16	70	41
SEAT, SPRING .....	G4	74	6				28		G2	72	21
							29				

4

# PART NAME INDEX

**K 5**

Part name	Address	Page	Ref.	Part name	Address	Page	Ref.	Part name	Address	Page	Ref.
TUBE, FUEL, 8X95 .....	F15	69	40								
TUBE, LABYRINTH .....	G15	85	14								
	G16	86	14								
TUBE, OIL ALERT .....	H13	99	4								
[ V ]											
VALVE ASSY., RELIEF .....	D8	30	3								
VALVE, CHECK .....	H13	99	2								
VALVE, EX. ....	E5	43	14								
VALVE, FUEL STOPPER .....	F13	67	19								
VALVE, IN. ....	E5	43	13								
VALVE, RELIEF .....	D8	30	4								
[ W ]											
WASHER, 10MM .....	D5	27	7								
WASHER, 10.1MM .....	D14	36	9								
WASHER, 10.5X40X4 .....	D16	38	9								
WASHER, 20MM .....	G11	81	13								
WASHER, 4MM .....	D9	31	14								
WASHER, 6MM .....	H11	97	65								
WASHER, 6X30 .....	H9	95	45								
WASHER, 8MM .....	G7	77	28								
WASHER, AIR DUCT .....	F15	69	33								
	G2	72	13								
WASHER, COOLING FAN .....	G12	82	19								
WASHER, DIAPHRAGM LEVER .....	H14	100	18								
WASHER, DRAIN PLUG, 12MM .....	I11	113	11								
WASHER, DRAIN PLUG, 14MM .....	D11	33	39								
WASHER, FUEL JOINT .....	G7	77	29								
WASHER, LOCK, 8MM .....	D16	38	9								
	I11	113	13								
WASHER, PLAIN, 6MM .....	F15	69	33								
WASHER, PLAIN, 7MM .....	G7	77	27								
WASHER, PLAIN, 8MM .....	H10	96	54								
WASHER, SEALING .....	H9	95	46								
WASHER, SPECIAL, 6MM .....	F15	69	31								
WASHER, SPRING, 5MM .....	H10	96	55								
WASHER, SPRING, 8MM .....	H1	87	18								
	H3	89	11								
WASHER, TANK SETTING .....	H8	94	41								
WASHER, THRUST, 16MM .....	E6	44	21								
WEIGHT COMP., BALANCER .....	D15	37	8								
WEIGHT COMP., GOVERNOR .....	D14	36	8								
WIRE, LOCK .....	H7	93	33								
			34								
WOOL A, GLASS .....	F9	63	10								
WOOL B, GLASS .....	F10	64	11								
[ Y ]											
YOKE ASSY. ....	G14	84	4								



---

**1**

**FOREWORD INDEX**

---

**2**

**ENGINE GROUP**

---

**3**

**PART NUMBER INDEX**

---

**4**

**PART NAME INDEX**

---

**HONDA**  
The Power of Dreams





# PARTS CATALOGUE NEWS

Honda Motor Co., Ltd. Service Division

## PARTS CATALOGUE - CORRECTED

Printed in Japan

CODE NO.	BOOKLET TYPE	13ZG30E8
	MICRO- FICHE	13ZG30EH
PARTS CATALOGUE NEWS		GD410 GD411
NEWS NO.		001

Block No.	Ref. No.	Note	Part No.	Description	Reqd. QTY				Serial No.	Parts catalogue code
					GD410		GD411			
					(1)	(2)	(1)	(2)		
E-27	2	E	31600-ZE2-861	*PARTS NO. DELETION						
		D	31710-371-008	RECTIFIER, SILICON (SHINDENGEN)	-	(1)	-	(1)		
	4	D	31600-ZE2-861	RECTIFIER ASSY., REGULATOR (10A)	-	(1)	-	(1)		
		E	31710-371-008	*PARTS NO. DELETION						

NOTE A:PART NO. CHANGE D:NEWLY PROVIDED E:PART NO.DELETION K:REQUIRED NO. CORRECTION L:APPLICATION SERIAL NO. CORRECTION  
T:APPLICATION CORRECTION Z:REMARKS CHANGE



# PARTS CATALOGUE NEWS

Honda Motor Co., Ltd. Service Division

## PARTS CATALOGUE - CORRECTED

Printed in Japan

CODE NO.	BOOKLET TYPE	13ZG30E8
	MICRO- FICHE	13ZG30EH/FH/GH
PARTS CATALOGUE NEWS		GD410 GD411
NEWS NO.		002

Block No.	Ref. No.	Note	Part No.	Description	Reqd. QTY				Serial No.	Parts catalogue code
					GD410		GD411			
					(1)	(2)	(1)	(2)		
E-28	10		87592-737-610	LABEL, FIRE CAUTION .....	-	-	1	-	-----	PA, PAA, QA, QAA, QAAE, QAE, VA, VAA, VAAE, VAE
					-	-	1	-	-----	1026537 LH, LHE, PH, PX, QB, QBE, QH, QHE, QHX, QX, QXE, SB, SBE, SH, SHE, SX, SXE, VB, VBB, VBE, VBL, VBX, VBX1, VGB, VH, VHE, VX, VXE
					-	-	-	(1)	-----	1026537
		K	87592-737-611	.....	-	-	1	-	-----	1026538 LH, LHE, PH, PX, QB, QBE, QH, QHE, QHX, QX, QXE, SB, SBE, SH, SHE, SX, SXE, VB, VBB, VBE, VBL, VBX, VBX1, VGB, VH, VHE, VX, VXE
					-	-	-	(1)	-----	1026538

NOTE A:PART NO. CHANGE D:NEWLY PROVIDED E:PART NO.DELETION K:REQUIRED NO. CORRECTION L:APPLICATION SERIAL NO. CORRECTION  
T:APPLICATION CORRECTION Z:REMARKS CHANGE



# PARTS CATALOGUE NEWS

Honda Motor Co., Ltd. Service Division

## PARTS CATALOGUE - CORRECTED

Printed in Japan

CODE NO.	BOOKLET TYPE	13ZG30E8
	MICRO- FICHE	13ZG30EH/FH/GH
PARTS CATALOGUE NEWS		GD410 GD411
NEWS NO.		003

Block No.	Ref. No.	Note	Part No.	Description	Reqd. QTY				Serial No.	Parts catalogue code
					GD410		GD411			
					(1)	(2)	(1)	(2)		
E-28	5	T	87522-ZG3-000	LABEL, CAUTION (JAPANESE) (ENGLISH)	1	(1)	-	(1)	-----	E1, P1, Q1, SJ, SJE, S1, V1
					-	-	1	-	----- 1026041	SJE
		L	87522-ZG3-010	LABEL, CAUTION .....	-	-	1	-	-----	SJ
					-	-	1	-	1026042 -----	SJE

NOTE A:PART NO. CHANGE D:NEWLY PROVIDED E:PART NO.DELETION K:REQUIRED NO. CORRECTION L:APPLICATION SERIAL NO. CORRECTION  
T:APPLICATION CORRECTION Z:REMARKS CHANGE



# PARTS CATALOGUE NEWS

Honda Motor Co., Ltd. Service Division

## PARTS CATALOGUE - CORRECTED

Printed in Japan

CODE NO.	BOOKLET TYPE	13ZG30E8
	MICRO- FICHE	13ZG30EH/FH/GH
PARTS CATALOGUE NEWS		GD410 GD411
NEWS NO.		004

Block No.	Ref. No.	Note	Part No.	Description	Reqd. QTY				Serial No.	Parts catalogue code
					GD410		GD411			
					(1)	(2)	(1)	(2)		
E-28	1		87101-ZJ7-000	EMBLEM (GD411) .....	-	-	1	(1)	-----	E1, L1, PA, PAA, P1, QA, QAA, QAAE, QAE, Q1, SB, S1, VA, VAA, VAAE, VAE
					-	-	1	(1)	-----	1026537 LH, LHE, LJ, LJE, LTE, LTE1, LWD, PH, PX, QB, QBE, QH, QHE, QHE4, QHQ4, QHX, QHX4, QX, QXE, QXE4, SBE, SH, SHE, SHE4, SJ, SJE, SX, SXE, SXE4, SXQ4, VB, VBE, VBL, VBL, VBX1, VGB, VH, VHE, VX, VXE, V1
		A	87101-ZJ7-010	.....	-	-	1	(1)	1026538	LH, LHE, LJ, LJE, LTE, LTE1, LWD, PH, PX, QB, QBE, QH, QHE, QHE4, QHQ4, QHX, QHX4, QX, QXE, QXE4, SBE, SH, SHE, SHE4, SJ, SJE, SX, SXE, SXE4, SXQ4, VB, VBE, VBL, VBL, VBX1, VGB, VH, VHE, VX, VXE, V1

NOTE A:PART NO. CHANGE D:NEWLY PROVIDED E:PART NO.DELETION K:REQUIRED NO. CORRECTION L:APPLICATION SERIAL NO. CORRECTION  
T:APPLICATION CORRECTION Z:REMARKS CHANGE



# PARTS CATALOGUE NEWS

Honda Motor Co., Ltd. Service Division

## PARTS CATALOGUE - CORRECTED

Printed in Japan

CODE NO.	BOOKLET TYPE	13ZG30E8
	MICRO- FICHE	13ZG30EH/FH/GH
PARTS CATALOGUE NEWS	GD410 GD411	
NEWS NO.	005	

Block No.	Ref. No.	Note	Part No.	Description	Reqd. QTY				Serial No.	Parts catalogue code	
					GD410		GD411				
					(1)	(2)	(1)	(2)			
E-3	1	T	12000-ZG3-000	BARREL ASSY., CYLINDER .....	1	(1)	-	(1)	-----	-----	E1, SH, SJ, SN, SX, S1
		T	12000-ZG3-610	BARREL ASSY., CYLINDER (L-TYPE)	1	(1)	-	(1)	-----	-----	LH, LJ, L1
		T	12000-ZG3-800	BARREL ASSY., CYLINDER (SEL) .	1	(1)	-	(1)	-----	-----	EGY, E1, SBE, SHE, S1E, SJE, SNE, SXE, S1
		T	12000-ZG3-830	BARREL ASSY., CYLINDER (L-TYPE/SEL)	1	(1)	-	(1)	-----	-----	LHE, LJE, LWD, L1
		T	12000-ZJ7-871	BARREL ASSY., CYLINDER (Q-OIL ALERT)	-	-	-	(1)	-----	-----	Q1, V1
		D	12000-ZG3-Q00	BARREL ASSY., CYLINDER (SEL) .	-	-	1	-	-----	-----	EGY, SBE, SHE, SHE4, S1E, SJE, SXE, SXE4
		D	12000-ZG3-Q20	BARREL ASSY., CYLINDER (L-TYPE/SEL)	-	-	1	-	-----	-----	LHE, LJE, LTE, LTE1, LWD
		D	12000-ZG3-405	BARREL ASSY., CYLINDER .....	-	-	1	-	-----	-----	SH, SJ, SX, SXQ4
		D	12000-ZG3-407	BARREL ASSY., CYLINDER (L-TYPE)	-	-	1	-	-----	-----	LH, LJ
		T	12000-ZG3-600	BARREL ASSY., CYLINDER .....	1	(1)	1	(1)	-----	-----	QA, QAA, QN, Q1, VA, VAA, VF, VN, V1
					1	-	-	-	-----	-----	QB, QH, QX, VB, VBB, VH, VX

NOTE A:PART NO. CHANGE D:NEWLY PROVIDED E:PART NO.DELETION K:REQUIRED NO. CORRECTION L:APPLICATION SERIAL NO. CORRECTION  
T:APPLICATION CORRECTION Z:REMARKS CHANGE

PARTS CATALOGUE NEWS

BOOKNo. : 13ZG30E8

Block No.	Ref. No.	Note	Part No.	Description	Reqd. QTY				Serial No.	Parts catalogue code	
					GD410 (1)	GD410 (2)	GD411 (1)	GD411 (2)			
					1	-	-	-	----- 1001307	PH, PX	
					-	(1)	-	-	----- 1001059	P1	
		D	12000-ZJ7-407	BARREL ASSY., CYLINDER (Q-OIL ALERT)	-	-	1	-	-----	-----	QHX, QHX4, VBX, VBX1
		D	12000-ZG3-406	BARREL ASSY., CYLINDER .....	-	-	1	-	-----	-----	QB, QH, QHQ4, QX, VB, VBB, VGB, VH, VX
		T	12000-ZG3-650	.....	1	-	1	(1)	-----	-----	PA, PAA, P1
					1	-	-	-	1001308	-----	PH, PX
					-	(1)	-	-	1001060	-----	P1
		D	12000-ZG3-408	.....	-	-	1	-	-----	-----	PH, PX
		T	12000-ZG3-820	BARREL ASSY., CYLINDER (Q-SEL)	1	(1)	-	(1)	-----	-----	QAE, QBE, QHE, QXE, Q1, VBE, VBL, VHE, VXE, V1
					1	-	1	(1)	-----	-----	P1, QAAE, QFE, QNE, VAAE, VAE, VNE
		D	12000-ZG3-Q10	.....	-	-	1	-	-----	-----	QAE, QBE, QHE, QHE4, QXE, QXE4, VBE, VBL, VHE, VXE

NOTE A:PART NO. CHANGE D:NEWLY PROVIDED E:PART NO.DELETION K:REQUIRED NO. CORRECTION L:APPLICATION SERIAL NO. CORRECTION  
T:APPLICATION CORRECTION Z:REMARKS CHANGE



# PARTS CATALOGUE NEWS

Honda Motor Co., Ltd. Service Division

## PARTS CATALOGUE - CORRECTED

Printed in Japan

CODE NO.	BOOKLET TYPE	13ZG30E8
	MICRO- FICHE	13ZG30EH/FH/GH
PARTS CATALOGUE NEWS		GD410 GD411
NEWS NO.		006

Block No.	Ref. No.	Note	Part No.	Description	Reqd. QTY				Serial No.	Parts catalogue code
					GD410		GD411			
					(1)	(2)	(1)	(2)		
E-23	11		87529-ZG3-810	MARK, CONTROL BOX (EXTERNAL)	1	-	1	-	-----	QAAE, QAE, VAAE, VAE
					1	-	-	(1)	-----	LHE, L1, P1, QBE, QFE, QHE, QNE, QXE, Q1, SBE, SHE, SNE, SXE S1, VBE, VHE, VNE, VXE
					-	-	1	(1)	-----	1027452 E1, LHE, QHE, QXE, SHE, SXE, VHE, VXE, V1
					-	-	1	-	-----	1002536 SBE, VBE
					-	-	1	-	-----	1003487 QBE
		K	87529-ZG3-811	.....	-	-	1	(1)	1027453	E1, LHE, QHE, QXE, SHE, SXE, VHE, VXE, V1

NOTE A:PART NO. CHANGE D:NEWLY PROVIDED E:PART NO.DELETION K:REQUIRED NO. CORRECTION L:APPLICATION SERIAL NO. CORRECTION  
T:APPLICATION CORRECTION Z:REMARKS CHANGE



# PARTS CATALOGUE NEWS

Honda Motor Co., Ltd. Service Division

## PARTS CATALOGUE - CORRECTED

Printed in Japan

CODE NO.	BOOKLET TYPE	13ZG30E8
	MICRO- FICHE	13ZG30EH/FH/GH
PARTS CATALOGUE NEWS		GD410 GD411
NEWS NO.		007

Block No.	Ref. No.	Note	Part No.	Description	Reqd. QTY				Serial No.	Parts catalogue code
					GD410		GD411			
					(1)	(2)	(1)	(2)		
E-23	11		87529-ZH8-W40	MARK, CONTROL BOX (ENGLISH) ..	-	-	1	-	----- 1027456	QHE4, QXE4, SHE4, SXE4
					-	-	1	-	1002537 1027456	SBE, VBE
					-	-	1	-	1003488 1027456	QBE
		A	87529-ZH8-W41	.....	-	-	1	-	1027457 -----	QBE, QHE4, QXE4, SBE, SHE4, SXE4, VBE

NOTE A:PART NO. CHANGE D:NEWLY PROVIDED E:PART NO.DELETION K:REQUIRED NO. CORRECTION L:APPLICATION SERIAL NO. CORRECTION  
T:APPLICATION CORRECTION Z:REMARKS CHANGE





# PARTS CATALOGUE NEWS

Honda Motor Co., Ltd. Service Division

## PARTS CATALOGUE - CORRECTED

Printed in Japan

CODE NO.	BOOKLET TYPE	13ZG30E8
	MICRO- FICHE	13ZG30EH/FH/GH
PARTS CATALOGUE NEWS		GD410 GD411
NEWS NO.		008

Block No.	Ref. No.	Note	Part No.	Description	Reqd. QTY				Serial No.	Parts catalogue code	
					GD410		GD411				
					(1)	(2)	(1)	(2)			
E-28	4		87521-ZG3-000	PLATE, EMBLEM .....	1	-	1	-	-----	-----	LJ, LJE, SJ, SJE, VBL
					1	-	-	-	-----	-----	LWD
					-	(1)	-	-			
					-	-	1	(1)	-----	-----	LH, LHE, L1, PA, PAA, PH, PX, P1, QA, QAA, QAAE, QAE, QB, QBE, QH, QHE, QHE4, QHQ4, QHX, QHX4, QX, QXE, QXE4, Q1, SB, SBE, SH, SHE, SHE4, SX, SXE, SXE4, SXQ4, S1, VA, VAA, VAAE, VAE, VB, VBB, VBE, VBX, VBX1, VGB, VH, VHE, VX, VXE
					-	-	-	(1)	-----	1727454	E1, V1
		A	87521-ZG3-010	.....	-	-	-	(1)	1727455	-----	E1, V1

NOTE A:PART NO. CHANGE D:NEWLY PROVIDED E:PART NO.DELETION K:REQUIRED NO. CORRECTION L:APPLICATION SERIAL NO. CORRECTION  
T:APPLICATION CORRECTION Z:REMARKS CHANGE



## PARTS CATALOGUE NEWS

Honda Motor Co., Ltd. Service Division

Printed in Japan

CODE NO.	BOOKLET TYPE	13ZG30E8
	MICRO- FICHE	13ZG30EH/FH/GH
PARTS CATALOGUE NEWS		GD410 GD411
NEWS NO.		009

### GD411-QCAE TYPE sales parts information

NOTE: This Parts Catalogue News explains only the parts of the different model that is produced to conform to addition of GD411-QCAE type.

As for the parts not listed on this Parts Catalogue News, use the parts of the GD411-QAAE type.

Model	Type		Parts catalogue type	Applicable engine serial No.
GD411	QAAE	Base model	QAAE	GPAC-1000001~1099999
	QCAE	Additional model	QCAE	GPAC-1000001~

## PARTS CATALOGUE NEWS

BOOKNo. : 13ZG30E8

Block No.	Ref. No.	Part No.	Description	Reqd. QTY				Base Part No.	Parts catalogue code
				GD410 (1)	GD410 (2)	GD411 (1)	GD411 (2)		
E-3	1	12000-ZG3-Q10	BARREL ASSY., CYLINDER (Q-SEL)	-	-	1	-	12000-ZG3-820	
	49	12105-ZA0-701	BOLT, SEALING .....	-	-	1	-		
E-8	2		PISTON (0.25) .....	-	-	(0)	-	13104-ZG3-000	
			PISTON (0.50) .....	-	-	(0)	-	13105-ZG3-000	
			PISTON (0.75) .....	-	-	(0)	-	13106-ZG3-000	
E-9	14	14721-ZJ7-930	VALVE, EX. ....	-	-	1	-	14721-ZG3-000	
E-15	9	17471-ZG3-010	CASE, PRE CLEANER .....	-	-	1	-	17471-ZG3-000	
E-23	11	87529-ZG3-811	MARK, CONTROL BOX (EXTERNAL) .	-	-	1	-	87529-ZG3-810	
E-27	6	35100-ZG3-802	SWITCH ASSY., COMBINATION ....	-	-	1	-		
	7	35111-880-003	KEY COMP. ....	-	-	2	-		
E-28	1	87101-ZJ7-010	EMBLEM (GD411) .....	-	-	1	-	87101-ZJ7-000	
	4	87521-ZG3-010	PLATE, EMBLEM .....	-	-	1	-	87521-ZG3-000	
	10	87592-737-611	LABEL, FIRE CAUTION .....	-	-	1	-	87592-737-610	

NOTE A:PART NO. CHANGE D:NEWLY PROVIDED E:PART NO.DELETION K:REQUIRED NO. CORRECTION L:APPLICATION SERIAL NO. CORRECTION  
T:APPLICATION CORRECTION Z:REMARKS CHANGE



# PARTS CATALOGUE NEWS

Honda Motor Co., Ltd. Service Division

## PARTS CATALOGUE - CORRECTED

Printed in Japan

CODE NO.	BOOKLET TYPE	13ZG30E8
	MICRO- FICHE	13ZG30EH/FH/GH
PARTS CATALOGUE NEWS		GD410 GD411
NEWS NO.		010

Block No.	Ref. No.	Note	Part No.	Description	Reqd. QTY				Serial No.	Parts catalogue code
					GD410		GD411			
					(1)	(2)	(1)	(2)		
E-17-1	4		17510-YD6-000	TANK COMP., FUEL .....	-	(1)	-	-		
					-	-	-	(1)	-----	1026537
		A	17510-YD6-010	.....	-	-	-	(1)		1026538

NOTE A:PART NO. CHANGE D:NEWLY PROVIDED E:PART NO.DELETION K:REQUIRED NO. CORRECTION L:APPLICATION SERIAL NO. CORRECTION  
T:APPLICATION CORRECTION Z:REMARKS CHANGE



# PARTS CATALOGUE NEWS

Honda Motor Co., Ltd. Service Division

## PARTS CATALOGUE - CORRECTED

Printed in Japan

CODE NO.	BOOKLET TYPE	13ZG30E8
	MICRO- FICHE	13ZG30EH/FH/GH
PARTS CATALOGUE NEWS		GD410 GD411
NEWS NO.		011

Block No.	Ref. No.	Note	Part No.	Description	Reqd. QTY				Serial No.	Parts catalogue code
					GD410		GD411			
					(1)	(2)	(1)	(2)		
E-1	3		12311-ZG3-810	COVER, CYLINDER HEAD .....	1	-	-	-	-----	EGY, QB, QN, SB, SN, VB, VBB, VBL, VN
					-	-	1	-	----- 1028117	EGY
		A	12311-ZG3-811	.....	-	-	1	-	1028118 -----	EGY

NOTE A:PART NO. CHANGE D:NEWLY PROVIDED E:PART NO.DELETION K:REQUIRED NO. CORRECTION L:APPLICATION SERIAL NO. CORRECTION  
T:APPLICATION CORRECTION Z:REMARKS CHANGE



# PARTS CATALOGUE NEWS

Honda Motor Co., Ltd. Service Division

## PARTS CATALOGUE - CORRECTED

Printed in Japan

CODE NO.	BOOKLET TYPE	13ZG30E8
	MICRO- FICHE	13ZG30EH/FH/GH
PARTS CATALOGUE NEWS		GD410 GD411
NEWS NO.		012

Block No.	Ref. No.	Note	Part No.	Description	Reqd. QTY				Serial No.	Parts catalogue code	
					GD410		GD411				
					(1)	(2)	(1)	(2)			
E-23	10		35111-880-003	KEY COMP. ....	2	-	2	-	-----	-----	LHE, LJE, QAAE, QAE, QBE, QFE, QHE, QHE4, QNE, QXE, QXE4, SBE, SHE, SHE4, SJE, SNE, SXE, SXE4, VAAE, VAE, VBE, VHE, VNE, VXE
					-	(2)	-	(2)			
					-	-	2	-	-----	1028360	QCAE
		A	35111-880-013	.....	-	-	2	-	1028361	-----	QCAE
E-27	7		35111-880-003	KEY COMP. ....	-	(2)	-	-			
					-	-	2	(2)	-----	1028360	E1, QCAE, V1
					-	-	-	(2)	-----	-----	L1, P1, Q1, S1
		A	35111-880-013	.....	-	-	2	(2)	1028361	-----	E1, QCAE, V1

NOTE A:PART NO. CHANGE D:NEWLY PROVIDED E:PART NO.DELETION K:REQUIRED NO. CORRECTION L:APPLICATION SERIAL NO. CORRECTION  
T:APPLICATION CORRECTION Z:REMARKS CHANGE



# PARTS CATALOGUE NEWS

Honda Motor Co., Ltd. Service Division

## PARTS CATALOGUE - CORRECTED

Printed in Japan

CODE NO.	BOOKLET TYPE	13ZG30E8
	MICRO- FICHE	13ZG30EH/FH/GH
PARTS CATALOGUE NEWS		GD410 GD411
NEWS NO.		013

Block No.	Ref. No.	Note	Part No.	Description	Reqd. QTY				Serial No.	Parts catalogue code
					GD410		GD411			
					(1)	(2)	(1)	(2)		
E-1	2		12310-ZJ7-871	COVER COMP., HEAD (ALERT) ....	-	-	1	-	----- 1028094	QHX, QHX4, VBX, VBX1
					-	-	-	(1)	----- 1028094	
		K	12310-ZJ7-872	.....	-	-	1	-	1028095 -----	QHX, QHX4, VBX, VBX1
					-	-	-	(1)	1028095	
	3		12311-ZG3-010	COVER, CYLINDER HEAD .....	1	(1)	1	-	1001160 -----	PH, P1, Q1, S1, VF, V1
					1	(1)	-	-	-----	E1, LH, LJ, L1
					1	-	1	-	-----	PA, PAA, QAA, VA, VAA
					1	-	-	-	1001160 -----	PX, QA, QH, QX, SH, SJ, SX, VH, VX
					-	-	1	-	-----	QA
					-	-	1	-	----- 1028139	LH, LJ, PH, PX, QB, QH, QHQ4, QX, SB, SH, SJ, SX, SXQ4, VB, VBB VBL, VGB, VH, VX
					-	-	-	(1)	----- 1028139	
		K	12311-ZG3-020	.....	-	-	1	-	1028140 -----	LH, LJ, PH, PX, QB, QH, QHQ4, QX, SB, SH, SJ, SX, SXQ4, VB, VBB VBL, VGB, VH, VX

NOTE A:PART NO. CHANGE D:NEWLY PROVIDED E:PART NO.DELETION K:REQUIRED NO. CORRECTION L:APPLICATION SERIAL NO. CORRECTION  
T:APPLICATION CORRECTION Z:REMARKS CHANGE

PARTS CATALOGUE NEWS

BOOKNo. : 13ZG30E8

Block No.	Ref. No.	Note	Part No.	Description	Reqd. QTY				Serial No.		Parts catalogue code
					GD410 (1)	GD410 (2)	GD411 (1)	GD411 (2)			
					-	-	-	(1)		1028140	
E-28	19		87522-ZH8-W40	MARK, CAUTION .....	-	-	1	-	1002537	1027456	QB, QBE, SBE, VB, VBB, VBE, VBL, VBX, VBX1, VGB
					-	-	1	-	-----	1027456	LTE1, QHE4, QHQ4, QHX4, QXE4, SHE4, SXE4, SXQ4
		A	87522-ZH8-W41	.....	-	-	1	-	1027457	-----	LTE1, QB, QBE, QHE4, QHQ4, QHX4, QXE4, SBE, SHE4, SXE4, SXQ4 VB, VBB, VBE, VBL, VBX, VBX1, VGB
	20		87522-ZH9-000	LABEL, CAUTION .....	-	-	1	(1)	-----	-----	E1, L1, P1, Q1, SB, S1
		L			-	-	1	-	-----	1002536	QB, QBE, SBE, VB, VBB, VBE, VBL, VBX, VBX1, VGB

NOTE A:PART NO. CHANGE D:NEWLY PROVIDED E:PART NO.DELETION K:REQUIRED NO. CORRECTION L:APPLICATION SERIAL NO. CORRECTION  
T:APPLICATION CORRECTION Z:REMARKS CHANGE





# PARTS CATALOGUE NEWS

Honda Motor Co., Ltd. Service Division

CODE NO.	BOOKLET TYPE	13ZG30E8
	MICRO-FICHE	13ZG30EH/FH/GH
PARTS CATALOGUE NEWS		GD410 GD411
NEWS NO.		014

Printed in Japan

## GD411-QHEB,QXEB,SXEB and VBEP TYPES sales parts information

NOTE: This Parts Catalogue News explains only the parts of the different model that are produced to conform to addition of the GD411-QHEB,QXEB,SXEB and VBEP types.

As for the parts not listed on this Parts Catalogue News, use the parts of the GD411-QHE4,QXE4,SXE4 and VBE types.

Model	Type		Parts catalogue type	Applicable engine serial No.
GD411	QHE4	Base model	QHE4	GPAC-1000001~
	QHEB	Additional model	QHEB	
	QXE4	Base model	QXE4	
	QXEB	Additional model	QXEB	
	SXE4	Base model	SXE4	
	SXEB	Additional model	SXEB	
	VBE	Base model	VBE	
	VBEP	Additional model	VBEP	

NOTE A:PART NO. CHANGE D:NEWLY PROVIDED E:PART NO.DELETION K:REQUIRED NO. CORRECTION L:APPLICATION SERIAL NO. CORRECTION  
T:APPLICATION CORRECTION Z:REMARKS CHANGE

## PARTS CATALOGUE NEWS

BOOKNo. : 13ZG30E8

Block No.	Ref. No.	Part No.	Description	Reqd. QTY				Base Part No.	Parts catalogue code
				GD410 (1)	GD410 (2)	GD411 (1)	GD411 (2)		
E-1	1	12310-ZG3-802	COVER COMP., CYLINDER HEAD (SEL)	-	-	1	-	12310-ZG3-801	
	5	12380-ZG3-000	PLATE COMP., BREATHER .....	-	-	1	-		
	10		DOWEL PIN, 6X10 .....	-	-	0	-	94301-06100	QHQB, QXQB, SXQB
E-2	2	12200-ZG3-010	HEAD COMP., CYLINDER .....	-	-	1	-		
	4		GUIDE, VALVE (O.S.) .....	-	-	(0)	-	12218-ZG3-003	VBEP
E-3	2		BEARING A, MAIN (UNDER SIZE 0.25) (BLACK)	-	-	(0)	-	13332-ZG3-000	VBEP
			BEARING B, MAIN (UNDER SIZE 0.25) (BROWN)	-	-	(0)	-	13333-ZG3-000	VBEP
			BEARING C, MAIN (UNDER SIZE 0.25) (GREEN)	-	-	(0)	-	13334-ZG3-000	VBEP
			BEARING A, MAIN (UNDER SIZE 0.50) (BLACK)	-	-	(0)	-	13336-ZG3-000	VBEP
			BEARING B, MAIN (UNDER SIZE 0.50) (BROWN)	-	-	(0)	-	13337-ZG3-000	VBEP
			BEARING C, MAIN (UNDER SIZE 0.50) (GREEN)	-	-	(0)	-	13338-ZG3-000	VBEP
			BEARING A, MAIN (UNDER SIZE 0.75) (BLACK)	-	-	(0)	-	13342-ZG3-000	VBEP
			BEARING B, MAIN (UNDER SIZE 0.75) (BROWN)	-	-	(0)	-	13343-ZG3-000	VBEP
			BEARING C, MAIN (UNDER SIZE 0.75) (GREEN)	-	-	(0)	-	13344-ZG3-000	VBEP
	49	12105-ZA0-701	BOLT, SEALING .....	-	-	1	-		VBEP
E-8	1		RING SET, PISTON (0.25) .....	-	-	(0)	-	13011-ZG3-000	VBEP
			RING SET, PISTON (0.50) .....	-	-	(0)	-	13012-ZG3-000	VBEP
			RING SET, PISTON (0.75) .....	-	-	(0)	-	13013-ZG3-000	VBEP
	2		PISTON (0.25) .....	-	-	(0)	-	13104-ZG3-000	VBEP

NOTE A:PART NO. CHANGE D:NEWLY PROVIDED E:PART NO.DELETION K:REQUIRED NO. CORRECTION L:APPLICATION SERIAL NO. CORRECTION  
T:APPLICATION CORRECTION Z:REMARKS CHANGE

## PARTS CATALOGUE NEWS

BOOKNo. : 13ZG30E8

Block No.	Ref. No.	Part No.	Description	Reqd. QTY				Base Part No.	Parts catalogue code
				GD410 (1)	GD410 (2)	GD411 (1)	GD411 (2)		
			PISTON (0.50) .....	-	-	(0)	-	13105-ZG3-000	VBEP
			PISTON (0.75) .....	-	-	(0)	-	13106-ZG3-000	VBEP
	7		BEARING A, CONNECTING ROD (UNDER SIZE 0.25) (BLACK)	-	-	(0)	-	13232-ZG3-000	VBEP
			BEARING B, CONNECTING ROD (UNDER SIZE 0.25) (BROWN)	-	-	(0)	-	13233-ZG3-000	VBEP
			BEARING C, CONNECTING ROD (UNDER SIZE 0.25) (GREEN)	-	-	(0)	-	13234-ZG3-000	VBEP
			BEARING A, CONNECTING ROD (UNDER SIZE 0.50) (BLACK)	-	-	(0)	-	13236-ZG3-000	VBEP
			BEARING B, CONNECTING ROD (UNDER SIZE 0.50) (BROWN)	-	-	(0)	-	13237-ZG3-000	VBEP
			BEARING C, CONNECTING ROD (UNDER SIZE 0.50) (GREEN)	-	-	(0)	-	13238-ZG3-000	VBEP
			BEARING A, CONNECTING ROD (UNDER SIZE 0.75) (BLACK)	-	-	(0)	-	13242-ZG3-000	VBEP
			BEARING B, CONNECTING ROD (UNDER SIZE 0.75) (BROWN)	-	-	(0)	-	13243-ZG3-000	VBEP
			BEARING C, CONNECTING ROD (UNDER SIZE 0.75) (GREEN)	-	-	(0)	-	13244-ZG3-000	VBEP
E-11	2	28410-ZG3-004	CASE COMP., STARTER .....	-	-	1	-	28410-ZG3-004ZA	

NOTE A:PART NO. CHANGE D:NEWLY PROVIDED E:PART NO.DELETION K:REQUIRED NO. CORRECTION L:APPLICATION SERIAL NO. CORRECTION  
T:APPLICATION CORRECTION Z:REMARKS CHANGE

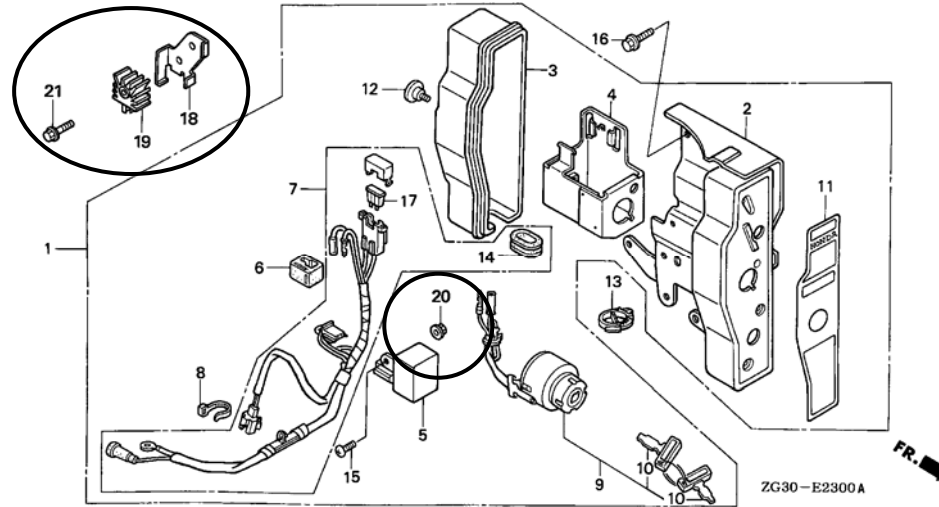
PARTS CATALOGUE NEWS

BOOKNo. : 13ZG30E8

Block No.	Ref. No.	Part No.	Description	Reqd. QTY		Base Part No.	Parts catalogue code
				GD410 (1) (2)	GD411 (1) (2)		

E-23 CONTROL BOX

Service	Item	F. R. T.
	RECTIFIER COMP., REGULATOR.....	0.2



E-23	1	31400-ZJ7-801ZA	BOX ASSY., CONTROL *NH116M*URBAN SILVER METALLIC	-	-	1	-	31400-ZG3-W41ZA	
	5		RECTIFIER COMP., SILICON .....	-	-	0	-	31700-ZG3-801	
	7	32150-ZJ7-800	HARNESS ASSY., CONTROL WIRE ..	-	-	1	-	32150-ZG3-800	
	10	35111-880-013	KEY COMP. ....	-	-	2	-	35111-880-003	
	18	31604-ZJ7-800	BRACKET, REGULATOR RECTIFIER .	-	-	1	-		
	19	31750-735-003	RECTIFIER COMP., REGULATOR ...	-	-	1	-		
	20	94050-06080	NUT, FLANGE, 6MM .....	-	-	1	-		
	21	95701-06032-00	BOLT, FLANGE, 6X32 .....	-	-	1	-		
E-28	4	87521-ZG3-010	PLATE, EMBLEM .....	-	-	1	-	87521-ZG3-000	
	10		LABEL, FIRE CAUTION .....	-	-	0	-	87592-737-611	VBEP

NOTE A:PART NO. CHANGE D:NEWLY PROVIDED E:PART NO.DELETION K:REQUIRED NO. CORRECTION L:APPLICATION SERIAL NO. CORRECTION  
T:APPLICATION CORRECTION Z:REMARKS CHANGE



# PARTS CATALOGUE NEWS

Honda Motor Co., Ltd. Service Division

## PARTS CATALOGUE - CORRECTED

Printed in Japan

CODE NO.	BOOKLET TYPE	13ZG30E8
	MICRO- FICHE	13ZG30EH/FH/GH
PARTS CATALOGUE NEWS		GD410 GD411
NEWS NO.		015

Block No.	Ref. No.	Note	Part No.	Description	Reqd. QTY				Serial No.	Parts catalogue code
					GD410		GD411			
					(1)	(2)	(1)	(2)		
E-1	4		12311-ZG3-900	COVER, CYLINDER HEAD .....	1	-	-	-	-----	SIE
					-	-	1	-	----- 1027200	SIE
		A	12311-ZG3-901	.....	-	-	1	-	1027201 -----	SIE

NOTE A:PART NO. CHANGE D:NEWLY PROVIDED E:PART NO.DELETION K:REQUIRED NO. CORRECTION L:APPLICATION SERIAL NO. CORRECTION  
T:APPLICATION CORRECTION Z:REMARKS CHANGE



# PARTS CATALOGUE NEWS

Honda Motor Co., Ltd. Service Division

## PARTS CATALOGUE - CORRECTED

Printed in Japan

CODE NO.	BOOKLET TYPE	13ZG30E8
	MICRO- FICHE	13ZG30EH/FH/GH
PARTS CATALOGUE TITLE	GD410 GD411	
NEWS NO.	016	

Block No.	Ref. No.	Note	Part No.	Description	Reqd. QTY				Serial No.	Parts catalogue code	
					GD410		GD411				
					(1)	(2)	(1)	(2)			
E-23	11		87529-ZG3-800	MARK, CONTROL BOX (INTERNAL)	1	-	-	-	-----	LJE, SJE	
					-	(1)	-	-			
					-	-	1	-	-----	1029721 LJE, SJE	
					-	-	-	(1)	-----	1029721	
		A	87529-ZG3-801	.....	-	-	1	-	1029722	-----	LJE, SJE
					-	-	-	(1)	1029722		

NOTE A:PART NO. CHANGE D:NEWLY PROVIDED E:PART NO.DELETION K:REQUIRED NO. CORRECTION L:APPLICATION SERIAL NO. CORRECTION  
T:APPLICATION CORRECTION Z:REMARKS CHANGE



# PARTS CATALOGUE NEWS

Honda Motor Co., Ltd. Service Division

## PARTS CATALOGUE - CORRECTED

Printed in Japan

CODE NO.	BOOKLET TYPE	13ZG30E8
	MICRO- FICHE	13ZG30EH/FH/GH
PARTS CATALOGUE TITLE	GD410 GD411	
NEWS NO.	017	

Block No.	Ref. No.	Note	Part No.	Description	Reqd. QTY				Serial No.	Parts catalogue code	
					GD410		GD411				
					(1)	(2)	(1)	(2)			
E-28	5		87522-ZG3-800	LABEL, CAUTION (ENGLISH) (FRENCH) (GERMAN) (SPANISH)	1	-	-	-	-----	-----	PA, PAA, PH, PX, QA, QAA, QAAE, QAE, QFE, QH, QHE, QX, QXE, SH SHE, SX, SXE, VA, VAA, VAAE, VAE, VF, VH, VHE, VX, VXE
					-	-	-	(1)	-----	1026537	E1
	A		87522-ZG3-801	.....	-	-	-	(1)	1026538	-----	E1
			87522-ZG3-850	LABEL, CAUTION (E. F. G. S-3000RPM)	-	-	-	(1)	-----	1026537	E1
	A		87522-ZG3-851	.....	-	-	-	(1)	1026538	-----	E1

NOTE A:PART NO. CHANGE D:NEWLY PROVIDED E:PART NO.DELETION K:REQUIRED NO. CORRECTION L:APPLICATION SERIAL NO. CORRECTION  
T:APPLICATION CORRECTION Z:REMARKS CHANGE



# PARTS CATALOGUE NEWS

Honda Motor Co., Ltd. Service Division

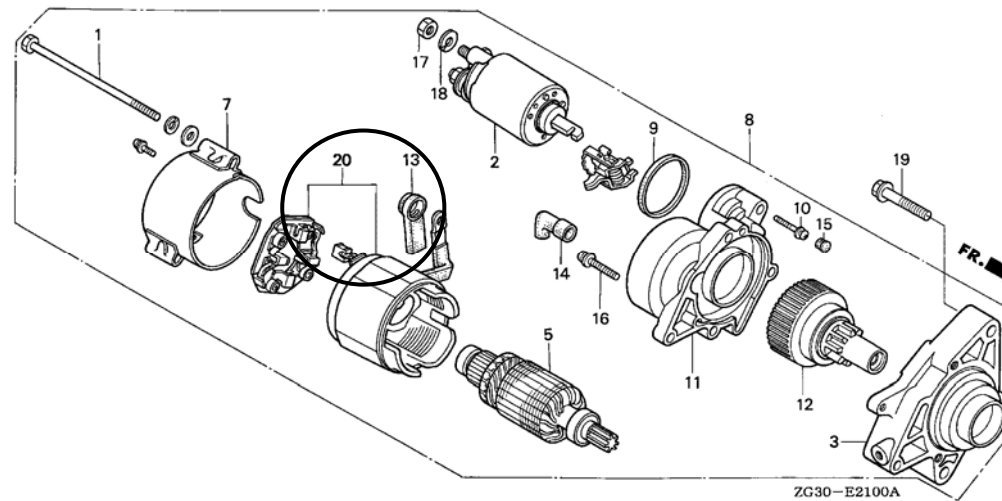
## PARTS CATALOGUE - CORRECTED

Printed in Japan

CODE NO.	BOOKLET TYPE	13ZG30E8
	MICRO-FICHE	13ZG30EH/FH/GH
PARTS CATALOGUE TITLE	GD410 GD411	
NEWS NO.	018	

Block No.	Ref. No.	Note	Part No.	Description	Reqd. QTY		Serial No.	Parts catalogue code
					GD410 (1) (2)	GD411 (1) (2)		

E-21 STARTER MOTOR (1)



E-21 4 E 31206-PH7-006 \*PARTS NO. DELETION

NOTE A:PART NO. CHANGE D:NEWLY PROVIDED E:PART NO.DELETION K:REQUIRED NO. CORRECTION L:APPLICATION SERIAL NO. CORRECTION  
T:APPLICATION CORRECTION Z:REMARKS CHANGE



PARTS CATALOGUE NEWS

BOOKNo. : 13ZG30E8

Block No.	Ref. No.	Note	Part No.	Description	Reqd. QTY				Serial No.	Parts catalogue code	
					GD410		GD411				
					(1)	(2)	(1)	(2)			
		E	31206-PK2-006	*PARTS NO. DELETION							
	6	E	31208-PC2-682	*PARTS NO. DELETION							
		E	31208-PH7-006	*PARTS NO. DELETION							
	20	D	31260-PM3-006	STATOR SET .....	1	1	-	-	-----	-----	LHE, LJE, LWD, L1
					-	-	1	(1)	-----	1014611	LHE, LJE, LTE, LTE1, LWD, L1
		D	31260-PP8-006	.....	1	(1)	-	-	-----	-----	EGY, E1, P1, QAAE, QAE, QBE, QFE, QHE, QNE, QXE, Q1, SBE, SHE, S1E, SJE, SNE, SXE, S1, VAAE, VAE, VBE, VBL, VHE, VNE, VXE, V1
					-	-	1	(1)	-----	1014611	EGY, E1, LHE, P1, QAAE, QAE, QBE, QHE, QHE4, QXE, QXE4, Q1, SBE, SHE, SHE4, S1E, SJE, SXE, SXE4, S1, VAAE, VAE, VBE, VBL, VHE, VXE, V1

NOTE A:PART NO. CHANGE D:NEWLY PROVIDED E:PART NO.DELETION K:REQUIRED NO. CORRECTION L:APPLICATION SERIAL NO. CORRECTION  
T:APPLICATION CORRECTION Z:REMARKS CHANGE



# PARTS CATALOGUE NEWS

Honda Motor Co., Ltd. Service Division

## PARTS CATALOGUE - CORRECTED

Printed in Japan

CODE NO.	BOOKLET TYPE	13ZG30E8
	MICRO- FICHE	13ZG30EH/FH/GH
PARTS CATALOGUE NEWS		GD410 GD411
NEWS NO.		019

Block No.	Ref. No.	Note	Part No.	Description	Reqd. QTY				Serial No.	Parts catalogue code
					GD410		GD411			
					(1)	(2)	(1)	(2)		
E-28	5		87522-ZG3-010	LABEL, CAUTION .....	-	-	1	-	----- 1033510	SJ
					-	-	1	-	1026042 1033510	SJE
		A	87522-ZG3-020	.....	-	-	1	-	1033511 -----	SJ, SJE

NOTE A:PART NO. CHANGE D:NEWLY PROVIDED E:PART NO.DELETION K:REQUIRED NO. CORRECTION L:APPLICATION SERIAL NO. CORRECTION  
T:APPLICATION CORRECTION Z:REMARKS CHANGE



# PARTS CATALOGUE NEWS

Honda Motor Co., Ltd. Service Division

## PARTS CATALOGUE - CORRECTED

Printed in Japan

CODE NO.	BOOKLET TYPE	13ZG30E8
	MICRO- FICHE	13ZG30EH/FH/GH
PARTS CATALOGUE NEWS		GD410 GD411
NEWS NO.		020

Block No.	Ref. No.	Note	Part No.	Description	Reqd. QTY				Serial No.	Parts catalogue code	
					GD410		GD411				
					(1)	(2)	(1)	(2)			
E-21-1	5		31210-ZG3-803	MOTOR ASSY., STARTER .....	-	-	1	(1)	1014612	-----	EGY, E1, L1, QAAE, QAE, Q1, S1E, SJE, S1, VAAE, VAE, VHE
					-	-	1	(1)	1014612	1034352	P1, QBE, QHE, QHE4, QXE, QXE4, SBE, SHE, SHE4, SXE, SXE4, VBE, VBL, VXE, V1
					-	-	1	-	-----	1034352	QCAE, QHEB, QXEB, SXEB, VBEP
	A		31210-ZG3-804	.....	-	-	1	(1)	1034353	-----	P1, QBE, QCAE, QHE, QHEB, QHE4, QXE, QXEB, QXE4, SBE, SHE, SHE4, SXE, SXEB, SXE4, VBE, VBEP, VBL, VXE, V1
	8		31240-ZG3-801	SWITCH ASSY. ....	-	-	1	(1)	1014612	-----	EGY, E1, LHE, LJE, LTE, LTE1, LWD, L1, P1, QAAE, QAE, Q1, S1E, SJE, S1, VAAE, VAE, VHE
					-	-	1	(1)	1014612	1034352	QBE, QHE, QHE4, QXE, QXE4, SBE, SHE, SHE4, SXE, SXE4, VBE, VBL, VXE, V1
					-	-	1	-	-----	1034352	QCAE, QHEB, QXEB, SXEB, VBEP
					A		31240-ZG3-802	.....	-	-	1

NOTE A:PART NO. CHANGE D:NEWLY PROVIDED E:PART NO.DELETION K:REQUIRED NO. CORRECTION L:APPLICATION SERIAL NO. CORRECTION  
T:APPLICATION CORRECTION Z:REMARKS CHANGE



# PARTS CATALOGUE NEWS

Honda Motor Co., Ltd. Service Division

## PARTS CATALOGUE - CORRECTED

Printed in Japan

CODE NO.	BOOKLET TYPE	13ZG30E8
	MICRO- FICHE	13ZG30EH/FH/GH
PARTS CATALOGUE NEWS		GD410 GD411
NEWS NO.		021

Block No.	Ref. No.	Note	Part No.	Description	Reqd. QTY				Serial No.	Parts catalogue code	
					GD410		GD411				
					(1)	(2)	(1)	(2)			
E-23	5		31700-ZG3-801	RECTIFIER COMP., SILICON .....	1	-	1	(1)	-----	-----	E1, LHE, LJE, LWD, L1, QAAE, QAE, QCAE, QFE, QHE4, QNE, QXE4 Q1, SBE, SHE, SJE, SNE, SXE, S1, VAAE, VAE, VHE, VNE
					1	-	-	-	-----	-----	QBE, QHE, QXE, VBE, VXE
					-	(1)	-	-			
					-	-	1	(1)	-----	1034406	P1, QBE, QHE, QXE, SHE4, SXE4, VBE, VXE, V1
					-	-	1	-	-----	1018349	LTE
		A	31700-ZG3-802	.....	-	-	1	(1)	1034407	-----	P1, QBE, QHE, QXE, SHE4, SXE4, VBE, VXE, V1

NOTE A:PART NO. CHANGE D:NEWLY PROVIDED E:PART NO.DELETION K:REQUIRED NO. CORRECTION L:APPLICATION SERIAL NO. CORRECTION  
T:APPLICATION CORRECTION Z:REMARKS CHANGE



# PARTS CATALOGUE NEWS

Honda Motor Co., Ltd. Service Division

## PARTS CATALOGUE - CORRECTED

Printed in Japan

CODE NO.	BOOKLET TYPE	13ZG30E8
	MICRO- FICHE	13ZG30EH/FH/GH
PARTS CATALOGUE NEWS		GD410 GD411
NEWS NO.		022

Block No.	Ref. No.	Note	Part No.	Description	Reqd. QTY				Serial No.	Parts catalogue code	
					GD410		GD411				
					(1)	(2)	(1)	(2)			
E-1	1	T	12310-ZG3-801	COVER COMP., CYLINDER HEAD (SEL)	1	(1)	-	-	-----	-----	E1, LHE, LJE, LWD, L1
					1	(1)	-	-	1001552	-----	P1, QAE, QFE, QHE, QXE, Q1, SHE, SJE, SXE, S1, VHE, VXE, V1
					1	-	1	-	-----	-----	QAAE, VAAE, VAE
					-	-	1	-	-----	-----	QAE
		T	12310-ZG3-802	.....	-	-	1	-	-----	-----	LHE, LJE, LTE, LTE1, LWD, QBE, QCAE, QHE, QHEB, QHE4, QXE, QXEB, QXE4, SBE, SHE, SHE4, SJE, SXE, SXEB, SXE4, VBE, VBEP, VHE, VXE
					-	-	-	(1)			

NOTE A:PART NO. CHANGE D:NEWLY PROVIDED E:PART NO.DELETION K:REQUIRED NO. CORRECTION L:APPLICATION SERIAL NO. CORRECTION  
T:APPLICATION CORRECTION Z:REMARKS CHANGE



# PARTS CATALOGUE NEWS

Honda Motor Co., Ltd. Service Division

## PARTS CATALOGUE - CORRECTED

Printed in Japan

CODE NO.	BOOKLET TYPE	13ZG30E8
	MICRO- FICHE	13ZG30EH/FH/GH
PARTS CATALOGUE NEWS		GD410 GD411
NEWS NO.		023

Block No.	Ref. No.	Note	Part No.	Description	Reqd. QTY				Serial No.	Parts catalogue code
					GD410		GD411			
					(1)	(2)	(1)	(2)		
E-28	3	L	87152-ZJ7-840	LABEL, SPECIFICATION (EXP-3000RPM)	-	-	-	(1)	-----	E1, Q1, S1
					-	-	-	(1)	-----	1034523 P1, V1
		L	87152-ZJ7-000	LABEL, SPECIFICATION (EXP-3600RPM)	-	(1)	-	-		
					-	-	1	(1)	-----	E1, L1, PA, PAA, PH, QA, QAA, QAAE, QAE, QCAE, QH, QHE4, QHX QXE4, Q1, SH, SHE, SX, SXE, SXEB, SXQ4, S1, VA, VAA, VAAE, VAE VH, VHE, VX
					-	-	1	(1)	-----	1034523 PX, P1, QHE, QHEB, QHQ4, QHX4, QX, QXE, QXEB, SHE4, SXE4, VXE V1
		L	87152-ZJ7-830	LABEL, SPECIFICATION (EEC) ...	-	-	1	-	-----	SBE, VB, VBB, VBEP, VBL, VGB
					-	-	1	-	-----	1034523 QB, QBE, SB, VBE, VBX, VBX1

NOTE A:PART NO. CHANGE D:NEWLY PROVIDED E:PART NO.DELETION K:REQUIRED NO. CORRECTION L:APPLICATION SERIAL NO. CORRECTION  
T:APPLICATION CORRECTION Z:REMARKS CHANGE



# PARTS CATALOGUE NEWS

Honda Motor Co., Ltd. Service Division

## PARTS CATALOGUE - CORRECTED

Printed in Japan

CODE NO.	BOOKLET TYPE	13ZG30E8
	MICRO- FICHE	13ZG30EH/FH/GH
PARTS CATALOGUE NEWS		GD410 GD411
NEWS NO.		024

Block No.	Ref. No.	Note	Part No.	Description	Reqd. QTY				Serial No.	Parts catalogue code	
					GD410		GD411				
						(1)	(2)	(1)	(2)		
E-23	19	E	31750-735-003	*PARTS NO. DELETION							
		D	31750-735-013	RECTIFIER COMP., REGULATOR (5A)	-	-	1	-	-----	-----	QHEB, QXEB, SXEB, VBEP

NOTE A:PART NO. CHANGE D:NEWLY PROVIDED E:PART NO.DELETION K:REQUIRED NO. CORRECTION L:APPLICATION SERIAL NO. CORRECTION  
T:APPLICATION CORRECTION Z:REMARKS CHANGE



# PARTS CATALOGUE NEWS

Honda Motor Co., Ltd. Service Division

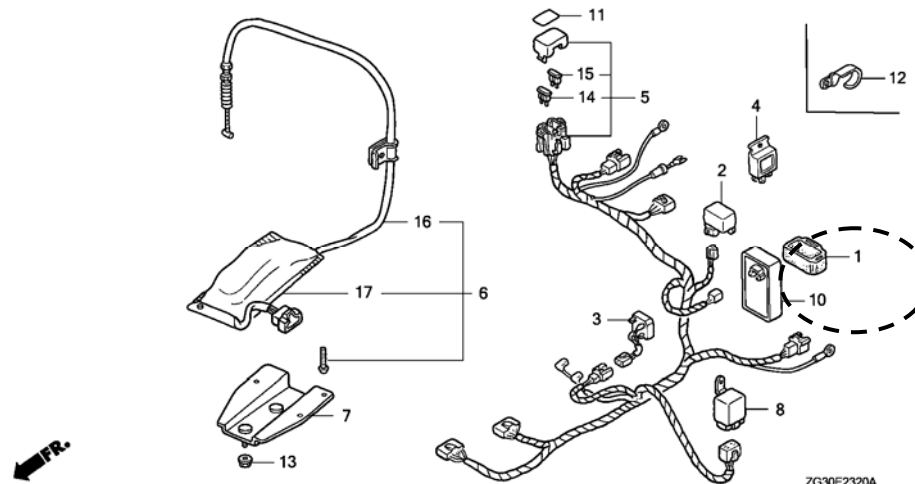
## PARTS CATALOGUE - CORRECTED

Printed in Japan

CODE NO.	BOOKLET TYPE	13ZG30E8
	MICRO-FICHE	13ZG30EH/FH/GH
PARTS CATALOGUE NEWS		GD410 GD411
NEWS NO.		025

Block No.	Ref. No.	Note	Part No.	Description	Reqd. QTY		Serial No.	Parts catalogue code
					GD410 (1) (2)	GD411 (1) (2)		

E-23-20 ENGINE STOP MOTOR/SUB WIRE HARNESS



E-23-20 9 E 38520-ZC8-003 \*PARTS NO. DELETION

NOTE A:PART NO. CHANGE D:NEWLY PROVIDED E:PART NO.DELETION K:REQUIRED NO. CORRECTION L:APPLICATION SERIAL NO. CORRECTION  
T:APPLICATION CORRECTION Z:REMARKS CHANGE





# PARTS CATALOGUE NEWS

Honda Motor Co., Ltd. Service Division

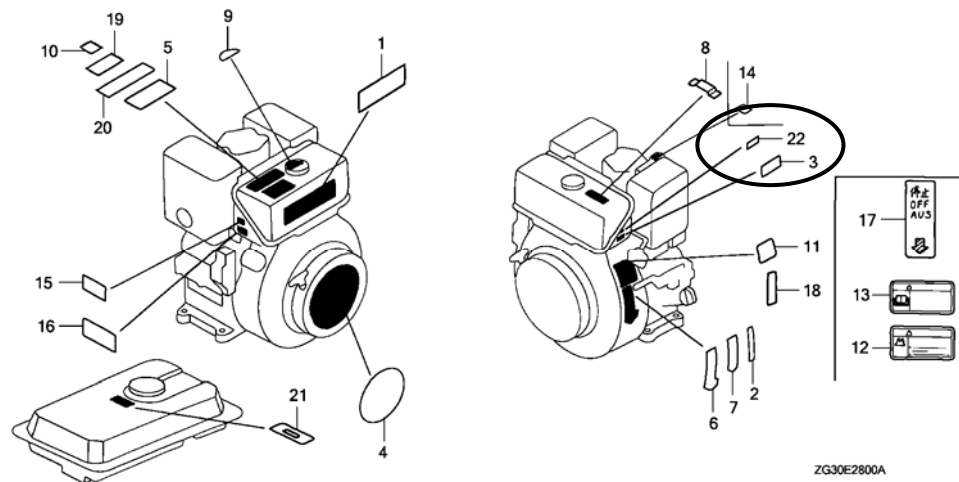
## PARTS CATALOGUE - CORRECTED

Printed in Japan

CODE NO.	BOOKLET TYPE	13ZG30E8
	MICRO-FICHE	13ZG30EH/FH/GH
PARTS CATALOGUE NEWS		GD410 GD411
NEWS NO.		026

Block No.	Ref. No.	Note	Part No.	Description	Reqd. QTY		Serial No.	Parts catalogue code
					GD410 (1) (2)	GD411 (1) (2)		

E-28 LABELS



ZG30E2800A

NOTE A:PART NO. CHANGE D:NEWLY PROVIDED E:PART NO. DELETION K:REQUIRED NO. CORRECTION L:APPLICATION SERIAL NO. CORRECTION  
T:APPLICATION CORRECTION Z:REMARKS CHANGE

PARTS CATALOGUE NEWS

BOOKNo. : 13ZG30E8

Block No.	Ref. No.	Note	Part No.	Description	Reqd. QTY				Serial No.	Parts catalogue code
					GD410 (1)	GD410 (2)	GD411 (1)	GD411 (2)		
E-28	22	D	87114-ZH7-000	LABEL, WARNING (NOT CERTIFIED FOR SALE)	-	-	1	1	1035623 -----	PX, QHE, QX, QXE, SJ, VXE, V1

NOTE A:PART NO. CHANGE D:NEWLY PROVIDED E:PART NO.DELETION K:REQUIRED NO. CORRECTION L:APPLICATION SERIAL NO. CORRECTION  
T:APPLICATION CORRECTION Z:REMARKS CHANGE